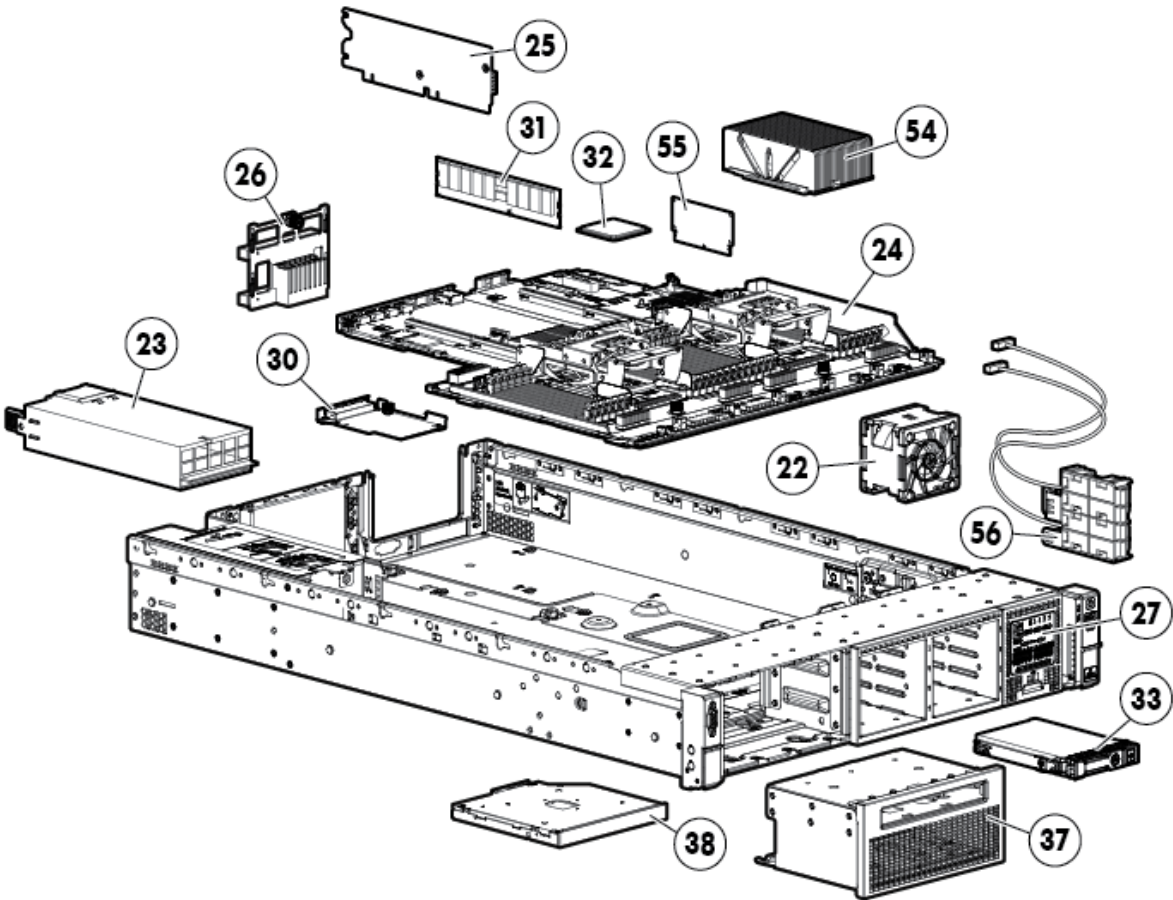


# HPE ProLiant DL380p Gen8 Server



## System components



Item	Description	Spare part number	Customer self repair
	<b>System components</b>		
22	Hot-plug fan	662520-001	Mandatory <sup>1</sup>
23	Power supplies, hot-plug	—	—
	a) 460 W, 92%	511777-001	Mandatory <sup>1</sup>
	b) 460 W, Platinum Plus, 94%*	660184-001	Mandatory <sup>1</sup>
	c) 500 W, 94%*	638549-001	Mandatory <sup>1</sup>

	d) 750 W, 94%*	674890-001	Mandatory <sup>1</sup>
	e) 750 W, Titanium, 96%*	700287-001	Mandatory <sup>1</sup>
	f) 750 W, 92%*	511778-001	Mandatory <sup>1</sup>
	g) 750 W, Platinum Plus, 94%*	660183-001	Mandatory <sup>1</sup>
	h) 750 W 48V DC, 92%*	639173-001	Mandatory <sup>1</sup>
	i) 1200 W, 91%*	714349-001	Mandatory <sup>1</sup>
	j) 1200 W, 92%*	704603-001	Mandatory <sup>1</sup>
	k) 1200 W, Platinum Plus, 94%*	660185-001	Mandatory <sup>1</sup>
	<b>Boards</b>		
24	System board assemblies	—	—
	System board assembly	662530-001	Optional <sup>2</sup>
	System board assembly-IVB	732143-001	Optional <sup>2</sup>
25	Riser boards	—	—
	a) PCIe riser board, standard 3-slot	662524-001	Optional <sup>2</sup>
	b) PCIe riser board, optional 2-slot*	662525-001	Optional <sup>2</sup>
26	Power supply backplane	662528-001	Mandatory <sup>1</sup>
27	Systems Insight Display subassembly, LFF, with cables	662515-001	Optional <sup>2</sup>
28	Systems Insight Display subassembly, SFF, with cables*	662516-001	Optional <sup>2</sup>
29	HP Trusted Platform Module*	505836-001	No <sup>3</sup>
30	FlexibleLOM	—	—
	a) HP 1GbE 4-port, 331FLR Adapter FIO Kit	634025-001	Mandatory <sup>1</sup>
	b) HP 10GbE 2-port, 530FLR Adapter FIO Kit*	649869-001	Mandatory <sup>1</sup>
	c) HP Ff 10Gb 2-port, 554FLR-SFP+ Adapter FIO Kit*	634026-001	Mandatory <sup>1</sup>
	d) HP InfiniBand FDR/EN 10/40Gb 2-port, 544FLR-QSFP Adapter*	656090-001	Mandatory <sup>1</sup>
	e) HP InfiniBand QDR/EN 10Gb 2-port, 544FLR-QSFP Adapter*	656091-001	Mandatory <sup>1</sup>
	<b>Memory</b>		
31	DIMMs	—	—
	a) 2-GB, PC3L-10600E-9, single-rank x8	664694-001	Mandatory <sup>1</sup>

	b) 2-GB, PC3-14900E, single-rank x8*	715269-001	Mandatory <sup>1</sup>
	c) 2-GB, PC3L-12800E, single-rank x8*	715279-001	Mandatory <sup>1</sup>
	d) 4-GB, PC3-12800R-11, single-rank x4*	664689-001	Mandatory <sup>1</sup>
	e) 4-GB, PC3L-10600R-9, single-rank x4*	664688-001	Mandatory <sup>1</sup>
	f) 4-GB, PC3-14900E, single-rank x8*	715270-001	Mandatory <sup>1</sup>
	g) 4-GB, PC3L-10600E-9, dual-rank x8*	664695-001	Mandatory <sup>1</sup>
	h) 4-GB, PC3-14900R, dual-rank x4*	715272-001	Mandatory <sup>1</sup>
	i) 4-GB, PC3L-12800E, single-rank x8*	715280-001	Mandatory <sup>1</sup>
	j) 4-GB, PC3L 12800R, dual-rank x4*	715282-001	Mandatory <sup>1</sup>
	k) 8-GB, PC3-12800R-1, single-rank x4*	664691-001	Mandatory <sup>1</sup>
	l) 8-GB, PC3L-10600R-9, dual-rank x4*	664690-001	Mandatory <sup>1</sup>
	m) 8-GB, PC3L-10600E-9, dual-rank x8*	664696-001	Mandatory <sup>1</sup>
	n) 8-GB, PC3-14900E, dual-rank x8*	715271-001	Mandatory <sup>1</sup>
	o) 8-GB, PC3-14900R, dual-rank x4*	715273-001	Mandatory <sup>1</sup>
	p) 8-GB, PC3L-12800E, dual-rank x8*	715281-001	Mandatory <sup>1</sup>
	q) 8-GB, PC3L-12800R, dual-rank x4*	715283-001	Mandatory <sup>1</sup>
	r) 8-GB, PC3L-12800R, single-rank x4*	735302-001	Mandatory <sup>1</sup>
	s) 8-GB, PC3L-14900R, single-rank x4*	735303-001	Mandatory <sup>1</sup>
	t) 16-GB, PC3-12800R-11, dual-rank x4*	684031-001	Mandatory <sup>1</sup>
	u) 16-GB, PC3L-10600R-9, dual-rank x4*	664692-001	Mandatory <sup>1</sup>
	v) 16-GB, PC3-14900R, quad-rank x4*	715274-001	Mandatory <sup>1</sup>
	w) 16-GB, PC3L-12800R, quad-rank x4*	715284-001	Mandatory <sup>1</sup>
	x) 16-GB 2Rx4 PC3-10600H-9 HC FIO kit*	684032-001	Mandatory <sup>1</sup>
	y) 24-GB, PC3L-12800R, quad-rank x4*	718689-001	Mandatory <sup>1</sup>
	z) 32-GB, PC3L-10600L-9, quad-rank x4*	664693-001	Mandatory <sup>1</sup>
32	Processors**	—	—

	a) 1.80-GHz Intel Xeon processor E5-2603, 80W	670533-001	Optional <sup>2</sup>
	b) 1.80-GHz Intel Xeon processor E5-2603v2, 80W*	730243-001	Optional <sup>2</sup>
	c) 2.40-GHz Intel Xeon processor E5-2609, 80W*	670530-001	Optional <sup>2</sup>
	d) 2.5-GHz Intel Xeon processor E5-2609v2, 80W*	730242-001	Optional <sup>2</sup>
	e) 2.00-GHz Intel Xeon processor E5-2620, 95W*	670529-001	Optional <sup>2</sup>
	f) 2.1-GHz Intel Xeon processor E5-2620v2, 80W*	730241-001	Optional <sup>2</sup>
	g) 2.00-GHz Intel Xeon processor E5-2630L, 60W*	670535-001	Optional <sup>2</sup>
	h) 2.40-GHz Intel Xeon processor E5-2630Lv2, 60W*	730244-001	Optional <sup>2</sup>
	i) 2.30-GHz Intel Xeon processor E5-2630, 95W*	670528-001	Optional <sup>2</sup>
	j) 2.6-GHz Intel Xeon processor E5-2630v2, 80W*	730240-001	Optional <sup>2</sup>
	k) 3.00-GHz Intel Xeon processor E5-2637, 80W*	670539-001	Optional <sup>2</sup>
	l) 3.5-GHz Intel Xeon processor E5-2637v2, 130W*	730249-001	Optional <sup>2</sup>
	m) 2.50-GHz Intel Xeon processor E5-2640, 95W*	670527-001	Optional <sup>2</sup>
	n) 2.0-GHz Intel Xeon processor E5-2640v2, 95W*	730239-001	Optional <sup>2</sup>
	o) 3.30-GHz Intel Xeon processor E5-2643, 130W*	670538-001	Optional <sup>2</sup>
	p) 3.3-GHz Intel Xeon processor E5-2643v2, 130W*	730248-001	Optional <sup>2</sup>
	q) 1.8-GHz Intel Xeon processor E5-2648L, 70W*	672335-001	Optional <sup>2</sup>
	r) 1.80-GHz Intel Xeon processor E5-2650L, 70W*	670534-001	Optional <sup>2</sup>
	s) 1.7-GHz Intel Xeon processor E5-2650Lv2, 70W*	730250-001	Optional <sup>2</sup>
	t) 2.00-GHz Intel Xeon processor E5-2650, 95W*	670526-001	Optional <sup>2</sup>
	u) 2.6-GHz Intel Xeon processor E5-2650v2, 95W*	730238-001	Optional <sup>2</sup>

	v) 2.1-GHz Intel Xeon processor E5-2658, 95W*	672336-001	Optional <sup>2</sup>
	w) 2.20-GHz Intel Xeon processor E5-2660, 95W*	670525-001	Optional <sup>2</sup>
	x) 2.2-GHz Intel Xeon processor E5-2660v2, 95W*	730237-001	Optional <sup>2</sup>
	y) 2.40-GHz Intel Xeon processor E5-2665, 115W*	670524-001	Optional <sup>2</sup>
	z) 2.90-GHz Intel Xeon processor E5-2667, 130W*	670537-001	Optional <sup>2</sup>
	aa) 3.0-GHz Intel Xeon processor E5-2667v2, 130W*	730247-001	Optional <sup>2</sup>
	bb) 2.60-GHz Intel Xeon processor E5-2670, 115W*	670523-001	Optional <sup>2</sup>
	cc) 2.5-GHz Intel Xeon processor E5-2670v2, 115W*	730236-001	Optional <sup>2</sup>
	dd) 2.70-GHz Intel Xeon processor E5-2680, 130W*	670522-001	Optional <sup>2</sup>
	ee) 2.8-GHz Intel Xeon processor E5-2680v2, 115W*	730235-001	Optional <sup>2</sup>
	ff) 2.90-GHz Intel Xeon processor E5-2690, 135W*	670521-001	Optional <sup>2</sup>
	gg) 3.0-GHz Intel Xeon processor E5-2690v2, 130W*	730234-001	Optional <sup>2</sup>
	hh) 2.4-GHz Intel Xeon processor E52695v2, 115W*	730246-001	Optional <sup>2</sup>
	ii) 2.7-GHz Intel Xeon processor E5-2697v2, 130W*	730245-001	Optional <sup>2</sup>
	<b>Drives</b>		
33	Hot-plug SATA	—	—
	a) 500-GB, 7,200-rpm, LFF, 6G	658103-001	Mandatory <sup>1</sup>
	b) 1-TB, 7,200-rpm, LFF, 6G*	657739-001	Mandatory <sup>1</sup>
	c) 2-TB, 7,200-rpm, LFF, 6G*	658102-001	Mandatory <sup>1</sup>
	d) 3-TB, 7,200-rpm, LFF, 6G*	628182-001	Mandatory <sup>1</sup>
	e) 500-GB, 7,200-rpm, SFF, 6G*	656107-001	Mandatory <sup>1</sup>
	f) 1-TB, 7,200-rpm, SFF, 6G*	656108-001	Mandatory <sup>1</sup>
34	Hot-plug SAS*	—	—
	a) 2-TB, 7,200-rpm, LFF, 6G, dual port	653948-001	Mandatory <sup>1</sup>
	b) 3-TB, 7,200-rpm, LFF, 6G, dual port	653959-001	Mandatory <sup>1</sup>

	c) 300-GB, 10,000-rpm, SFF, 6G, dual port	653955-001	Mandatory <sup>1</sup>
	d) 450-GB, 10,000-rpm, SFF, 6G, dual port	653956-001	Mandatory <sup>1</sup>
	e) 600-GB, 10,000-rpm, SFF, 6G, dual port	653957-001	Mandatory <sup>1</sup>
	f) 900-GB, 10,000-rpm, SFF, 6G, dual port	653971-001	Mandatory <sup>1</sup>
	g) 72-GB, 15,000-rpm, SFF, 6G, dual port	653949-001	Mandatory <sup>1</sup>
	h) 146-GB, 15,000-rpm, SFF, 6G, dual port	653950-001	Mandatory <sup>1</sup>
	i) 300-GB, 15,000-rpm, SFF, 6G, dual port	653960-001	Mandatory <sup>1</sup>
	j) 450-GB, 15,000-rpm, LFF, 6G, dual port	653951-001	Mandatory <sup>1</sup>
	k) 600-GB, 15,000-rpm, LFF, 6G, dual port	653952-001	Mandatory <sup>1</sup>
	l) 500-GB, 7,200-rpm, SFF, 6G, dual port	653953-001	Mandatory <sup>1</sup>
	m) 1-TB, 7,200-rpm, SFF, 6G, dual port	653954-001	Mandatory <sup>1</sup>
	n) 1-TB, 7,200-rpm, LFF, 6G, dual port	653947-001	Mandatory <sup>1</sup>
35	Hot-plug solid state SATA*	—	—
	a) 100-GB, SFF, MLC, 3G	653965-001	Mandatory <sup>1</sup>
	b) 200-GB, SFF, MLC, 3G	653966-001	Mandatory <sup>1</sup>
	c) 400-GB, SFF, MLC, 3G	653967-001	Mandatory <sup>1</sup>
	d) 100-GB, LFF, MLC, 3G	653968-001	Mandatory <sup>1</sup>
	e) 200-GB, LFF, MLC, 3G	653969-001	Mandatory <sup>1</sup>
	f) 400-GB, LFF, MLC, 3G	653970-001	Mandatory <sup>1</sup>
36	Hot-plug solid state SAS*	—	—
	a) 200-GB, SFF, SLC	653961-001	Mandatory <sup>1</sup>
	b) 400-GB, SFF, SLC	653962-001	Mandatory <sup>1</sup>
	c) 400-GB, SFF, MLC	653963-001	Mandatory <sup>1</sup>
	d) 800-GB, SFF, MLC	653964-001	Mandatory <sup>1</sup>
	<b>Optical drives</b>		
37	Optical drive module	675601-001	Mandatory <sup>1</sup>
38	Slimline 8x/24x DVD-ROM drive	652294-001	Mandatory <sup>1</sup>

39	Slimline 8x DVD+R/RW drive*	652295-001	Mandatory <sup>1</sup>
40	Optical drive bracket	532475-001	Mandatory <sup>1</sup>
	<b>Cables</b>		
41	8 LFF ribbon Mini-SAS storage cable*	675609-001	Mandatory <sup>1</sup>
42	8 or 16 SFF ribbon Mini-SAS storage cable*	675610-001	Mandatory <sup>1</sup>
43	Miscellaneous cable kit*	725768-001	Mandatory <sup>1</sup>
	a) 25 SFF Mini-SAS SR cable	—	—
	b) 12 LFF Mini-SAS SR cable	—	—
	c) 12 LFF/25 SFF power cable	—	—
44	8 or 16 SFF Mini-SAS hard drive backplane to storage card*	675611-001	Mandatory <sup>1</sup>
45	8 LFF drive cage data cable*	733716-001	Mandatory <sup>1</sup>
46	12 LFF drive cage data cable*	733717-001	Mandatory <sup>1</sup>
47	25 SFF drive cage data cable*	733718-001	Mandatory <sup>1</sup>
48	8 or 16 SFF drive cage data cable kit*	733719-001	Mandatory <sup>1</sup>
49	8 LFF power cable*	675612-001	Mandatory <sup>1</sup>
50	8 SFF power cable*	675613-001	Mandatory <sup>1</sup>
51	Slim SATA cable*	675614-001	Mandatory <sup>1</sup>
52	FBWC cable*	681908-001	Mandatory <sup>1</sup>
	<b>Battery</b>	—	—
53	System battery, 3.3-V, lithium*	153099-001	Mandatory <sup>1</sup>
	<b>Heatsink</b>	—	—
54	Standard efficiency heatsink	662522-001	Optional <sup>2</sup>
	<b>Controller option</b>	—	—
55	FBWC cache module	—	—
	a) 512-MB cache	633540-001	Optional <sup>2</sup>
	b) 1-GB cache*	633542-001	Optional <sup>2</sup>
	c) 2-GB cache*	633543-001	Optional <sup>2</sup>
56	FBWC capacitor pack, with cable	660093-001	Optional <sup>2</sup>

\*Not shown

\*\*All processors in this HP ProLiant server must have the same cache size, speed, number of cores, and rated maximum power consumption.

<sup>1</sup>Mandatory—Parts for which customer self repair is mandatory. If you request HP to replace these parts, you will be charged for the travel and labor costs of this service.

<sup>2</sup>Optional—Parts for which customer self repair is optional. These parts are also designed for customer self repair. If, however, you require that HP replace them for you, there may or may not be additional charges, depending on the type of warranty service designated for your product.

<sup>3</sup>No—Some HP parts are not designed for customer self repair. In order to satisfy the customer warranty, HP requires that an authorized service provider replace the part. These parts are identified as "No" in the Illustrated Parts Catalog.