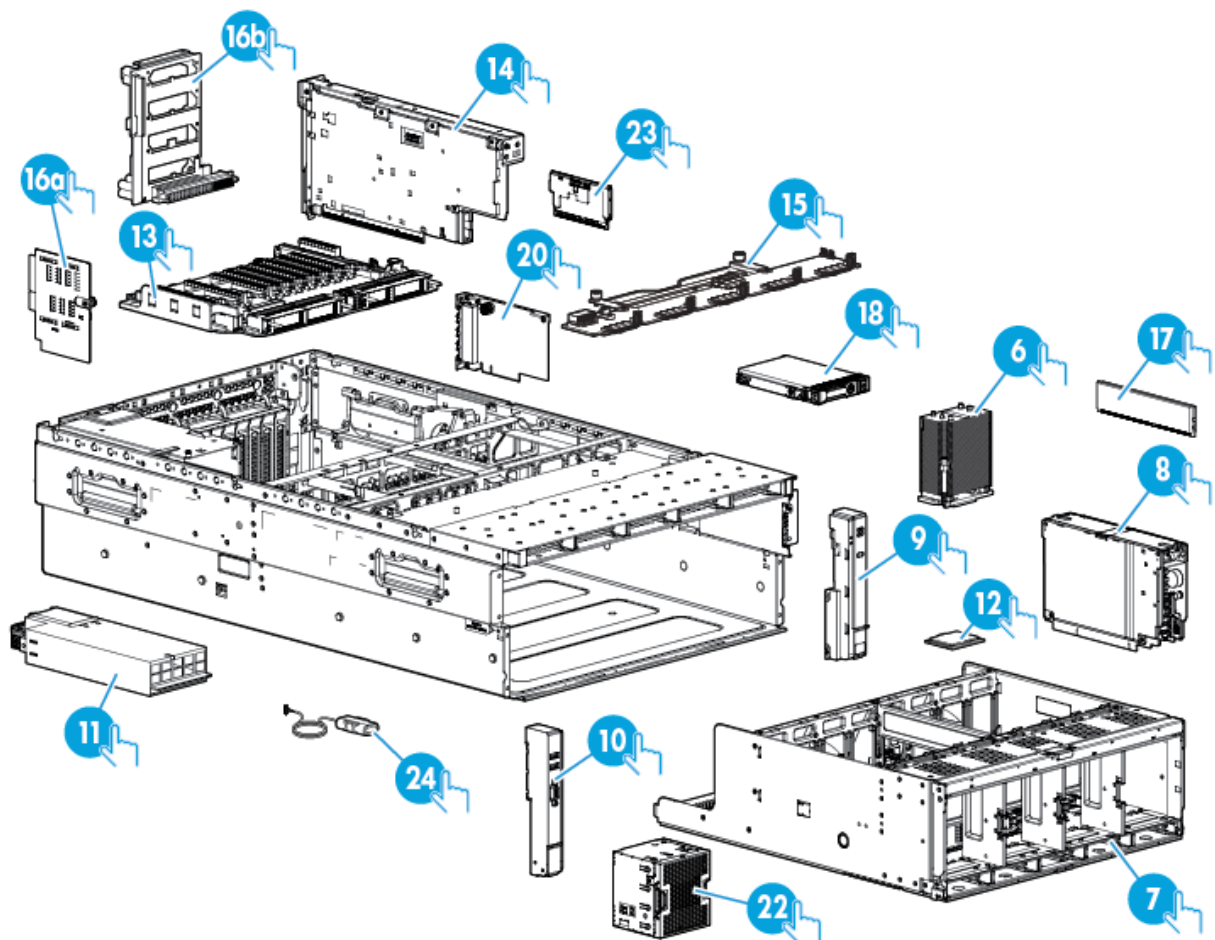


# HPE ProLiant DL580 Gen8 Server



## System components



Item	Description	Spare part number	Customer self repair
6	Heatsink	735514-001	Optional <sup>2</sup>
7	Processor memory drawer	735518-001	Optional <sup>2</sup>
8	Memory cartridge	735522-001	Optional <sup>2</sup>
9	Power/UID assembly (right ear bezel)	735523-001	Optional <sup>2</sup>
10	Video/USB assembly (left ear bezel)	735525-001	Optional <sup>2</sup>
11	Power supplies	—	—
	a. HP 1200 W power supply, 230 V (94% efficiency)**	748896-001	Mandatory <sup>1</sup>
	b. HP 1200 W power supply, 12 V (94% efficiency)*	660185-001	Mandatory <sup>1</sup>

	c. HP 1500 W power supply (94% efficiency)*	704604-001	Mandatory <sup>1</sup>
12	Processors	—	—
	a. Intel Xeon E7-8880Lv2 (2.2GHz/15-core/37.5MB/105W) Processor	734144-001	Optional <sup>2</sup>
	b. Intel Xeon E7-4890v2 (2.8GHz/15-core/37.5MB/155W) Processor*	734145-001	Optional <sup>2</sup>
	c. Intel Xeon E7-4880v2 (2.5GHz/15-core/37.5MB/130W) Processor*	734146-001	Optional <sup>2</sup>
	d. Intel Xeon E7-4870v2 (2.3GHz/15-core/30MB/130W) Processor*	734147-001	Optional <sup>2</sup>
	e. Intel Xeon E7-8857v2 (3.0GHz/12-core/30MB/130W) Processor*	734148-001	Optional <sup>2</sup>
	f. Intel Xeon E7-4860v2 (2.6GHz/12-core/30MB/130W) Processor*	734149-001	Optional <sup>2</sup>
	g. Intel Xeon E7-4850v2 (2.3GHz/12-core/24MB/105W) Processor*	734150-001	Optional <sup>2</sup>
	h. Intel Xeon E7-8891v2 (3.2GHz/10-core/37.5MB/155W) Processor*	734151-001	Optional <sup>2</sup>
	i. Intel Xeon E7-4830v2 (2.2GHz/10-core/20MB/105W) Processor*	734152-001	Optional <sup>2</sup>
	j. Intel Xeon E7-4820v2 (2.0GHz/8-core/16MB/105W) Processor*	734153-001	Optional <sup>2</sup>
	k. Intel Xeon E7-8893v2 (3.4GHz/6-core/37.5MB/155W) Processor*	734154-001	Optional <sup>2</sup>
	l. Intel Xeon E7-4809v2 (1.9GHz/6-core/12MB/105W) Processor*	734155-001	Optional <sup>2</sup>
	<b>Boards</b>		
13	I/O board	735511-001	Optional <sup>2</sup>
14	SPI board	735512-001	Optional <sup>2</sup>
15	Top SAS backplane	735520-001	Optional <sup>2</sup>
16	Power backplane assembly	735526-001	—
	a. Power daughter board	—	Optional <sup>2</sup>
	b. Power supply backplane	—	Optional <sup>2</sup>
17	DIMMs	—	—
	a. 4-GB, Single Rank x4 PC3L-12800R (DDR3-1600)	715282-001	Mandatory <sup>1</sup>
	b. 8-GB, Dual Rank x4 PC3L-12800R (DDR3-1600)	715283-001	Mandatory <sup>1</sup>
	c. 16-GB, Dual Rank x4 PC3L-12800R (DDR3-1600)	715284-001	Mandatory <sup>1</sup>
	d. 4-GB, Single Rank x4 PC3-14900R (DDR3-1866)	715272-001	Mandatory <sup>1</sup>
	e. 8-GB, Dual Rank x4 PC3-14900R (DDR3-1866)	715273-001	Mandatory <sup>1</sup>
	f. 16-GB, Dual Rank x4 PC3-14900R (DDR3-1866)	715274-001	Mandatory <sup>1</sup>
	g. 32-GB, Quad Rank x4 PC3-14900L (DDR3-1866)	715275-001	Mandatory <sup>1</sup>
	<b>Drives</b>		
18	Hard drives	—	—
	a. 1.2 TB SAS, SFF, 6G, 10,000-rpm	718292-001	Mandatory <sup>1</sup>
	b. 1.2 TB SAS, SFF, 6G, 10,000-rpm*	697631-001	Mandatory <sup>1</sup>
	c. 900 GB SAS, SFF, 6G 10,000-rpm*	653971-001	Mandatory <sup>1</sup>
	d. 600 GB SAS, SFF, 6G 10,000-rpm*	653957-001	Mandatory <sup>1</sup>
	e. 450 GB SAS, SFF, 6G 10,000-rpm*	653956-001	Mandatory <sup>1</sup>
	f. 300 GB SAS, SFF, 6G 10,000-rpm*	653955-001	Mandatory <sup>1</sup>
	g. 300 GB SAS, SFF, 6G 15,000-rpm*	653960-001	Mandatory <sup>1</sup>

	h. 146 GB SAS, SFF, 6G, 15,000-rpm*	653950-001	Mandatory <sup>1</sup>
	i. 1 TB SAS, SFF, 6G, 7,200-rpm*	653954-001	Mandatory <sup>1</sup>
	j. 500 GB SAS, SFF, 6G, 7,200-rpm*	653953-001	Mandatory <sup>1</sup>
19	Solid state drives*	—	—
	a. 120-GB, SATA, SFF, 6G	718136-001	Mandatory <sup>1</sup>
	b. 80-GB, SATA, SFF, 6G	734562-001	Mandatory <sup>1</sup>
	c. 800-GB, SATA, SFF, 6G	718139-001	Mandatory <sup>1</sup>
	d. 480-GB, SATA, SFF, 6G	718138-001	Mandatory <sup>1</sup>
	e. 600-GB, SATA, SFF, 6G	739959-001	Mandatory <sup>1</sup>
	f. 300-GB, SATA, SFF, 6G	739954-001	Mandatory <sup>1</sup>
	g. 240-GB, SATA, SFF, 6G	718137-001	Mandatory <sup>1</sup>
	h. 800-GB, SATA, SFF, 6G	692167-001	Mandatory <sup>1</sup>
	i. 400-GB, SATA, SFF, 6G	692166-001	Mandatory <sup>1</sup>
	j. 200-GB, SATA, SFF, 6G	692165-001	Mandatory <sup>1</sup>
	k. 100-GB, SATA, SFF, 6G	692164-001	Mandatory <sup>1</sup>
	l. 800-GB, SAS, SFF, 6G	691027-001	Mandatory <sup>1</sup>
	m. 400-GB, SAS, SFF, 6G	691026-001	Mandatory <sup>1</sup>
	n. 200-GB, SAS, SFF, 6G	691025-001	Mandatory <sup>1</sup>
	<b>FlexibleLOM</b>		
20	1G Ethernet adapter	634025-001	Optional <sup>2</sup>
21	10G Ethernet adapter*	649869-001	Optional <sup>2</sup>
	<b>Fans</b>		
22	Fan	735513-001	Mandatory <sup>1</sup>
	<b>Options</b>		
23	Cache module*	—	—
	a. FBWC module, 1-GB	633542-001	Optional <sup>2</sup>
	b. FBWC module, 2-GB	633543-001	Optional <sup>2</sup>
	c. SPS-BD SA 244P Cache Module 4Gx72 1866	729639-001	Optional <sup>2</sup>
24	Capacitor pack	660093-001	Optional <sup>2</sup>
25	Trusted platform module*	450168-001	No <sup>3</sup>
	<b>Cables</b>		
26	Cable kit*	735515-001	Mandatory <sup>1</sup>
	a. USB/Video cable	—	—
	b. 6-position power cable	—	—
	c. 10-position power cable	—	—
	d. 12-position power cable	—	—
	e. Power/UID cable	—	—
	f. Mini-SAS cable (I/O board)	—	—
	g. Mini-SAS cable (SPI board to top SAS backplane)	—	—
	h. Fan power cable	—	—
	i. Discovery services cable	—	—
	<b>Miscellaneous</b>		
27	Battery, 3V, lithium*	153099-001	Mandatory <sup>1</sup>

\*Not shown

\*\*Available only in select regions

<sup>1</sup>Mandatory—Parts for which customer self repair is mandatory. If you request HP to replace these parts, you will be charged for the travel and labor costs of this service.

<sup>2</sup>Optional—Parts for which customer self repair is optional. These parts are also designed for customer self repair. If, however, you require that HP replace them for you, there may or may not be additional charges, depending on the type of warranty service designated for your product.

<sup>3</sup>No—Some HP parts are not designed for customer self repair. In order to satisfy the customer warranty, HP requires that an authorized service provider replace the part. These parts are identified as "No" in the Illustrated Parts Catalog.