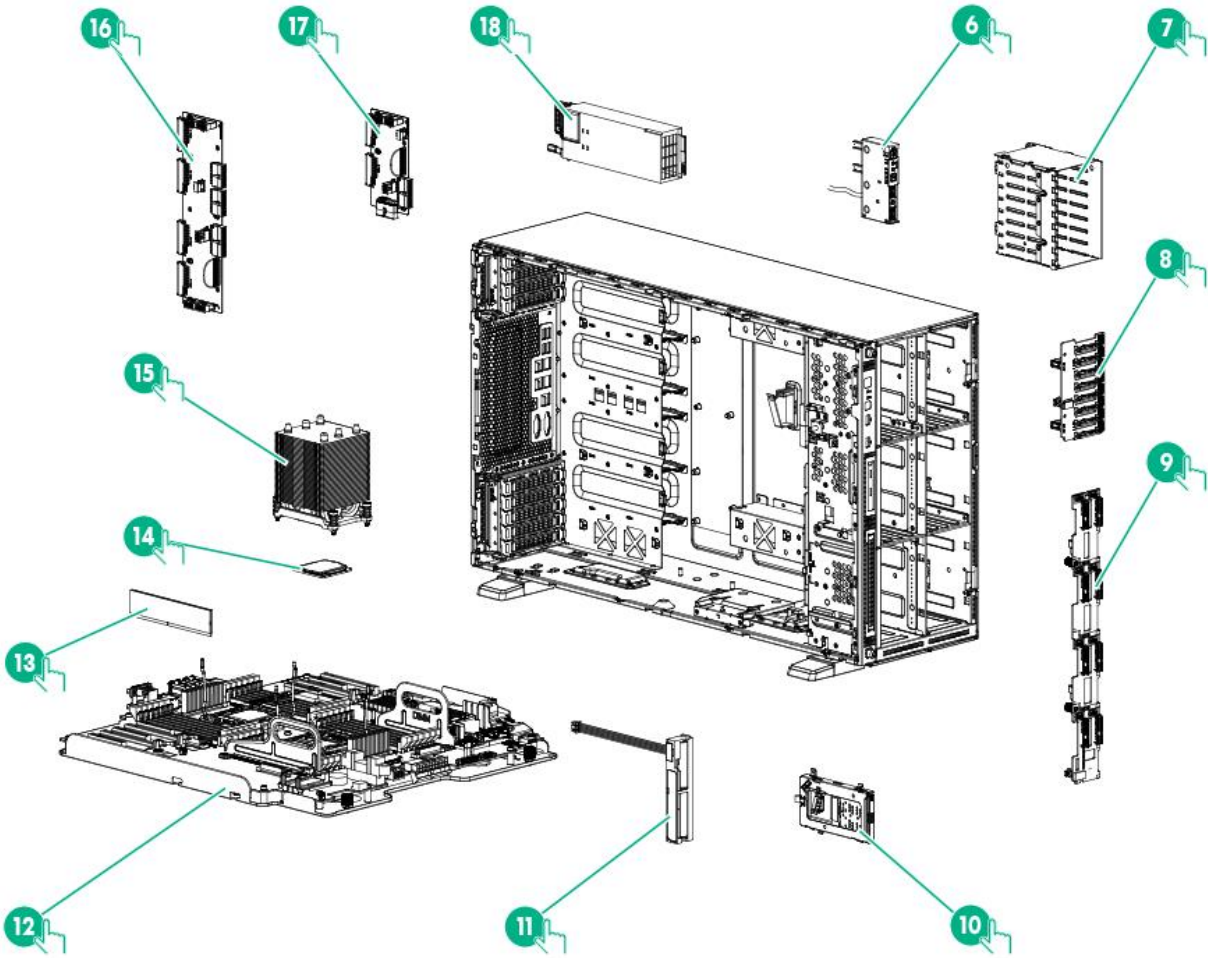


# HPE ProLiant ML350 Gen9 Server



## System components



Item	Description	Spare part number	Customer self repair
6	Front I/O module assembly	780990-001	Optional <sup>2</sup>
7	8-SFF hot-plug drive cage	780971-001	Optional <sup>2</sup>

8	8-SFF drive cage backplane	777279-001	Optional <sup>2</sup>
9	8-LFF drive cage backplane	779083-001	Optional <sup>2</sup>
10	Systems Insight Display	780970-001	Optional <sup>2</sup>
11	96 W Smart Storage Battery with 145 mm cable	815983-001	Mandatory <sup>1</sup>
12	System board assembly (includes alcohol pad and thermal compound)	—	—
	a) System board for Intel Xeon E5-2600 v3 processors	780967-001	Optional <sup>2</sup>
	b) System board for Intel Xeon E5-2600 v3 and v4 processors*	841389-001	Optional <sup>2</sup>
13	<b>DIMMs</b>	—	—
	<b>DIMMs optimized for Intel Xeon E5-2600 v3 processors</b>	—	—
	a) 8 GB, single rank, x4, PC4-2133R-15	774170-001	Mandatory <sup>1</sup>
	b) 16 GB, dual rank, x4, PC4-2133R-15*	774172-001	Mandatory <sup>1</sup>
	<b>DIMMs optimized for Intel Xeon E5-2600 v4 processors</b>	—	—
	a) 8 GB, single-rank x4 PC4-2400T-R*	819410-001	Mandatory <sup>1</sup>
	b) 16 GB, single-rank x8 PC4-2400T-R*	819411-001	Mandatory <sup>1</sup>
14	<b>Processors**</b>	—	—
	<b>Intel Xeon E5 v3 processors</b>	—	—
	a) 1.5 GHz Intel Xeon E5-2630Lv3 processor	781001-001	Optional <sup>2</sup>
	b) 1.8 GHz Intel Xeon E5-2650Lv3 processor*	780999-001	Optional <sup>2</sup>
	c) 1.8 GHz Intel Xeon E5-2603v3 processor*	762441-001	Optional <sup>2</sup>
	d) 2.0 GHz Intel Xeon E5-2609v3 processor*	762443-001	Optional <sup>2</sup>
	e) 2.0 GHz Intel Xeon E5-2683v3 processor*	780981-001	Optional <sup>2</sup>
	f) 2.2 GHz Intel Xeon E5-2640v3 processor*	780988-001	Optional <sup>2</sup>
	g) 2.3 GHz Intel Xeon E5-2620v3 processor*	762445-001	Optional <sup>2</sup>
	h) 2.3 GHz Intel Xeon E5-2695v3 processor*	780980-001	Optional <sup>2</sup>
	i) 2.3 GHz Intel Xeon E5-2698v3 processor*	781000-001	Optional <sup>2</sup>
	j) 2.4 GHz Intel Xeon E5-2650v3 processor*	780986-001	Optional <sup>2</sup>
	k) 2.4 GHz Intel Xeon E5-2670v3 processor*	780984-001	Optional <sup>2</sup>
	l) 2.6 GHz Intel Xeon E5-2680v3 processor*	780983-001	Optional <sup>2</sup>
	m) 2.6 GHz Intel Xeon E5-2660v3 processor*	780985-001	Optional <sup>2</sup>
	n) 2.6 GHz Intel Xeon E5-2630v3 processor*	762446-001	Optional <sup>2</sup>
	o) 2.8 GHz Intel Xeon E5-2690v3 processor*	780982-001	Optional <sup>2</sup>
	p) 2.8 GHz Intel Xeon E5-2697v3 processor	780979-001	Optional <sup>2</sup>

	q) 3.0 GHz Intel Xeon E5-2623v3 processor*	780762-001	Optional <sup>2</sup>
	r) 3.3 GHz Intel Xeon E5-2667v3 processor*	780996-001	Optional <sup>2</sup>
	s) 3.3 GHz Intel Xeon E5-2643v3 processor*	780997-001	Optional <sup>2</sup>
	t) 3.5 GHz Intel Xeon E5-2637v3 processor*	780998-001	Optional <sup>2</sup>
	u) 3.5 GHz Intel Xeon E5-2637v3 processor*	780762-001	Optional <sup>2</sup>
	<b>Intel Xeon E5 v4 processors</b>	—	—
	a) 1.70 GHz Intel Xeon E5-2603 v4, 6C, 85 W*	835599-001	Optional <sup>2</sup>
	b) 1.70 GHz Intel Xeon E5-2609 v4, 8C, 85 W*	835600-001	Optional <sup>2</sup>
	c) 1.70 GHz Intel Xeon E5-2650L v4, 14C, 65 W*	835609-001	Optional <sup>2</sup>
	d) 1.80 GHz Intel Xeon E5-2630L v4, 10C, 55 W*	835608-001	Optional <sup>2</sup>
	e) 2.00 GHz Intel Xeon E5-2660 v4, 14C, 105 W*	835605-001	Optional <sup>2</sup>
	f) 2.10 GHz Intel Xeon E5-2620 v4, 8C, 85 W*	835601-001	Optional <sup>2</sup>
	g) 2.10 GHz Intel Xeon E5-2683 v4, 16C, 120 W*	835614-001	Optional <sup>2</sup>
	h) 2.10 GHz Intel Xeon E5-2695 v4, 18C, 120 W*	835615-001	Optional <sup>2</sup>
	i) 2.20 GHz Intel Xeon E5-2630 v4, 10C, 85 W*	835602-001	Optional <sup>2</sup>
	j) 2.20 GHz Intel Xeon E5-2650 v4, 12C, 105 W*	835604-001	Optional <sup>2</sup>
	k) 2.20 GHz Intel Xeon E5-2697A v4, 16c, 145 W*	841035-001	Optional <sup>2</sup>
	l) 2.20 GHz Intel Xeon E5-2698 v4, 20c, 135 W*	835617-001	Optional <sup>2</sup>
	m) 2.20 GHz Intel Xeon E5-2699 v4, 22c, 145 W*	835618-001	Optional <sup>2</sup>
	n) 2.30 GHz Intel Xeon E5-2697 v4, 18c, 145 W*	835616-001	Optional <sup>2</sup>
	o) 2.40 GHz Intel Xeon E5-2680 v4, 14C, 120 W*	835606-001	Optional <sup>2</sup>
	p) 2.60 GHz Intel Xeon E5-2623 v4, 4C, 85 W*	835610-001	Optional <sup>2</sup>
	q) 2.60 GHz Intel Xeon E5 2690 v4, 14c, 135 W	835607-001	Optional <sup>2</sup>
	r) 2.90 GHz Intel Xeon E5-2667 v4, 8c, 135 W*	835613-001	Optional <sup>2</sup>
	s) 3.20 GHz, Intel Xeon E5-2643 v4, 6c, 135W*	835612-001	Optional <sup>2</sup>
	t) 3.40 GHz Intel Xeon E5-2637 v4, 4c, 135 W*	835611-001	Optional <sup>2</sup>
15	Heatsink	780977-001	Optional <sup>2</sup>
16	x4-slot power supply backplane	780969-001	Optional <sup>2</sup>
17	x2-slot power supply backplane	780968-001	Optional <sup>2</sup>
18	<b>Power supplies</b>	—	—

	a) 500W Flex Slot Platinum hot-plug power supply	754377-001	Mandatory <sup>1</sup>
	b) 800W Flex Slot Platinum hot-plug power supply*	754381-001	Mandatory <sup>1</sup>
	c) 800W Flex Slot Universal hot-plug power supply*	754379-001	Mandatory <sup>1</sup>
	d) 800W Flex Slot -48VDC hot-plug power supply*	754382-001	Mandatory <sup>1</sup>
	e) 800W Flex Slot Titanium hot-plug power supply*	754378-001	Mandatory <sup>1</sup>
	f) 1400W Flex Slot Platinum hot-plug power supply*	754383-001	Mandatory <sup>1</sup>
19	System battery*	319603-001	Mandatory <sup>1</sup>
20	Flash USB kits	—	—
	a) 8 GB Enterprise Midline Flash USB kit*	743503-001	Mandatory <sup>1</sup>
	b) 8 GB microSD Enterprise Midline Flash USB kit*	738576-001	Mandatory <sup>1</sup>
21	SSD M.2 modules	—	—
	a) PCI riser with one 120 GB SSD M.2 module and SATA cable	797907-001	—
	b) PCI riser with two 120 GB SSD M.2 module and SATA cables	797908-001	—
	<b>Cables</b>	—	—
22	Mini-SAS cable kit	780991-001	Optional <sup>2</sup>
	a) 4 SFF mini-SAS cable*	—	—
	b) 8 SFF 12G mini-SAS cable*	—	—
	c) 4 LFF 12G mini-SAS cable*	—	—
	d) 4 LFF 6G mini-SAS cable*	—	—
23	Storage power cable kit	780993-001	Optional <sup>2</sup>
	a) LFF backplane power cable*	—	—
	b) SFF backplane power cable*	—	—
	c) SFF media power cable*	—	—
	d) SFF backplane power cable*	—	—
	e) SFF optional backplane power cable*	—	—
24	Miscellaneous cable kit	780992-001	Optional <sup>2</sup>
	a) Graphic card power cable*	—	—
	b) Discovery service cable*	—	—
	c) System board power cable 2x4*	—	—
25	SAS Expander cable kit	790505-001	Optional <sup>2</sup>
	a) 600 mm second Expander to backplane Mini-SAS cable*	—	—
	b) 720 mm second Expander to backplane Mini-SAS cable*	—	—
	c) 820 mm second Expander to backplane Mini-SAS cable*	—	—
	d) 1000 mm Smart Array to seconder Expander Mini-SAS-Y cable*	—	—
	e) Expander to backplane Mini-SAS X cable*	—	—
	f) Smart Array to Expander Mini-SAS Y cable*	—	—
	g) HBA to Expander Mini-SAS X cable*	—	—
26	Trusted Platform Module	—	—
	a) TPM 1.2*	505836-001	No <sup>3</sup>

---

b) TPM 2.0*	812119-001	No <sup>3</sup>
-------------	------------	-----------------

---

\*Not shown

\*\*All processors in this HPE ProLiant server must have the same cache size, speed, number of cores, and rated maximum power consumption.

<sup>1</sup>Mandatory—Parts for which customer self repair is mandatory. If you request Hewlett Packard Enterprise to replace these parts, you will be charged for the travel and labor costs of this service.

<sup>2</sup>Optional—Parts for which customer self repair is optional. These parts are also designed for customer self repair. If, however, you require that Hewlett Packard Enterprise replace them for you, there may or may not be additional charges, depending on the type of warranty service designated for your product.

<sup>3</sup>No—Some Hewlett Packard Enterprise parts are not designed for customer self repair. In order to satisfy the customer warranty, Hewlett Packard Enterprise requires that an authorized service provider replace the part. These parts are identified as "No" in the Illustrated Parts Catalog.