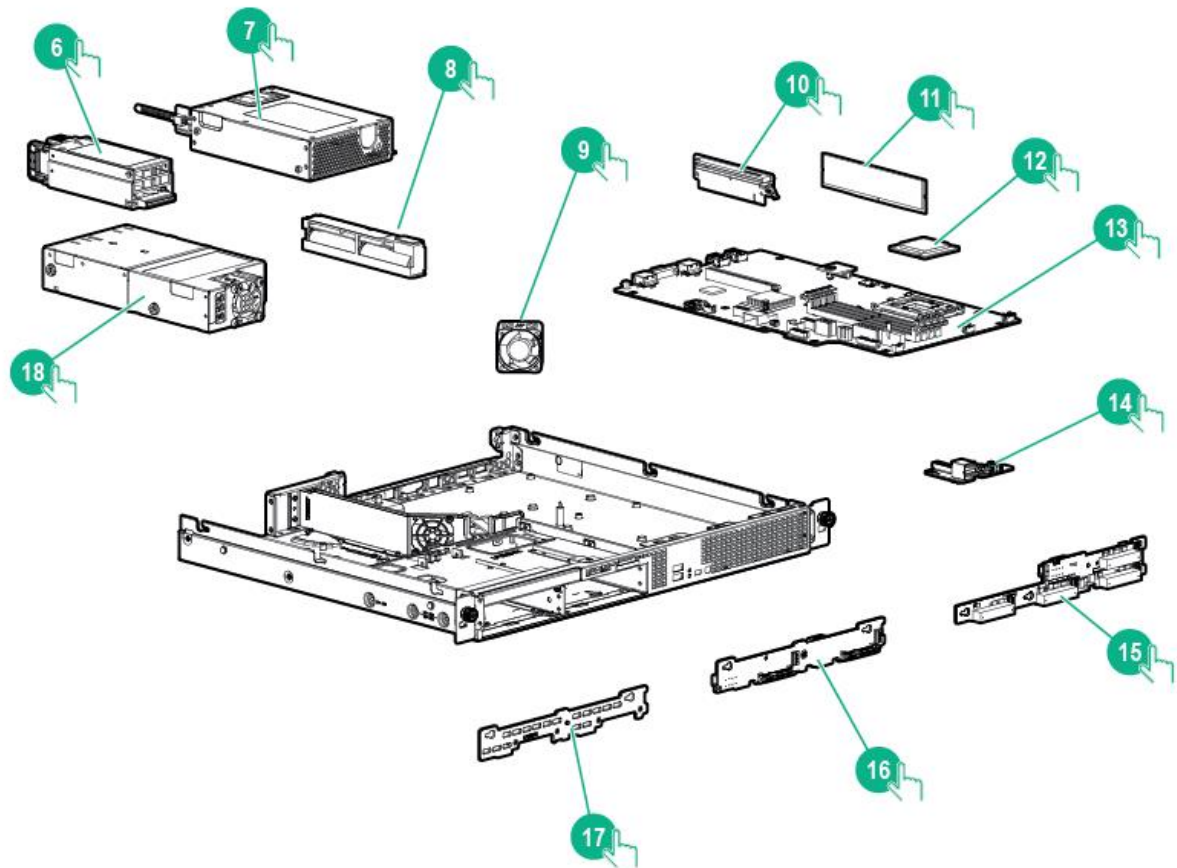


HPE ProLiant DL20 Gen9



System components



Item	Description	Spare part number	Customer self repair
6	HPE 900-W AC 240VDC Power Input Module	830219-001	Mandatory ¹
7	HPE DL20 Gen9 290-W Non-hot Plug Power Supply	823805-001	Mandatory ¹
8	HPE Smart Storage Battery	815983-001	Mandatory ¹
9	Fan module kit	725264-001	Mandatory ¹
	a) Fan module*	—	—
	b) Fan 3 extension cable*	—	—
10	Riser boards	—	—
	a) GPU riser board	823799-001	Mandatory ¹
	b) FlexibleLOM riser board*	823797-001	Mandatory ¹
	c) Two-slot PCIe x8 riser board*	823798-001	Mandatory ¹
11	DIMMs	—	—
	a) 4 GB, single-rank x8 PC4-2133P-E-15	819799-001	Mandatory ¹
	b) 8 GB, single-rank x8 PC4-2133P-E-15*	823170-001	Mandatory ¹

	c) 8 GB, dual-rank x8 PC4-2133P-E-15*	819800-001	Mandatory ¹
	d) 16 GB, dual-rank x8 PC4-2133P-E-15*	819801-001	Mandatory ¹
12	Processors (include alcohol pad and thermal compound)	—	—
	a) 2.10-Ghz Intel Xeon E3-1240L v5 processor, 4C, 8 MB, 25 W	830102-001	Optional ²
	b) 2.90-Ghz Intel Xeon E3-1260L v5 processor, 4C, 8 MB, 45 W*	830104-001	Optional ²
	c) 3.00-Ghz Intel Xeon E3-1220 v5 processor, 4C, 8 MB, 80 W*	830100-001	Optional ²
	d) 3.30-Ghz Intel Xeon E3-1225 v5 processor, 4C, 8 MB, 80 W*	839316-001	Optional ²
	e) 3.40-Ghz Intel Xeon E3-1230 v5 processor, 4C, 8 MB, 80 W*	830101-001	Optional ²
	f) 3.50-Ghz Intel Xeon E3-1240 v5 processor, 4C, 8 MB, 80 W*	830103-001	Optional ²
	g) 3.60-Ghz Intel Xeon E3-1270 v5 processor, 4C, 8 MB, 80 W*	830105-001	Optional ²
	h) 3.70-Ghz Intel Xeon E3-1280 v5 processor, 4C, 8 MB, 80 W*	830106-001	Optional ²
	i) 3.30-Ghz Intel Pentium G4400 processor, 2C, 3 MB, 54 W*	842933-001	Optional ²
	j) 3.50-Ghz Intel Pentium G4500 processor, 2C, 3 MB, 51 W*	842934-001	Optional ²
	k) 3.70-Ghz Intel Core i3-6100 processor, 2C, 3 MB, 51 W*	842931-001	Optional ²
	l) 3.80-Ghz Intel Core i3-6300 processor, 2C, 4 MB, 51 W*	842932-001	Optional ²
13	System board (include alcohol pad and thermal compound)	823793-001	Optional ²
14	Front I/O module assembly	823804-001	Mandatory ¹
15	4-bay SFF hot-plug drive backplane	823795-001	Mandatory ¹
16	2-bay LFF hot-plug drive backplane	823794-001	Mandatory ¹
17	2-bay LFF non-hot-plug drive backplane	823796-001	Mandatory ¹
18	HPE 900-W AC 240VDC RPS Power Backplane	830022-001	Mandatory ¹
19	Mini-SAS cable kit*	823801-001	Mandatory ¹
	a) 190-mm Mini-SAS cable*	—	Mandatory ¹
	b) 150-mm Mini-SAS cable*	—	Mandatory ¹
20	2 bay LFF hot-plug drive backplane cable kit*	823802-001	Mandatory ¹
	a) 2 bay LFF drive backplane power cable cable*	—	Mandatory ¹
	b) 2 bay LFF mini-SAS cable*	—	Mandatory ¹
21	4 bay SFF hot-plug drive backplane cable kit*	823803-001	Mandatory ¹
	a) 4 bay SFF drive backplane power cable cable*	—	Mandatory ¹
	b) 4 bay SFF mini-SAS cable*	—	Mandatory ¹
22	Spare cable kit*	823807-001	Mandatory ¹
	a) M.2 SSD SATA cable*	—	Mandatory ¹
	b) RPS backplane 24-pin to 14-pin power extension cable*	—	Mandatory ¹
	c) RPS backplane 16-pin power supply sideband signal cable*	—	Mandatory ¹
	d) Optical disk drive 4-pin to 4-pin power extension cable*	—	Mandatory ¹

* Not shown

¹Mandatory—Parts for which customer self repair is mandatory. If you request Hewlett Packard Enterprise to replace these parts, you will be charged for the travel and labor costs of this service.

²Optional—Parts for which customer self repair is optional. These parts are also designed for customer self repair. If, however, you require that Hewlett Packard Enterprise replace them for you, there may or may not be additional charges, depending on the type of warranty service designated for your product.

³No—Some Hewlett Packard Enterprise parts are not designed for customer self repair. In order to satisfy the customer warranty, Hewlett Packard Enterprise requires that an authorized service provider replace the part. These parts are identified as "No" in the Illustrated Parts Catalog.