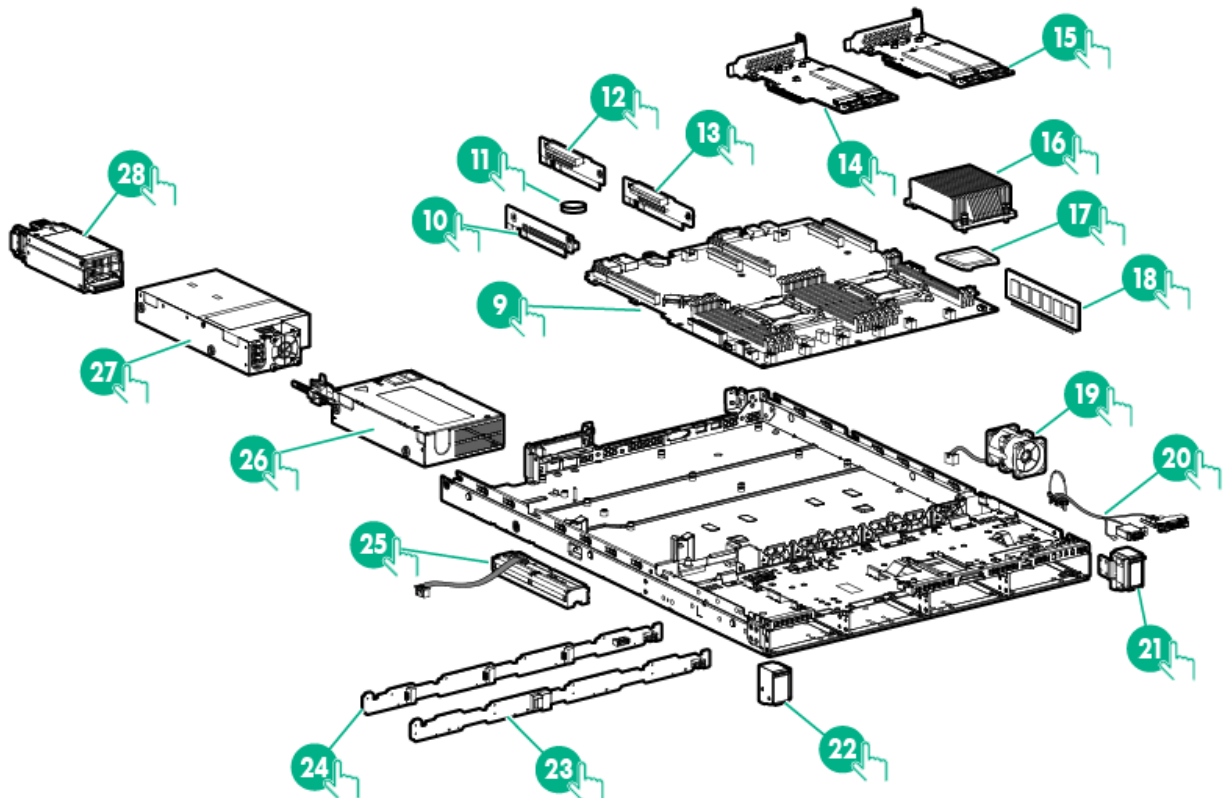


# HPE ProLiant DL60 Gen9 Server



## System components



Item	Description	Spare part number	Customer self repair
9	System boards (includes alcohol pad and thermal compound)	—	—
	a) System board for Intel Xeon E5-2600 v3 processors	790485-001	Optional <sup>2</sup>
	b) System board for Intel Xeon E5-2600 v3 and v4 processors	847393-001	Optional <sup>2</sup>
10	Primary PCIe riser board	790488-001	Optional <sup>2</sup>
11	System battery	234556-001	Mandatory <sup>1</sup>
12	FlexibleLOM riser board	790489-001	Optional <sup>2</sup>
13	Full-height half-length riser board	790490-001	Optional <sup>2</sup>
14	M.2 SSD single module enablement kit	797907-001	Optional <sup>2</sup>
	a) M.2 SSD enablement board	—	—
	b) M.2 SSD module	—	—
	c) SATA cable*	—	—
15	M.2 SSD dual module enablement kit	797908-001	Optional <sup>2</sup>
	a) M.2 SSD enablement board	—	—
	b) M.2 SSD modules (2)	—	—
	c) SATA cables (2)*	—	—
16	Heatsink	790498-001	Optional <sup>2</sup>

17	Processors (include alcohol pad and thermal compound)	—	—
	<b>Intel Xeon E5-2600 v3 processors</b>	—	—
	a) 1.6-GHz Intel Xeon E5-2603 v3, 6C, 85 W**	762441-001	Optional <sup>2</sup>
	b) 1.8-GHz Intel Xeon E5-2650L v3, 12C, 65 W* **	762461-001	Optional <sup>2</sup>
	c) 1.8-GHz Intel Xeon E5-2630L v3, 8C, 55W* **	762459-001	Optional <sup>2</sup>
	d) 1.9-GHz Intel Xeon E5-2609 v3, 6C, 85 W* **	762443-001	Optional <sup>2</sup>
	e) 2.3-GHz Intel Xeon E5-2650 v3, 10C, 105 W* **	762448-001	Optional <sup>2</sup>
	f) 2.4-GHz Intel Xeon E5-2620 v3, 6C, 85 W* **	762445-001	Optional <sup>2</sup>
	g) 2.4-GHz Intel Xeon E5-2630 v3, 8C, 85 W* **	762446-001	Optional <sup>2</sup>
	h) 2.6-GHz Intel Xeon E5-2640 v3, 8C, 90 W* **	762447-001	Optional <sup>2</sup>
	i) 2.6-GHz Intel Xeon E5-2660 v3, 10C, 105 W* **	762449-001	Optional <sup>2</sup>
	j) 3.0-GHz Intel Xeon E5-2623 v3, 4C, 105 W* **	780762-001	Optional <sup>2</sup>
	<b>Intel Xeon E5-2600 v4 processors</b>	—	—
	a) 1.70 GHz Intel Xeon E5-2603 v4, 6C, 85 W* **	835599-001	Optional <sup>2</sup>
	b) 1.70 GHz Intel Xeon E5-2609 v4, 8C, 85 W* **	835600-001	Optional <sup>2</sup>
	c) 1.70 GHz Intel Xeon E5-2650L v4, 14C, 65 W* **	835609-001	Optional <sup>2</sup>
	d) 1.80 GHz Intel Xeon E5-2630L v4, 10C, 55 W* **	835608-001	Optional <sup>2</sup>
	e) 2.00 GHz Intel Xeon E5-2660 v4, 14C, 105 W* **	835605-001	Optional <sup>2</sup>
	f) 2.10 GHz Intel Xeon E5-2620 v4, 8C, 85 W* **	835601-001	Optional <sup>2</sup>
	g) 2.20 GHz Intel Xeon E5-2630 v4, 10C, 85 W* **	835602-001	Optional <sup>2</sup>
	h) 2.20 GHz Intel Xeon E5-2650 v4, 12C, 105 W* **	835604-001	Optional <sup>2</sup>
	i) 2.40 GHz Intel Xeon E5-2640 v4, 10C, 90 W* **	835603-001	Optional <sup>2</sup>
	j) 2.60 GHz Intel Xeon E5-2623 v4, 4C, 85 W* **	835610-001	Optional <sup>2</sup>
18	DIMMs	—	—
	<b>DIMMs optimized for Intel Xeon E5-2600 v3 processors</b>	—	—
	a) 4 GB single-rank 1Rx8 PC4-2133R-15	774169-001	Mandatory <sup>1</sup>
	b) 4 GB single-rank 1Rx8 PC4-2133P-R*	804842-001	Mandatory <sup>1</sup>
	c) 8 GB single-rank 1Rx4 PC4-2133P-R*	804843-001	Mandatory <sup>1</sup>
	d) 8 GB single-rank 1Rx4 PC4-2133R-15*	774170-001	Mandatory <sup>1</sup>
	e) 8 GB dual-rank 2Rx8 PC4-2133R-15*	774171-001	Mandatory <sup>1</sup>
	f) 16 GB dual-rank 2Rx4 PC4-2133R-15*	774172-001	Mandatory <sup>1</sup>
	g) 16 GB dual-rank 2Rx4 PC4-2133L-15*	774173-001	Mandatory <sup>1</sup>
	h) 32 GB dual-rank x4 PC4-2133P-R*	774175-001	Mandatory <sup>1</sup>
	i) 32 GB quad-rank 4Rx4 PC4-2133L-15*	774174-001	Mandatory <sup>1</sup>
	<b>DIMMs optimized for Intel Xeon E5-2600 v4 processors</b>	—	—
	a) 8 GB, single-rank x8 PC4-2400T-R STND*	852545-001	Mandatory <sup>1</sup>
	b) 8 GB, single-rank x8 PC4-2400T-R*	819410-001	Mandatory <sup>1</sup>
	c) 16 GB, single-rank x8 PC4-2400T-R*	819411-001	Mandatory <sup>1</sup>
	d) 16 GB, dual-rank x4 PC4-2400T-R*	846740-001	Mandatory <sup>1</sup>
	e) 32 GB, dual-rank x4 PC4-2400T-R*	819412-001	Mandatory <sup>1</sup>
	f) 32 GB, dual-rank x4 PC4-2400T-L*	819414-001	Mandatory <sup>1</sup>
19	Hot-swap fan	790514-001	Mandatory <sup>1</sup>
20	Front I/O module	790496-001	Mandatory <sup>1</sup>
21	Right quick-release latch rack ear assembly	790512-001	Mandatory <sup>1</sup>
22	Left quick-release latch rack ear assembly	790557-001	Mandatory <sup>1</sup>
23	4-bay LFF hot-plug drive backplane	790487-001	Optional <sup>2</sup>
24	4-bay LFF non-hot-plug drive backplane	790486-001	Optional <sup>2</sup>
25	Smart Storage Battery	815983-001	Mandatory <sup>1</sup>
26	HPE 550-W power supply	766879-001	Optional <sup>2</sup>
27	RPS backplane assemblies	—	—
	a) AC RPS backplane assembly	784636-001	Optional <sup>2</sup>
	b) AC/240 V DC RPS backplane assembly*	830022-001	Optional <sup>2</sup>
28	Hot-plug power input modules	—	—
	a) HPE 800 W/900 W Gold AC Power Input Module	754376-001	Mandatory <sup>1</sup>
	b) HPE 900 W AC/240 V DC Gold Power Input Module	830219-001	Mandatory <sup>1</sup>
29	Cables	—	—

	a) Hot-plug power cable*	790516-001	Mandatory <sup>1</sup>
	b) Non-hot-plug cable*	790517-001	Mandatory <sup>1</sup>
	c) Hot-plug cable*	790518-001	Mandatory <sup>1</sup>
	d) Smart array P-series mini-SAS cable*	790520-001	Mandatory <sup>1</sup>
	e) Host bus adapter mini-SAS cable*	790521-001	Mandatory <sup>1</sup>
	f) M.2 SSD SATA right angle cable*	809065-001	Mandatory <sup>1</sup>
30	Trusted Platform Module	—	—
	a) TPM 1.2*	505836-001	No <sup>3</sup>
	b) TPM 2.0*	812119-001	No <sup>3</sup>

\*Not shown

\*\*All processors in this HPE ProLiant server must have the same cache size, speed, number of cores, and rated maximum power consumption.

<sup>1</sup>Mandatory—Parts for which customer self repair is mandatory. If you request Hewlett Packard Enterprise to replace these parts, you will be charged for the travel and labor costs of this service.

<sup>2</sup>Optional—Parts for which customer self repair is optional. These parts are also designed for customer self repair. If, however, you require that Hewlett Packard Enterprise replace them for you, there may or may not be additional charges, depending on the type of warranty service designated for your product.

<sup>3</sup>No—Some Hewlett Packard Enterprise parts are not designed for customer self repair. In order to satisfy the customer warranty, Hewlett Packard Enterprise requires that an authorized service provider replace the part. These parts are identified as "No" in the Illustrated Parts Catalog.