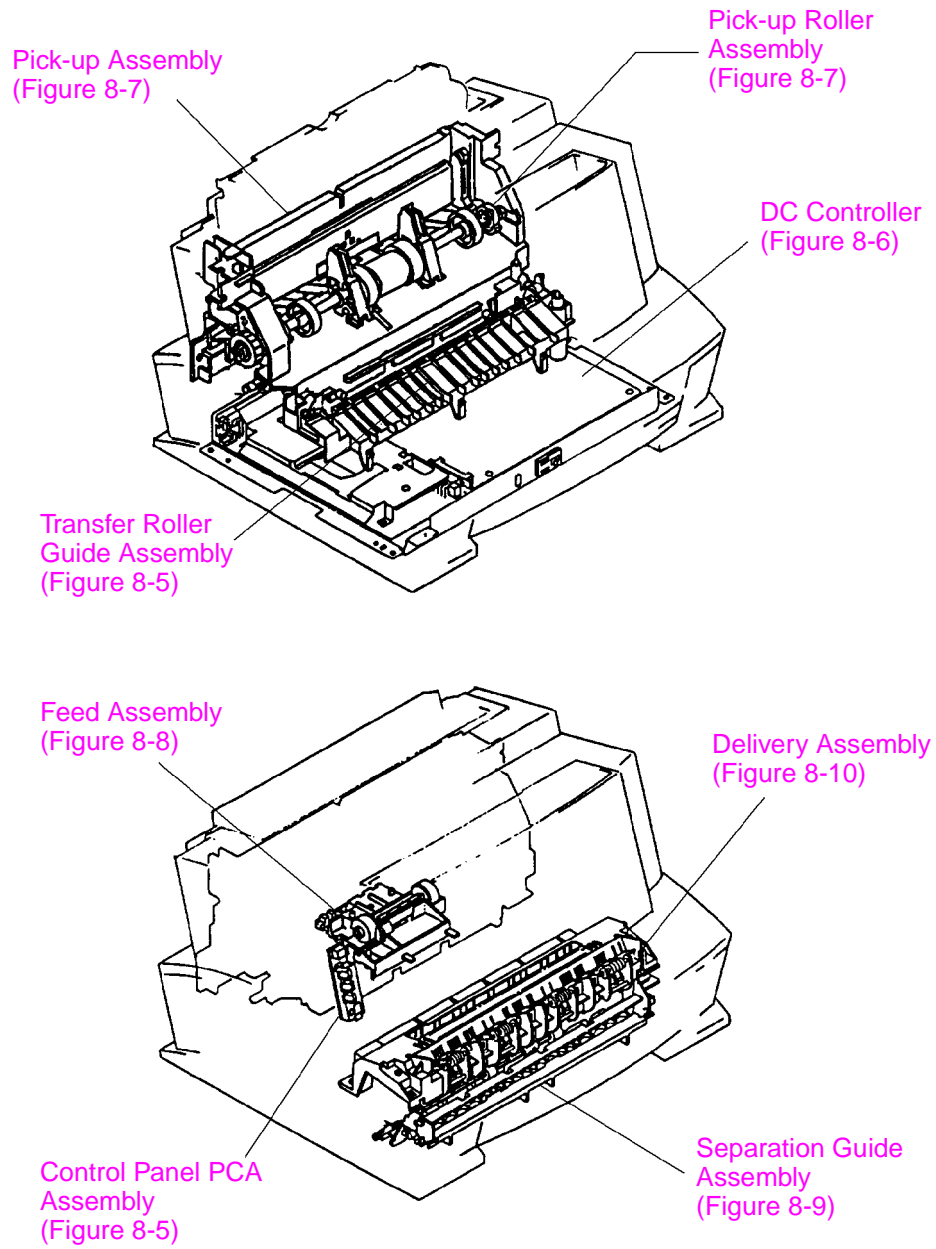


# Parts diagrams



**Figure 8-1** Major assembly locations

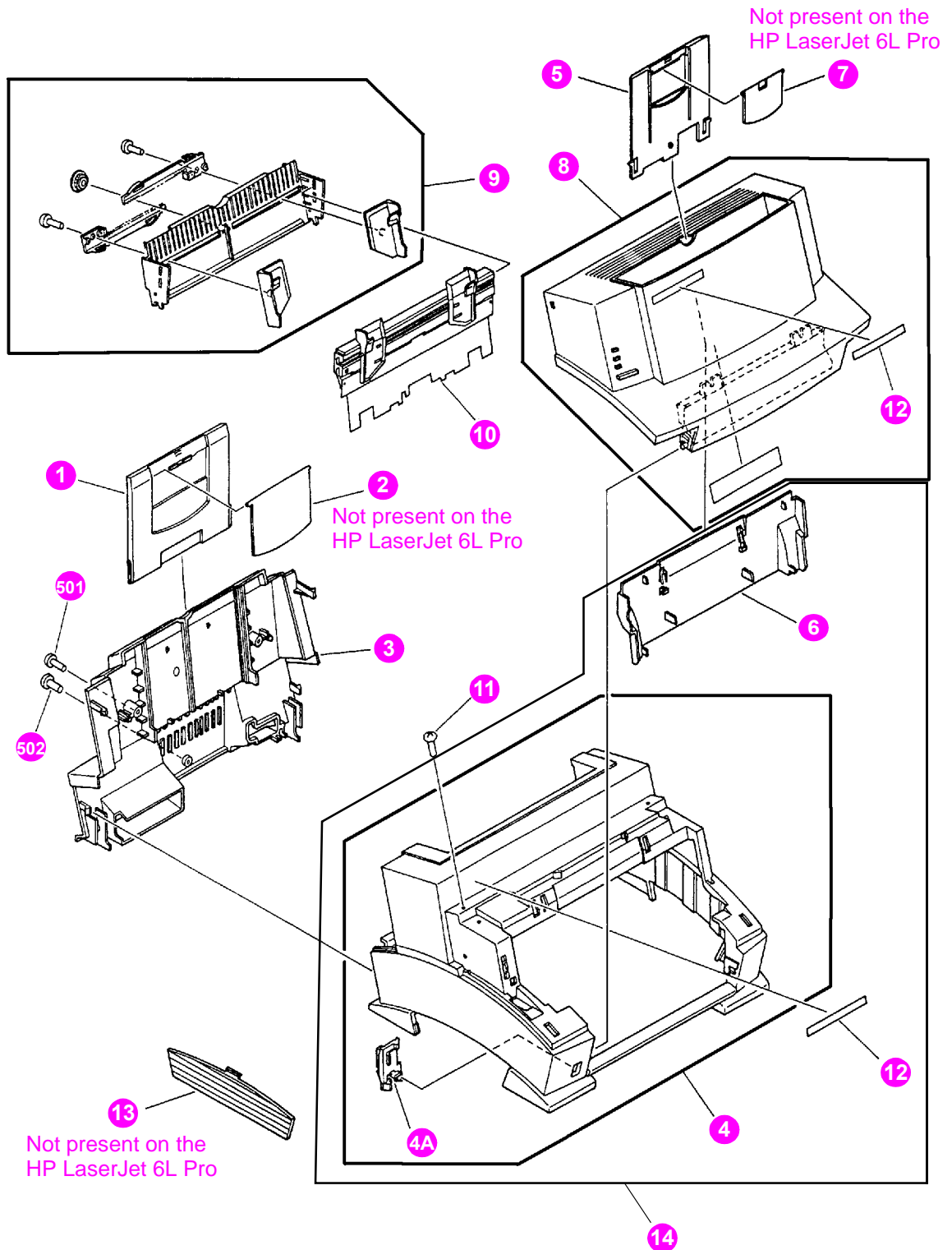
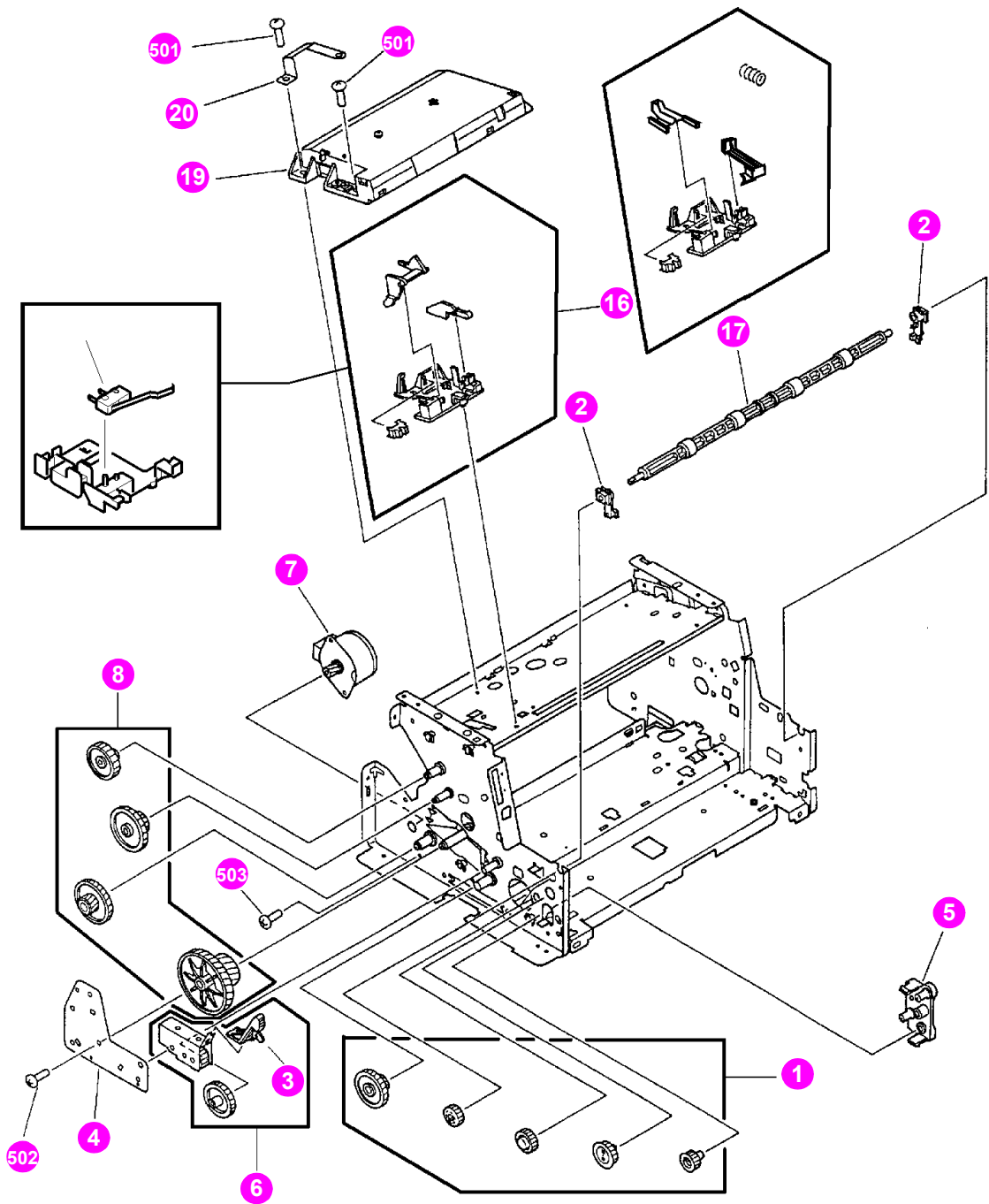


Figure 8-2 Covers and doors

**Table 8-3 Covers and doors**

Ref	LaserJet 5L part number	LaserJet 6L part number	LaserJet 6L Pro part number	Qty	Description
1	RB1-7211-000CN	RB2-1637-000CN	RB2-6213-000CN	1	Input Extender 1/Tray, Sub
2	RB1-7212-000CN	RB2-1638-000CN	n/a	1	Input Extender 2
3	RB1-7333-000CN	RB2-1636-000CN	RB2-1636-000CN	1	Back Cover
4	RG5-1995-000CN	RG5-3443-000CN	n/a	1	Main Cover
4A	RB1-7278-000CN	RB2-1644-000CN	RB2-1644-000CN	1	Face-up/Face-down Switch
5	RB1-7326-000CN	RB2-1696-000CN	RB2-1696-000CN	1	Output Extender 1
6	RB1-7327-000CN	RB2-1696-000CN	RG5-1697-000CN	1	EP Door Chimney
7	RB1-7331-000CN	RB2-1696-000CN	n/a	1	Output Extender 2
8	RF5-1501-030CN	RF5-2352-000CN	RG5-5475-000CN	1	EP Door Assembly/Cover Assembly
8B	RB1-7335-000CN	RB2-1641-000CN	RB2-6229-000CN	1	Nameplate
9	RG5-1944-000CN	RG5-3488-000CN	RG5-3488-000CN	1	Input Assembly 1
10	RG5-1945-000CN	RG5-3491-000CN	RG5-3491-000CN	1	Input Assembly 2
11	XA9-0724-000CN	XA9-0724-000CN	XA9-0724-000CN	2	Screw RS, M3x8
13	RB1-7321-000CN	RB2-1639-000CN	n/a	1	Memory Door
14	n/a	n/a	RG5-5475-000CN		Cover Assembly
501	XB4-7401-007CN	XB4-7401-007CN	XA9-1262-007CN	2	Screw, TP, PH, M4x10
502	XB6-7300-807CN	XA9-0267-000CN	XA9-0267-000CN	2	Screw, Top, M3x8



**Figure 8-3** Internal components (1 of 3)

**Table 8-4 Internal components**

Ref	LaserJet 5L part number	LaserJet 6L part number	LaserJet 6L Pro part number	Qty	Description
1	RY7-5005-000CN	RY7-5005-000CN	RY7-5005-000CN	1	Gear Kit #1
2	RB1-7288-000CN	RB1-7288-000CN	RB1-7288-000CN	2	Exit Roller Bushing
3	RB1-7105-000CN	RB1-7105-000CN	RB1-7105-000CN	1	Fuser Release Tab
4	RB1-7106-000CN	RB2-1632-000CN	RB2-1632-000CN	1	Gear Plate
5	RB1-7107-000CN	RB1-7107-000CN	RB1-7107-000CN	1	Front Gear Case
6	RY7-5007-000CN	RY7-5007-000CN	RY7-5007-000CN	1	Fuser Release Kit
7	RH7-1282-000CN	RH7-1320-000CN	RH7-1450-000CN	1	Main Motor
8	RY7-5006-000CN	RY7-5036-000CN	RY7-5036-000CN	1	Gear Kit #2
16	RG5-1984-000CN	RG5-3453-000CN	RF5-3256-000CN	1	EP/Cover Interlock
17	RF5-1521-000CN	RF5-2367-000CN	RF5-2367-000CN	1	Exit Roller
19	RG5-2004-000CN	RG5-3497-060CN	RG5-5473-060CN	1	Laser/Scanner Assembly
20	RB2-1714-000CN	RB2-1714-000CN	HB1-3418-000CN	1	Ground Clip, Scanner
501	XB6-7300-807CN	XB6-7300-807CN	XB6-1261-807CN	4	Screw, TP, M3x8
502	XB6-7300-607CN	XB6-7300-607CN	XB6-7300-607CN	4	Screw, TP, M3x6
503	XA9-0267-000CN	XA9-0267-000CN	XA9-1263-000CN	2	Screw, TP, M3x6

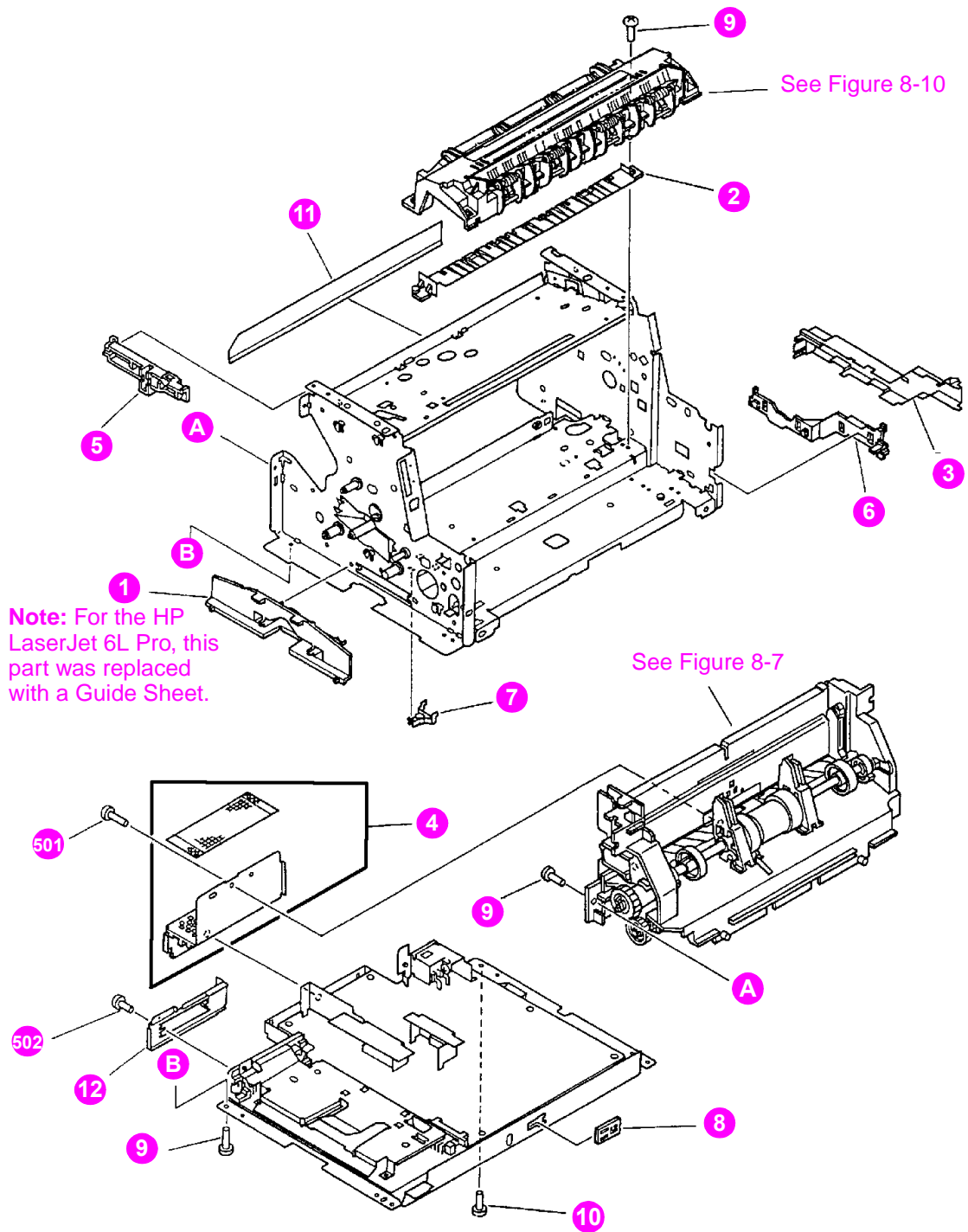


Figure 8-4 Internal components (2 of 3)

**Table 8-5 Internal components (2 of 3)**

Ref	LaserJet 5L part number	LaserJet 6L part number	LaserJet 6L Pro part number	Qty	Description
1	RB1-7109-000CN	RB1-7109-000CN	n/a	1	Memory Door Guide
1	n/a	n/a	RB2-6226-000CN	1	Guide Sheet
2	RB1-7247-000CN	RB1-7247-000CN	RB1-7247-000CN	1	Fuser Paper Guide
3	RB1-7344-000CN	RB1-7344-000CN	RB1-7344-000CN	1	AC Cable Cover
4	RF5-1509-000CN	RF5-1509-000CN	RF5-6222-000CN	1	Back Sheet Metal
5	RB1-7343-000CN	RB1-7343-000CN	n/a	1	Control Panel Cable Guide
6	RB1-7130-000CN	RB1-7130-000CN	RB1-7130-000CN	1	Fuser Cable Guide
7	RB1-7234-000CN	RB1-7234-000CN	RB1-7234-000CN	1	Cap
8	RB1-7302-000CN	RB1-7302-000CN	RB1-7302-000CN	1	Cap
9	XA9-0724-000CN	XA9-0724-000CN	XA9-0724-000CN	6	Screw, RS, M3x8
10	XA9-0855-000CN	XA9-0855-000CN	XA9-0855-000CN	2	Screw, RS, M3x8 (with star washer)
11	RB1-7176-000CN	RB1-7176-000CN	RB1-7176-000CN	2	Mylar Guide
12	RB1-7305-000CN	RB1-7305-000CN	RB1-7305-000CN	1	I/O Sheet Metal
13	RB1-7307-000CN	RB1-7307-000CN	RB1-7307-000CN	4	Foot
501	XB4-7401-007CN	XB4-7401-007CN	XB4-7401-007CN	3	Screw, Tapping, Panhead, M4x10
502	XB1-1300-807CN	XB1-1300-807CN	XB1-1300-807CN	2	Screw, PH, M3x8

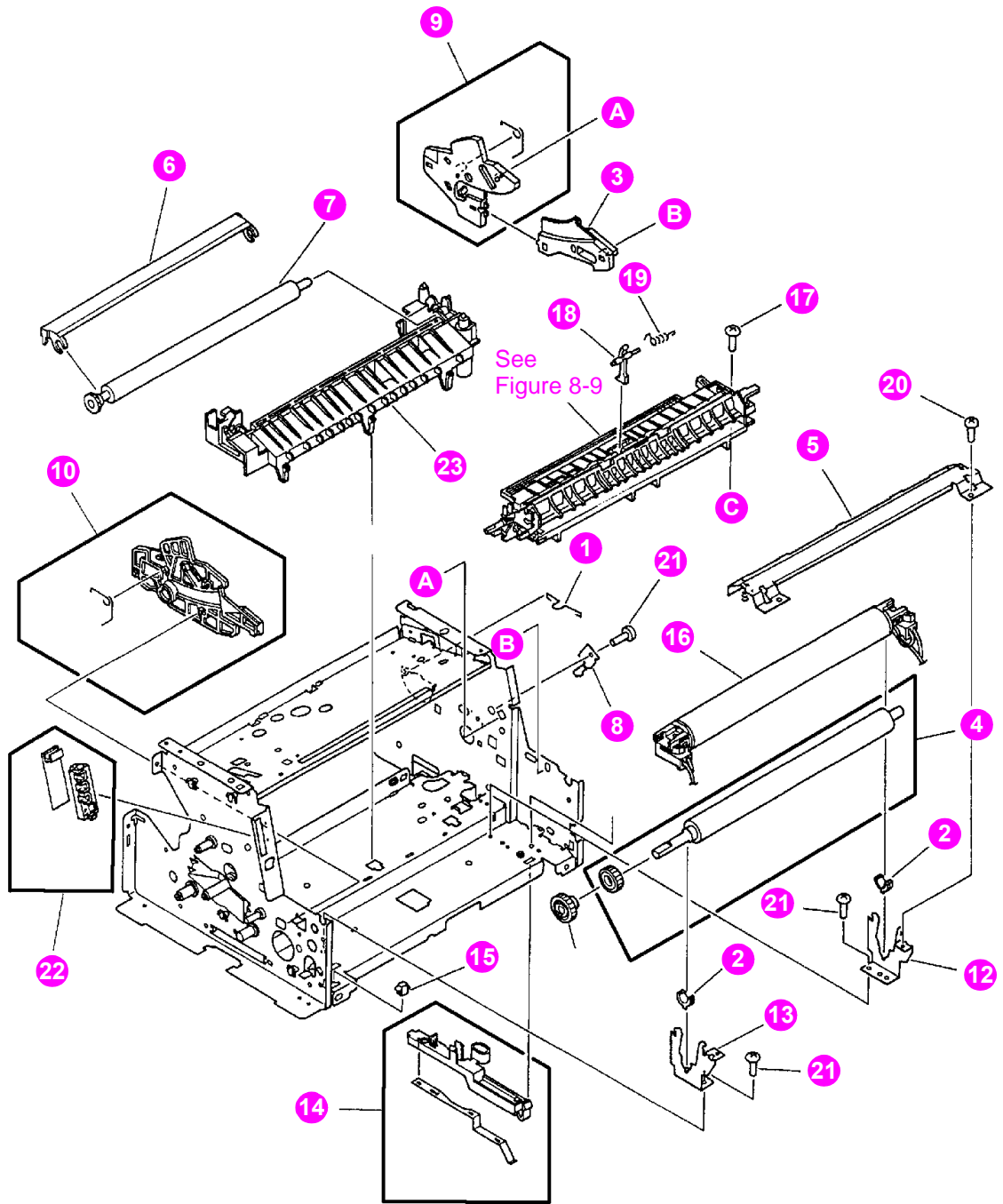
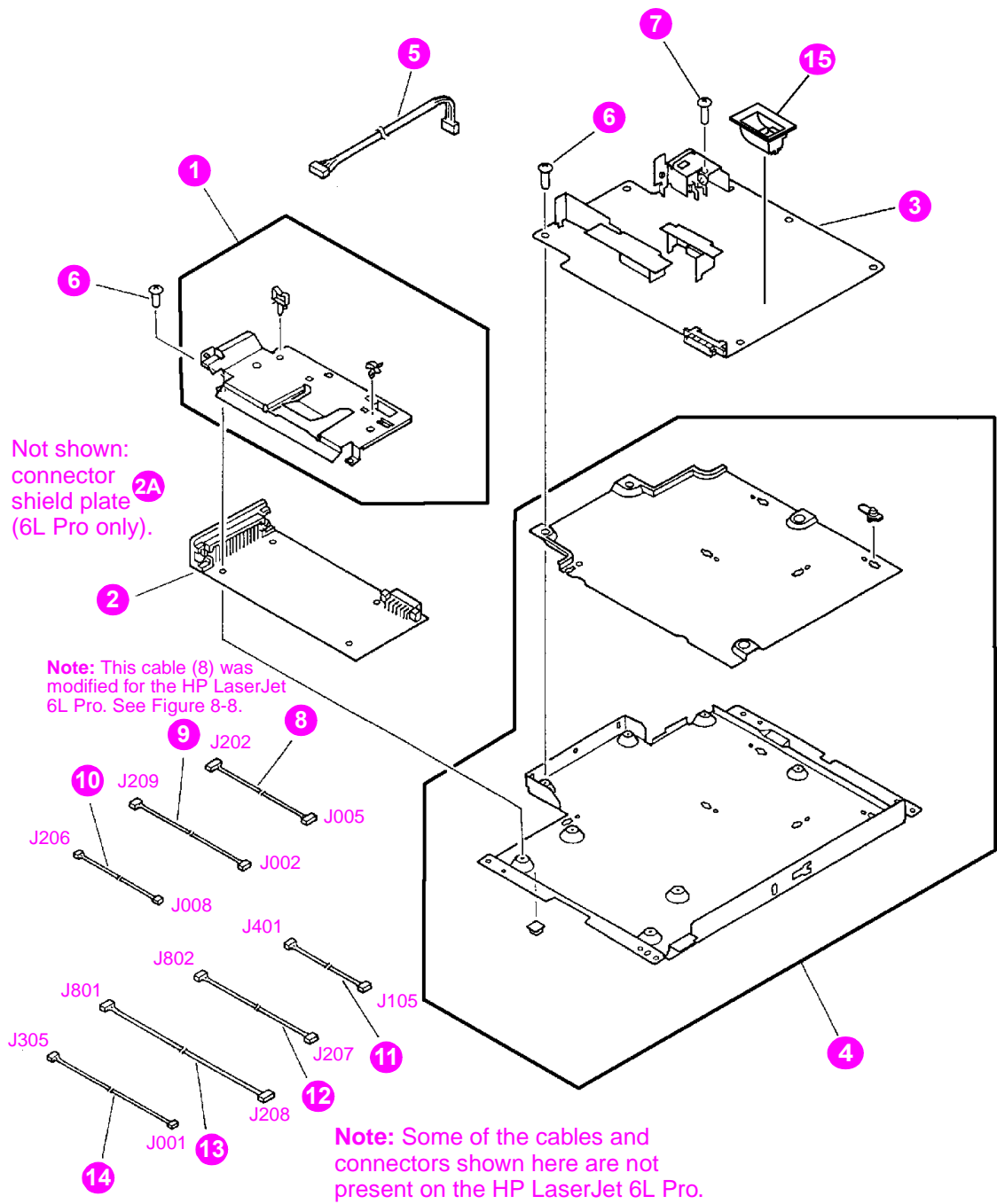


Figure 8-5 Internal components (3 of 3)



**Table 8-6 Internal components (3 of 3)**

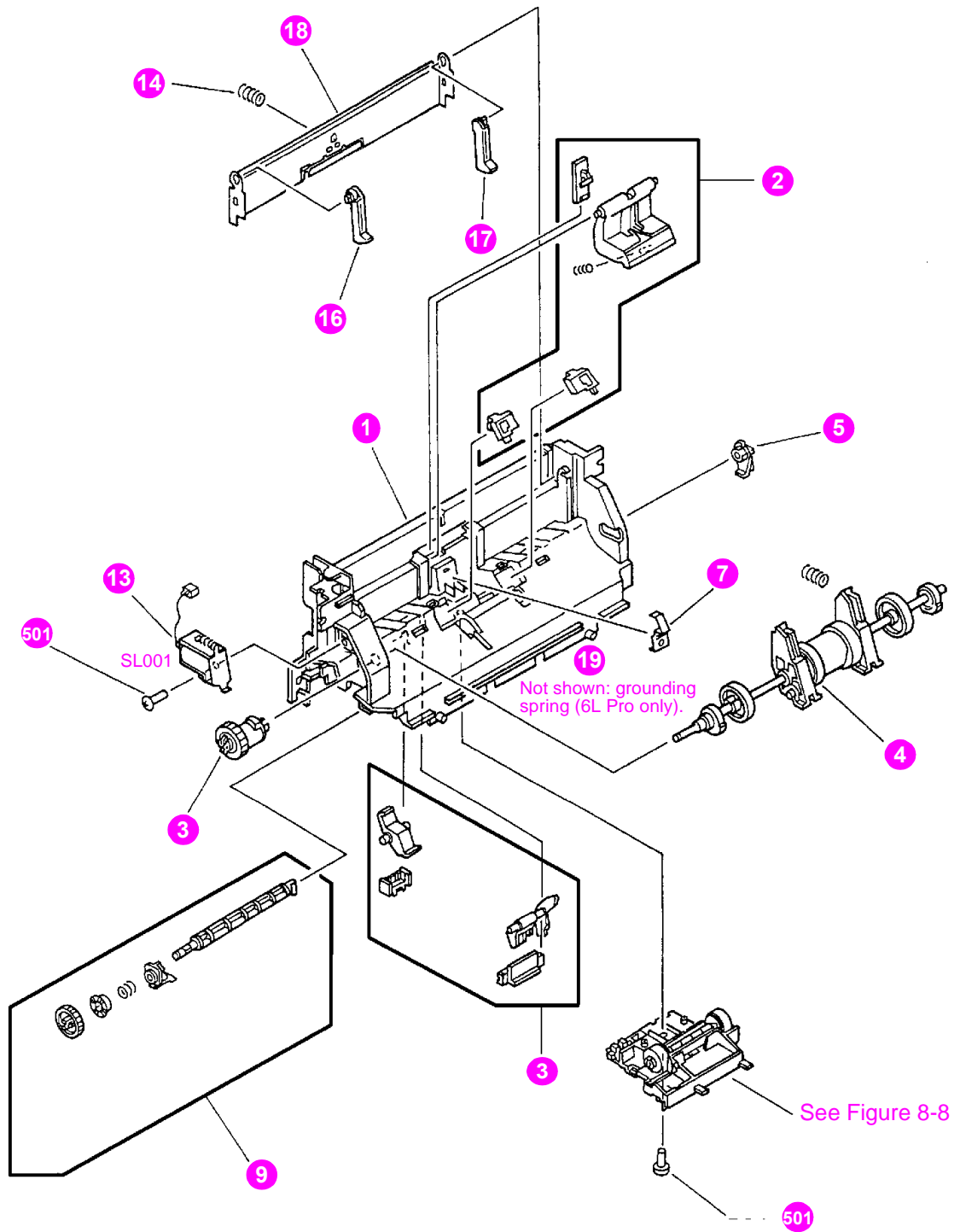
Ref	LaserJet 5L part number	LaserJet 6L part number	LaserJet 6L Pro part number	Qty	Description
1	RB1-7223-000CN	RB1-7223-000CN	RB1-7223-000CN	1	Pickup Roller Grounding Clip
2	RB1-7246-000CN	RB1-7246-000CN	RB1-7246-000CN	2	Pressure Roller Bushing
3	RB1-7341-000CN	RB1-7341-000CN	RB1-7341-000CN	1	EP Right Hand Guide #2
4	RF5-1516-000CN	RF5-2362-000CN	RF5-2364-000CN	1	Pressure Roller
5	RF5-1517-000CN	RF5-1517-000CN	RF5-1517-000CN	1	Fuser Pressure Plate
6	RF5-1530-000CN	RF5-2358-000CN	RF5-2358-000CN	1	Transfer Roller Guide
7	RF5-1534-000CN	RF5-1534-000CN	RF5-1534-000CN	1	Transfer Roller
8	RB1-7129-000CN	RB1-7129-000CN	RB1-7129-000CN	1	Case Ground Metal
9	RF5-1515-000CN	RF5-1515-000CN	RF5-1515-000CN	1	EP Right Hand Guide #1
10	RF5-1514-000CN	RF5-1514-000CN	RF5-1514-000CN	1	EP Left Hand Guide
11	RS5-0796-000CN	RS5-0796-000CN	RS5-0796-000CN	1	Pressure Roller Gear
12	RB1-7256-000CN	RB1-7256-000CN	RB1-7256-000CN	1	Right Pressure Roller Housing
13	RB1-7255-000CN	RB1-7255-000CN	RB1-7255-000CN	1	Left Pressure Roller Housing
14	RF5-1533-000CN	RF5-1533-000CN	RF5-1533-000CN	1	Pressure Roller Ground Guide
15	VS1-5057-002CN	VS1-5057-002CN	VS1-5057-002CN	1	Fuser Connector
16	RG5-1964-000CN	RG5-3459-000CN	n/a	1	Heating Element (110v)
16	RG5-1965-000CN	RG5-3463-000CN	RG5-5517-010CN	1	Heating Element (220v)
17	XA9-0824-000CN	XA9-0824-000CN	XA9-0824-000CN	1	Screw, RS, M3x10
18	RB1-7293-000CN	RB1-7293-000CN	RB1-7293-000CN	1	Flag
19	RB1-7294-000CN	RB1-7294-000CN	RB1-7294-000CN	1	Flag Spring
20	XA9-0724-000CN	XA9-0724-000CN	XA9-0724-000CN	2	Screw, RS, M3x8
21	XA9-0686-000CN	XA9-0686-000CN	XA9-0686-000CN	14	Screw, RS, M3x6
22	RG5-2028-000CN	RG5-2028-000CN	RG9-1454-000CN	1	Control Panel Assembly
23	RG5-1961-000CN	RG5-3452-000CN	RG5-5481-000CN	1	Transfer Guide Assembly
24	RS5-2508-000CN	RS5-2508-000CN	RS5-2508-000CN	2	Compression Spring
	CK-8006	CK-8006	CK-8006	1	Pressure Roller Grease



**Figure 8-6** DC Controller/formatter and cables

**Table 8-7 DC Controller case**

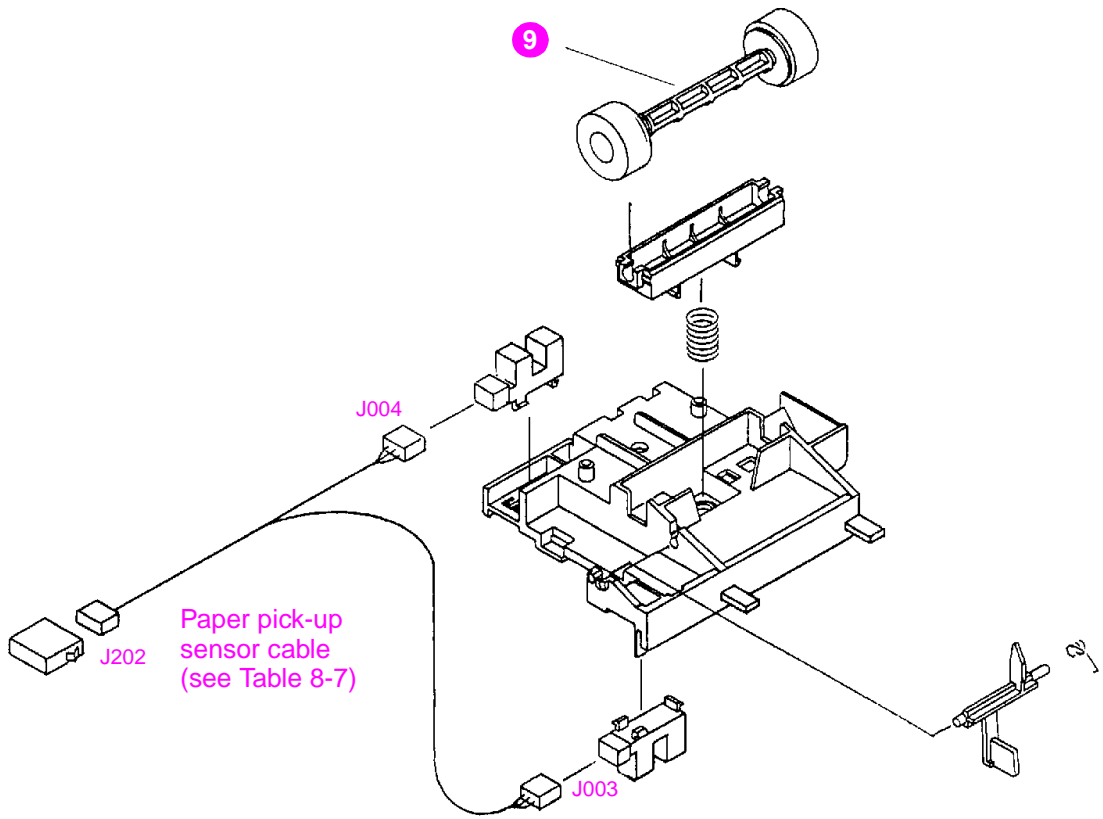
Ref	LaserJet 5L part number	LaserJet 6L part number	LaserJet 6L Pro part number	Qty	Description
1	RG5-2024-000CN	RB2-1719-000CN	RB2-1719-000CN	1	Formatter Shield
2	C3942-67902	C3991-60001	C3991-60001	1	Formatter, New
	C3942-69002	n/a	n/a	1	Formatter, Exchange
2A	n/a	n/a	RB2-1720-000CN		Connector Shield Plate
3	RG5-2023-000CN	RG5-3506-000CN	n/a		DC Controller PCA (110 V)
3	RG5-2025-000CN	RG5-3768-000CN	RG5-5489-000CN	1	DC Controller PCA (220 V)
3	C3941-69001	n/a	n/a	1	DC Controller PCA (110 V) Exchange
3	C3941-69002	n/a	n/a		DC Controller PCA (220 V) Exchange
4	RG5-3510-000CN	RG5-3510-000CN	RG5-5485-000CN		DC Controller PCA Case Assembly
5	RG5-2036-000CN	RG5-3499-000CN	RG9-1454-000CN	1	Control Panel PCA Cable
6	XA9-0326-000CN	XA9-0890-000CN	XA9-0890-000CN	9	Screw, TP, M3x4
7	XA9-0828-000CN	XA9-0828-000CN	XA9-0828-000CN	1	Screw, with Star
8	RG5-2029-000CN	RG5-2029-000CN	RG5-5521-000CN	1	Paper Pickup Sensor Cable
9	RG5-2031-000CN	RG5-3662-000CN	n/a	1	Door Sensor Cable
10	RG5-2032-000CN	RG5-2032-000CN	RG5-5514-000CN	1	Thermistor Cable
11	RG5-2033-000CN	RG5-2033-000CN	RG5-5511-000CN	1	Motor Cable
12	RG5-2034-000CN	RG5-3661-000CN	RG5-5510-000CN	1	Scanner Cable
13	RG5-2035-000CN	n/a	n/a	1	Laser Cable
14	RG5-2037-000CN	n/a	n/a	1	Door Switch Cable
	VD7-0211-002CN	VD7-0211-002CN	n/a	1	Fuse 101 (10 A/125 V)
	VD7-0643-151CN	VD7-0643-151CN	VD7-0643-151CN	1	Fuse 101 (10 A/250 V)
	RH3-8003-000CN	RH3-8003-000CN	n/a	1	Fuse 102 (5 A/125 V)
	n/a	n/a	RB2-6220-000CN	1	Waterproof Cover



**Figure 8-7** Pickup Roller assembly

**Table 8-8 Pickup Roller assembly**

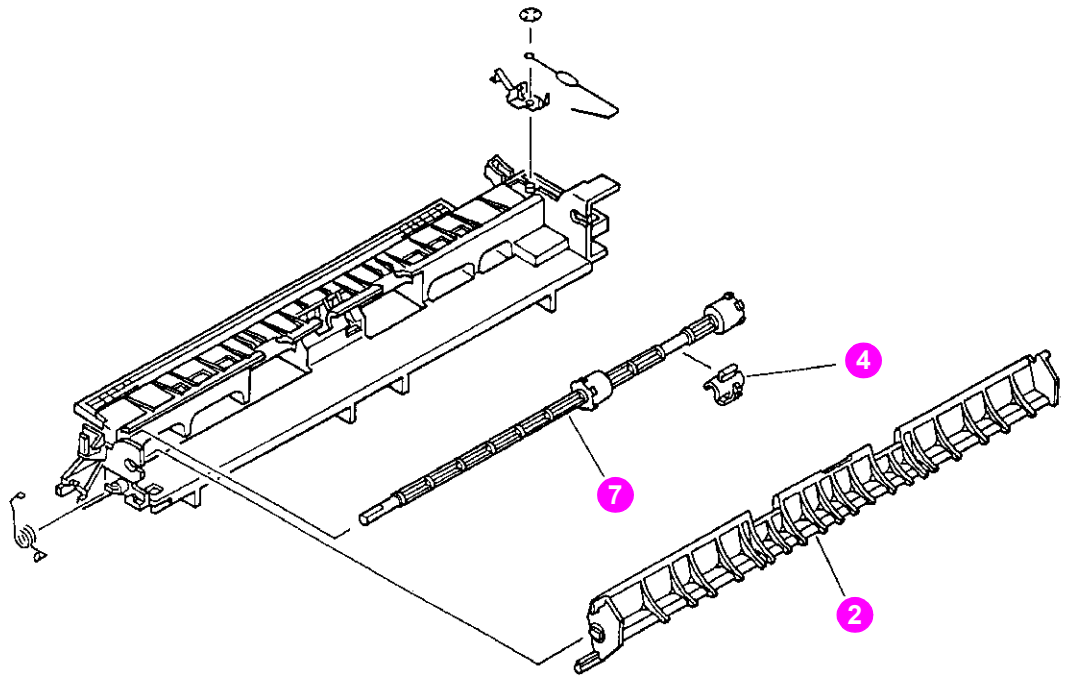
Ref	LaserJet 5L part number	LaserJet 6L part number	LaserJet 6L Pro part number	Qty	Description
1	RB1-7177-000CN	RB1-7177-000CN	RB1-7177-000CN	1	Paper Feed Frame
2	RY7-5077-000CN	RY7-5077-000CN	RY7-5077-000CN	1	Separation Pad Kit
3	RY7-5009-000CN	RY7-5009-000CN	RY7-5009-000CN	1	Input Sensor Assembly
4	RG5-1951-040CN	RG5-3486-040CN	RG5-5483-000CN	1	Pickup Roller Assembly
5	RB1-7184-000CN	RB1-7184-000CN	RB1-7184-000CN	1	Pickup Roller Bushing
6	RB1-7197-000CN	RB1-7197-000CN	RB1-7197-000CN	1	Clutch
7	RB1-7199-000CN	RB1-7199-000CN	RB1-7199-000CN	1	Back Grounding Clip
9	RG5-1947-000CN	RG5-1947-000CN	RG5-1947-000CN	1	Idler Roller Shaft Assembly
13	RH7-5139-000CN	RH7-5139-000CN	RH7-5265-000CN	1	Solenoid
14	RS5-2501-000CN	RS5-2501-000CN	RS5-2501-000CN	1	Kick Plate Spring
16	RB1-7185-000CN	RB1-7185-000CN	RB1-7185-000CN	1	Left Leg
17	RB1-7186-000CN	RB1-7186-000CN	RB1-7186-000CN	1	Right Leg
18	RF5-1490-000CN	RF5-2372-000CN	RF5-2372-000CN	1	Paper Kick Plate
19	n/a	n/a	RB1-7172-000CN	1	Grounding Spring
501	XB4-7401-0007	XB4-7401-0007	XB4-7401-0007	2	Screw, TP, PH, M4x10



**Figure 8-8** Feed assembly

**Table 8-9 Feed assembly**

<b>Ref</b>	<b>LaserJet 5L part number</b>	<b>LaserJet 6L part number</b>	<b>LaserJet 6L Pro part number</b>	<b>Qty</b>	<b>Description</b>
0	RG5-1942-000CN	RG5-3485-000CN	RG5-5522-000CN	1	Feed Assembly
9	RB1-7226-000CN	RB2-1699-000CN	RB2-1699-000CN	1	Idler Roller
10	n/a	n/a			Paper Pick-up Sensor Cable



**Figure 8-9** Separation Guide assembly



**Table 8-10 Separation Guide assembly**

<b>Ref</b>	<b>LaserJet 5L part number</b>	<b>LaserJet 6L part number</b>	<b>LaserJet 6L Pro part number</b>	<b>Qty</b>	<b>Description</b>
	RG5-2013-000CN	RG5-3475-000CN	RG5-3475-000CN	1	Separation Guide Assembly
2	RB1-7276-000CN	RG5-3476-000CN	RG5-3476-000CN	1	Face-Up/Face-Down Lever
4	RB1-7289-000CN	RB2-1690-000CN	RB2-1690-000CN	1	Fuser Roller Bushing
7	RF5-1522-000CN	RF5-2368-000CN	RF5-2368-000CN	1	Fuser Exit Roller Assembly

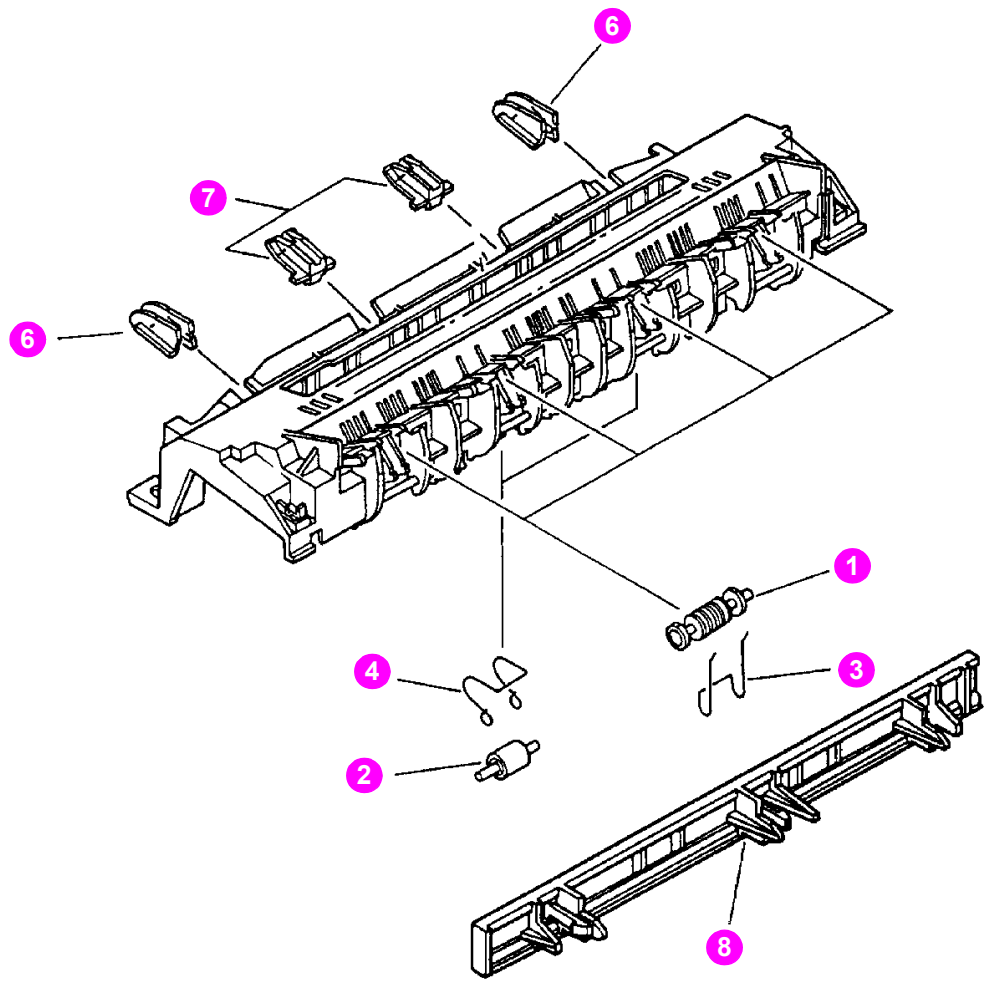


Figure 8-10 Delivery assembly

**Table 8-11 Delivery assembly**

<b>Ref</b>	<b>LaserJet 5L part number</b>	<b>LaserJet 6L part number</b>	<b>LaserJet 6L Pro part number</b>	<b>Qty</b>	<b>Description</b>
	RG5-2012-000CN	RG5-3474-000CN	RG5-5482-000CN	1	Delivery Assembly
1	RB1-7284-000CN	RB1-7284-000CN	RB1-7284-000CN	4	Delivery Roller #1
2	RB1-7285-000CN	RB2-1685-000CN	RB2-1685-000CN	2	Delivery Roller #2
3	RB1-7286-000CN	RB1-7286-000CN	RB1-7286-000CN	4	Delivery Spring#1
4	RB1-7287-000CN	RB1-7287-000CN	RB1-7287-000CN	2	Delivery Spring#2
6	RG5-2015-000CN	RG5-3479-000CN	RG5-3479-000CN	2	Spur Assembly Outside
7	RG5-2014-000CN	RG5-3478-000CN	RG5-3478-000CN	1	Spur Assembly Inside
8	RB1-7334-000CN	RB1-7334-000CN	RB1-7334-000CN	1	JP Protector