

**Electronic Accessories****Cable (Interface)**

8120-8485	Universal Serial Bus (USB) interface cable - Type 'A' connector to type 'B' connector, 1.8m (6.0 ft) long
8121-0712	Universal serial bus (USB) interface cable - Type 'A' connector to type 'B' connector - 0.6m (24-inches) long

**Electronics/Power Cords****Cable**

3	RK2-0029-000CN	Flex cable - Has two 14 pin (M) edge connectors - Connects between the laser/scanner assembly and the formatter PC board
4	RM1-0563-000CN	Scanner motor cable assembly - 4 pin (F) connector to 4-pin (F) connector - Connects between the laser/scanner assembly and the formatter board

**Control Panel**

5	RM1-0549-000CN	Control panel assembly - Includes the 'Go' button and LED, 'Ready' LED, and 'Attention' LED mounted on the left front cover support - Mounts on the upper left corner of the left side plate
---	----------------	--

**Fan/Airflow Guide**

6	RM1-0547-000CN	Fan and airflow guide assembly - Mounts to the upper front on the right side plate assembly
---	----------------	---

**Laser/Scanner**

7	RM1-0524-000CN	Laser/scanner assembly - Mounts on top of the print structure frame
---	----------------	---

**Motor**

8	RK2-0062-000CN	DC stepper motor assembly - Drives all rollers and fusing assembly via the gear train on the right side - Mounts on the inside rear of the right side plate assembly
---	----------------	--

**PC Board**

9	Q2455-60001	Formatter PC board assembly - Mounts to the left side frame assembly
10	RM1-0566-000CN	Engine control PC board - Control and power supply board for the printer (For 110V to 127V operation) - Includes the power cord connector and power switch - Mounts in the bottom of the printer
11	RM1-0567-000CN	Engine control PC board - Control and power supply board for the printer (For 220V to 240V operation) - Includes the power cord connector and power switch - Mounts in the bottom of the printer

**Power Cord**

8120-6800	Power cord (Flint Gray) - 16 AWG, 2.3m (7.5ft) long - Has straight (F) receptacle (For 240V in Israel)
8120-6809	Power cord (Dove Gray) - 2.3m (7.5ft) long - Has straight (F) receptacle (For 240V operation in the United Kingdom, Hong Kong, Singapore, Malaysia)
8120-6811	Power cord (Flint Gray) - 17 AWG, 2.3m (7.5ft) long - Has straight (F) receptacle (For 220V in Europe, Saudi Arabia, South Africa, India, and Korea)
8120-6812	Power cord (Flint Gray) - 18 AWG, 2.3m (7.5ft) long - Has straight (F) receptacle (For 120V in the USA, Canada, Mexico, Philippines, and Taiwan)
8120-6813	Power cord (Flint Gray) - 17 AWG, 2.3m (7.5ft) long - Has straight (F) receptacle (For 220V in South Africa, Saudi Arabia, and India)
8120-6814	Power cord (Flint Gray) - 17 AWG, 2.3m (7.5ft) long - Has straight (F) receptacle (For 220V in Denmark)
8120-6815	Power cord (Flint Gray) - 17 AWG, 2.3m (7.5ft) long - Has straight (F) receptacle (For 220V in Switzerland)

**Sensor**

19	RM1-0572-000CN	Paper sensor PC board - Small board with optical flag sensor (Flag not included) - For sensing leading edge of paper - Mounts in the bottom right of the paper pick-up assembly
20	RM1-0574-000CN	Paper sensor PC board - Small board with optical flag sensor (Flag not included) - For sensing 'out of paper' in the paper tray - Mounts in the bottom left of the paper pick-up assembly

**Solenoid**

21	RH7-5315-000CN	24VDC Solenoid - Engages the pick-up roller gear/clutch assembly - Mounts on the right side plate assembly
----	----------------	--

**Spring**

22	RA0-1026-000CN	Torsion spring - Provides grounding connection to the toner cartridge (Photo sensitive drum) - Mounts on the inside of the right side plate assembly
23	RA0-1035-000CN	Torsion spring - Provides high voltage connection to the toner cartridge (developing cylinder) - Mounts on the left front side of the paper feed guide assembly

**Electronics/Power Cords****Spring**

- 24 RA0-1200-000CN Torsion spring - Provides high voltage connection to the toner cartridge (primary charging roller) - Mounts on the left rear side of the paper feed guide assembly
- 25 RC1-1792-000CN Torsion spring - Functions as an electrical connection between the engine control board and the transfer roller contact spring - Mounts in the lower right corner of the paper pick-up assembly

**External Case Parts****Cover**

- 26 RC1-1821-000CN Front cover - Lower front of printer - With opening for inserting the paper input tray assembly
- 27 RC1-1822-000CN Right side cover assembly - Has molded-in air intake louvers
- 28 RC1-1823-000CN Left side printer cover - Covers the USB and LIO port connectors (On the formatter board)
- 29 RC1-1852-000CN Cover Insert - Covers the unused slot under the right side plate - Mounts to the right side plate
- 30 RM1-0544-000CN Rear cover assembly - Includes rear cover and fold down face-up (or straight through) paper output tray (Tray is NOT sold separately)
- 31 RM1-0720-000CN Top cover assembly - Has face-down paper output tray molded into it

**Door**

- 32 RM1-0543-000CN Toner cartridge door - Fold down door used when accessing the toner cartridge - Mounts to the top of the front cover

**Foot**

- 33 RA0-1003-000CN Rubber foot - Used for the rear feet on the bottom of printer - Mounts on the front bottom frame of the paper pick-up assembly (two used)

**Link**

- 34 RA0-1023-000CN Connecting link - Connects between the sliding linkage on the left and right side plates and the toner cartridge access door (2 used)

**Pan**

- 35 RC1-1813-000CN Support pan (case) for the engine controller PC board - Metal pan which also acts as part of the bottom of the printer

**Screw**

- 36 RY7-5082-000CN Screw kit - Includes nine bags of different size screws - This is a complete set of screws for the LaserJet 1300 series printer

**Fusing Assembly Parts****Delivery**

- 37 RM1-0556-020CN Face-down delivery assembly - Includes the support frame, drive roller and gear, and the four spring loaded pressure rollers - Mounts in the upper rear of the fusing assembly

**Fusing Assembly**

- 38 RM1-0560-000CN Fusing assembly - Bonds toner to paper with heat (For 100V to 120V operation) - Mounts in the upper rear of the printer
- 39 RM1-0561-000CN Fusing assembly - Bonds toner to paper with heat (For 220V to 240V operation) - Mounts in the upper rear of the printer

**Gear**

- 40 RA0-1088-000CN 29 tooth gear - Mounts on the end of the pressure roller - Largest of the three gears on the fusing assembly

**Spring**

- 41 RA0-1090-000CN Tension spring - Provides upward tension for the green release lever (2 used) - Mounts in the left and right rear corners of the fusing assembly
- 42 RA0-1099-000CN Torsion spring - Provides a small amount of back pressure for the delivery sensor flag - mounts in the rear center of the fusing assembly
- 43 RA0-1115-000CN Torsion spring - Provides pressure for the lower solid rollers on the face-down paper delivery assembly (2 used)
- 44 RA0-1116-000CN Torsion spring - Provides pressure for the upper serrated rollers on the face-down paper delivery assembly (2 used)
- 45 RU5-2140-000CN Compression spring - Provides downward pressure on each end of the fusing roller (2 used) - Mounts in the upper part of the fusing assembly

**Other Accessories**
**Cleaning Supplies**

5090-3379 Toner cleaning cloth - Specially treated cloth for absorbing toner (1 per package) - Ideal for cleaning up toner spills

**Manual**

5851-1468 LaserJet printer family paper specification guide  
 Q1334-90928 HP LaserJet 1300 and LaserJet 1150 service manual

**Other Internal Parts**
**Bracket**

49 RA0-1185-000CN Left side fuser bracket ('L' Shaped) - Provides mounting support for the fusing assembly - Mounts to the upper rear corner of the left side plate  
 50 RA0-1186-000CN Right side fuser bracket ('L' Shaped) - Provides mounting support for the fusing assembly - Mounts to the upper rear corner of the right side plate

**Fan/Airflow Guide**

51 RM1-0547-000CN Fan and airflow guide assembly - Mounts to the upper front on the right side plate assembly

**Gear**

52 RA0-1176-000CN 69 tooth gear - Large gear with ribs and six small holes - Mounts on on a rod in the upper rear corner of the right side plate

**Gear Assembly**

53 RA0-1016-000CN 87 tooth / 23 tooth dual gear assembly - (Reduction gear) Drives the paper feed roller gear - Mounts on the right side plate assembly

**Guide**

RM1-0546-000CN Front guide assembly - Ribbed plastic piece that runs the width of the printer - Mounts to the front of the left and right side plates  
 55 RM1-0682-000CN Front guide assembly - Ribbed plastic piece that runs the width of the printer - Mounts to the front of the left and right side plates

**Motor**

56 RK2-0062-000CN DC stepper motor assembly - Drives all rollers and fusing assembly via the gear train on the right side - Mounts on the inside rear of the right side plate assembly

**Plate**

57 RM1-0528-000CN Left plate assembly - Left side of internal printer mechanism - Plate that the formatter PC board mounts to  
 58 RM1-0678-000CN Right side plate assembly - Includes the right side plate, drive motor, most all drive gears, and cam levers - Does not come with the pick-up roller solenoid or 69 tooth gear - Right side of the internal printer mechanism

**Spring**

59 RA0-1006-000CN Tension spring - Provides tension for the floating gear holder (drive gear for the fusing assembly) - Mounts on the right side plate assembly  
 60 RA0-1012-000CN Compression Spring - Grounds the pin in the toner cartridge drive gear - Mounts on the right side plate assembly  
 61 RA0-1026-000CN Torsion spring - Provides grounding connection to the toner cartridge (Photo sensitive drum) - Mounts on the inside of the right side plate assembly  
 62 RA0-1035-000CN Torsion spring - Provides high voltage connection to the toner cartridge (developing cylinder) - Mounts on the left front side of the paper feed guide assembly  
 63 RA0-1200-000CN Torsion spring - Provides high voltage connection to the toner cartridge (primary charging roller) - Mounts on the left rear side of the paper feed guide assembly  
 64 RA0-1212-000CN Tension spring - Provides tension for the linkage which engages the toner cartridge drive gear - Mounts on the right side plate  
 65 RC1-1765-000CN Torsion spring - Mounts under the toner cartridge retainer arm on the rear of the left side plate

**Paper Path Parts**
**Delivery**

66 RM1-0556-020CN Face-down delivery assembly - Includes the support frame, drive roller and gear, and the four spring loaded pressure rollers - Mounts in the upper rear of the fusing assembly

**Paper Path Parts****Guide**

- 67 RM1-0682-000CN Front guide assembly - Ribbed plastic piece that runs the width of the printer - Mounts to the front of the left and right side plates

**Paper Feeder**

- 68 RM1-0721-000CN Paper feed guide assembly - Support structure for the transfer roller - Black plastic frame with metal guide plates and the left high voltage contact springs for the toner cartridge - Mounts behind the paper pick-up assembly (below the toner cartridge)

**Paper Pick-Up**

- 69 RM1-0531-000CN Paper pick-up assembly - Includes the pick-up roller, paper feed roller assembly, separation pad, plastic housing and other associated parts - Mounts in the bottom of the printer

**Roller**

- 70 RL1-0303-000CN Paper Pickup Roller ('D' shaped roller) - Picks up media from the paper input tray - Clips in the holder on the paper pickup shaft
- 71 RM1-0550-000CN Transfer roller assembly - Transfers static charge to the media being printed on - Mounts in the top of the paper feed guide assembly

**Paper Pick-Up Assy Parts****Foot**

- 72 RA0-1003-000CN Rubber foot - Used for the rear feet on the bottom of printer - Mounts on the front bottom frame of the paper pick-up assembly (two used)

**Gear Assembly**

- 73 RM1-0551-000CN Gear/clutch assembly (Solenoid activated) - Includes the two gear bodies and internal spring - Drives the pickup roller in the paper pickup assembly

**Holder**

- 74 RG0-1019-000CN Roller and holder assembly - Spring loaded roller in a black plastic holder assembly - Rolls against the paper feed rollers (2 used) - Mounts on top of the paper pick-up assembly

**Lift Plate**

- 75 RM1-0532-000CN Lift plate assembly - Quartz Gray plastic plate with two Blue paper width adjusters - Mounts on the top front of the paper pick-up assembly

**Pad**

- 76 RF0-1014-000CN Separation pad assembly - Mounts on a spring loaded arm in the paper pick-up assembly

**Paper Pick-Up**

- 77 RM1-0531-000CN Paper pick-up assembly - Includes the pick-up roller, paper feed roller assembly, separation pad, plastic housing and other associated parts - Mounts in the bottom of the printer

**Roller**

- 78 RL1-0303-000CN Paper Pickup Roller ('D' shaped roller) - Picks up media from the paper input tray - Clips in the holder on the paper pickup shaft

**Sensor**

- 79 RM1-0572-000CN Paper sensor PC board - Small board with optical flag sensor (Flag not included) - For sensing leading edge of paper - Mounts in the bottom right of the paper pick-up assembly
- 80 RM1-0574-000CN Paper sensor PC board - Small board with optical flag sensor (Flag not included) - For sensing 'out of paper' in the paper tray - Mounts in the bottom left of the paper pick-up assembly

**Shaft**

- 81 RM1-0533-000CN Paper pick-up shaft assembly - Includes the shaft, the two cams, pick-up roller holder, and end cap - Mounts in the paper pick-up assembly

**Spring**

- 82 RA0-1050-000CN Compression spring - Clutch spring - Engages the center gear in the paper feed roller gear/clutch assembly - Mounts on the right side of the paper pick-up assembly
- 83 RA0-1060-000CN Compression spring - Provides upward pressure for the separation pad assembly - Mounts in the paper pick-up assembly
- 84 RA0-1061-000CN Compression Spring - Provides upward pressure for the rear of the lift plate assembly (2 Used) - Mounts on top of the paper pick-up assembly

**Paper Pick-Up Assy Parts****Spring**

- 85 RC1-1782-000CN Torsion spring - Provides a small amount of back pressure for the paper pick-up sensor flag - mounts in the bottom rear of the paper pick-up assembly
- 86 RC1-1792-000CN Torsion spring - Functions as an electrical connection between the engine control board and the transfer roller contact spring - Mounts in the lower right corner of the paper pick-up assembly

**Paper Tray Parts****Cover**

- 87 RM1-0544-000CN Rear cover assembly - Includes rear cover and fold down face-up (or straight through) paper output tray (Tray is NOT sold separately)
- 88 RM1-0554-000CN Paper tray cover assembly - Includes translucent blue plastic cover with blue plastic width adjustment guides for 'priority' paper input - Covers the LaserJet paper input tray

**Tray Assembly**

- 89 RM1-0553-000CN Printer input paper tray assembly - Includes bottom tray, paper length adjustment lever, and extension arm

Major Assembly Locator

38, 39 - **Fusing Assembly** 


 **Toner Cartridge Door** - 32

10, 11 - **Engine Control PC Board** 

 **Top Cover Assembly** - 31

5 - **LED Panel** 

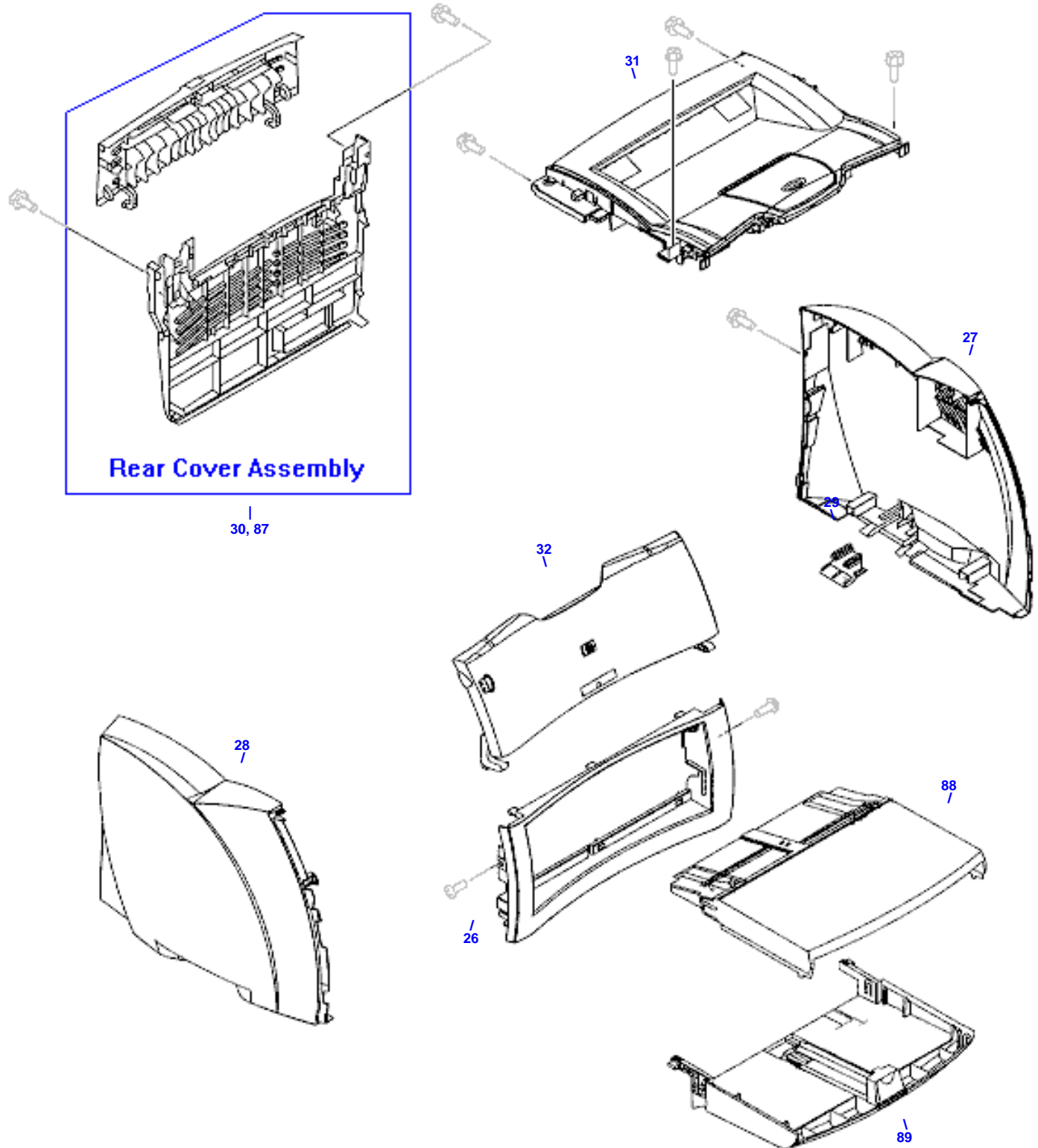
 **Input Tray Cover** - 88

68 - **Paper Feed Guide Assembly** 

 **Input Tray Assembly** - 89

69, 77 - **Paper Pick-Up Assembly** 

External Covers

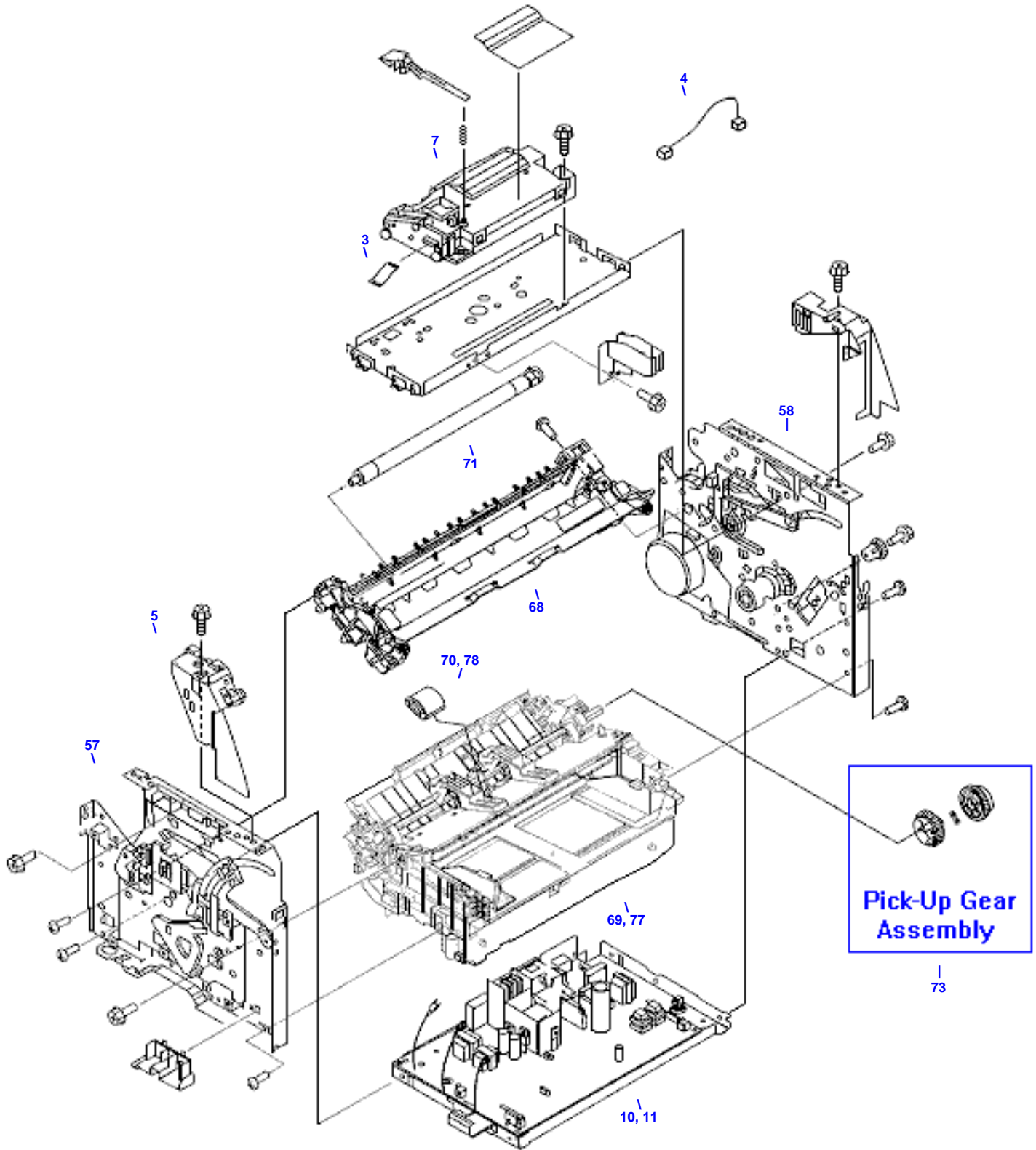




invent

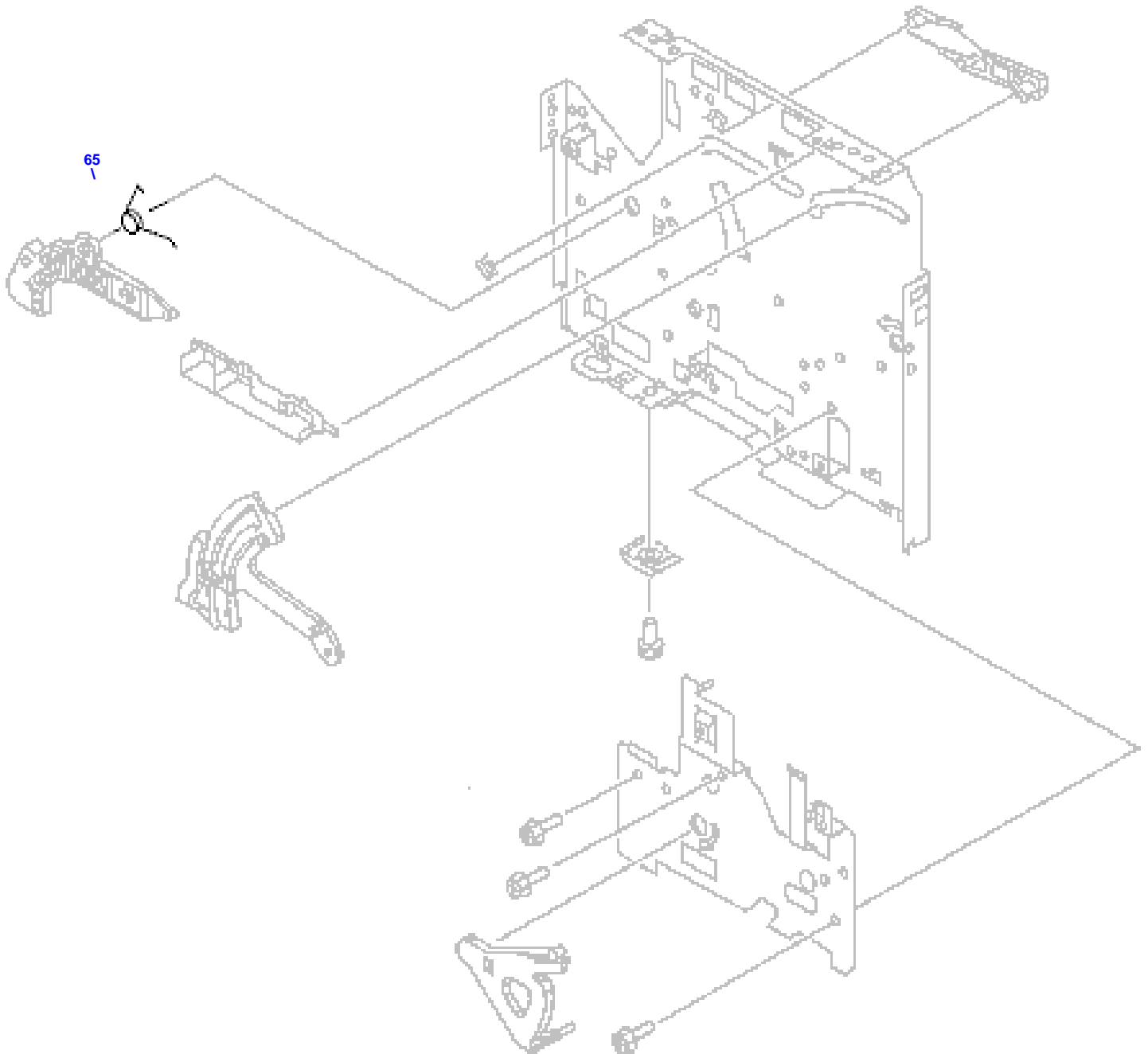
Internal Components (1 of 2)

2 of 2 →







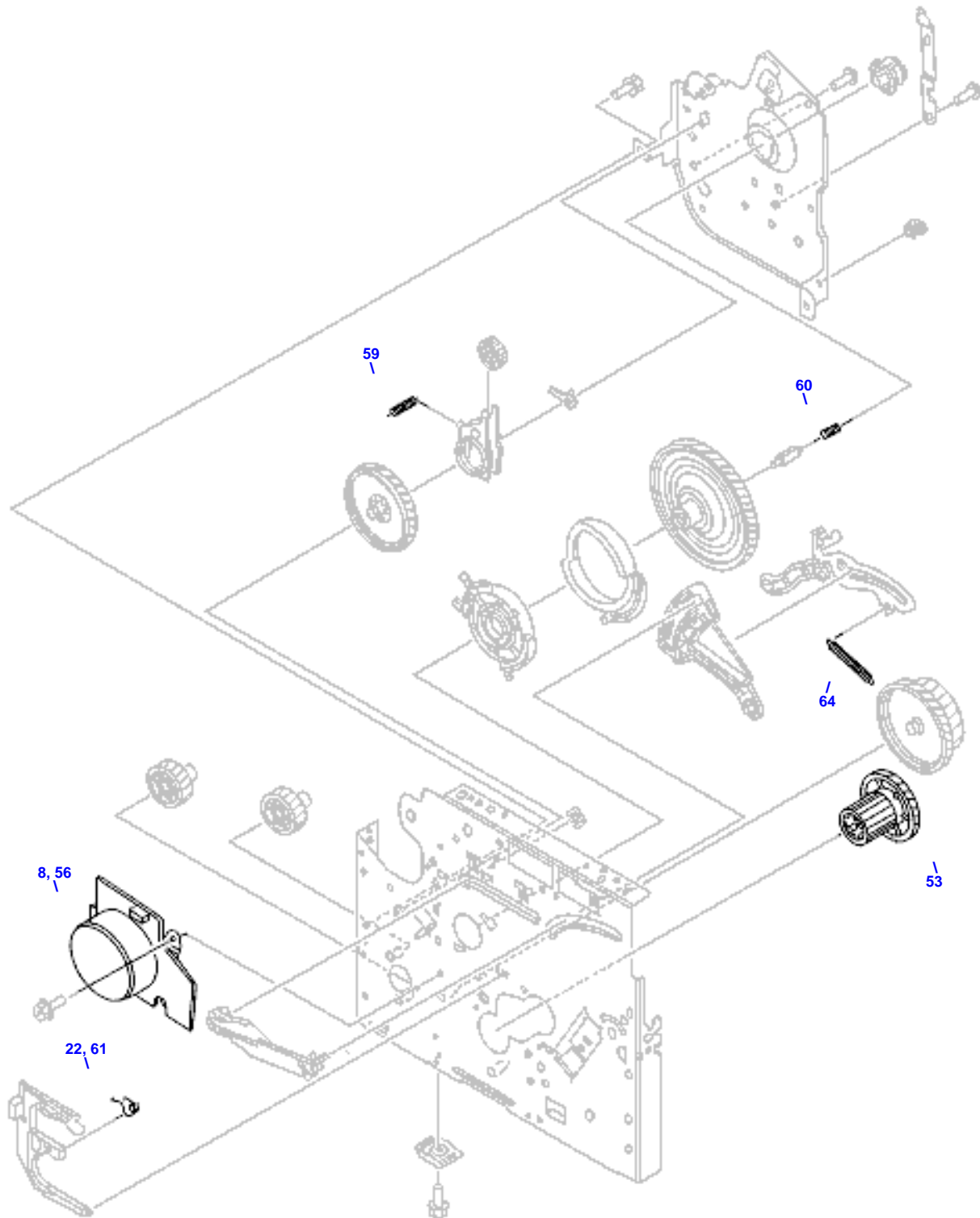
**Left Side Plate Assembly** **Left Side Plate Assembly** - 57



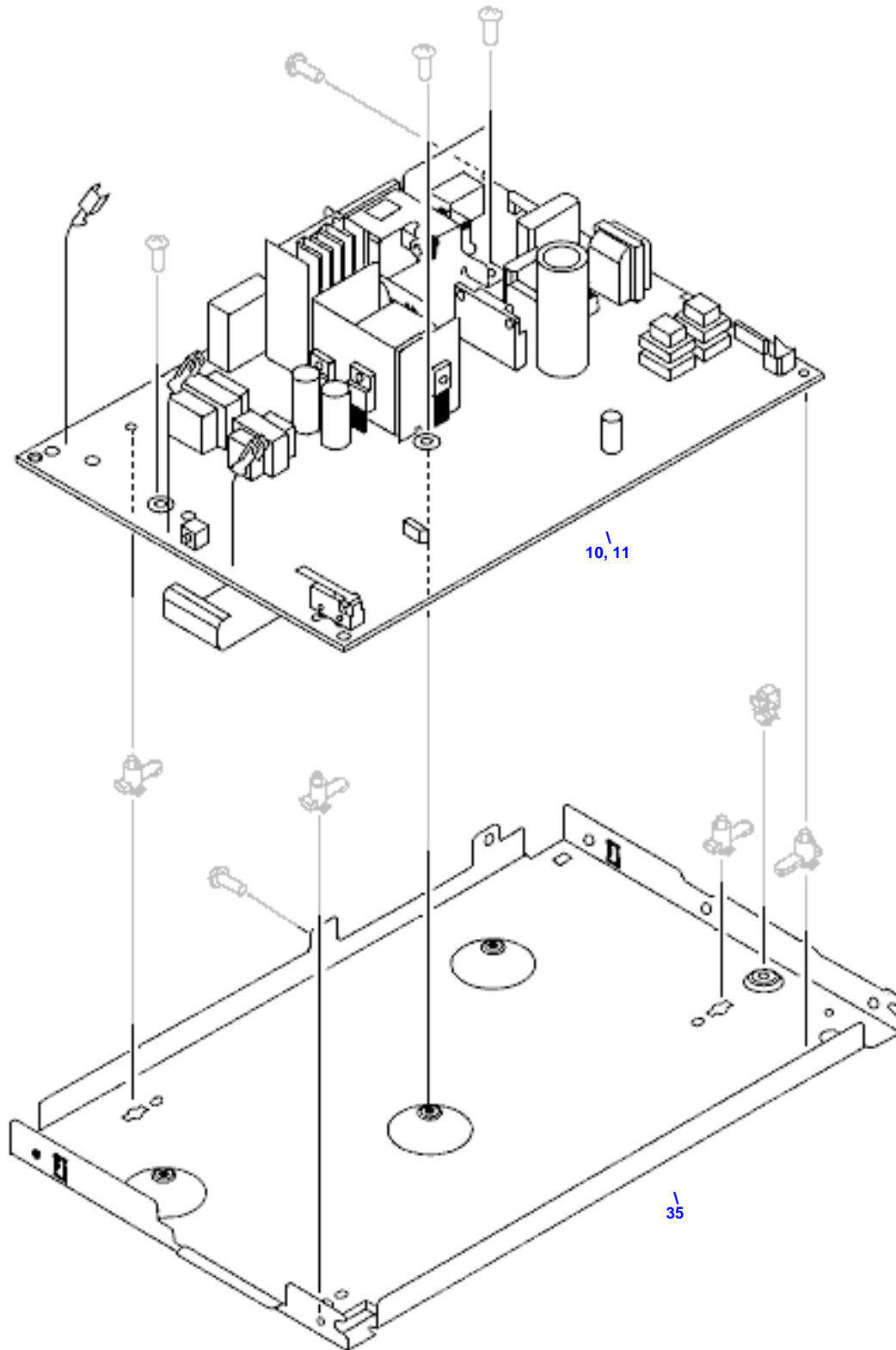
invent

Right Side Plate Assembly

 Right Side Plate Assembly - 58

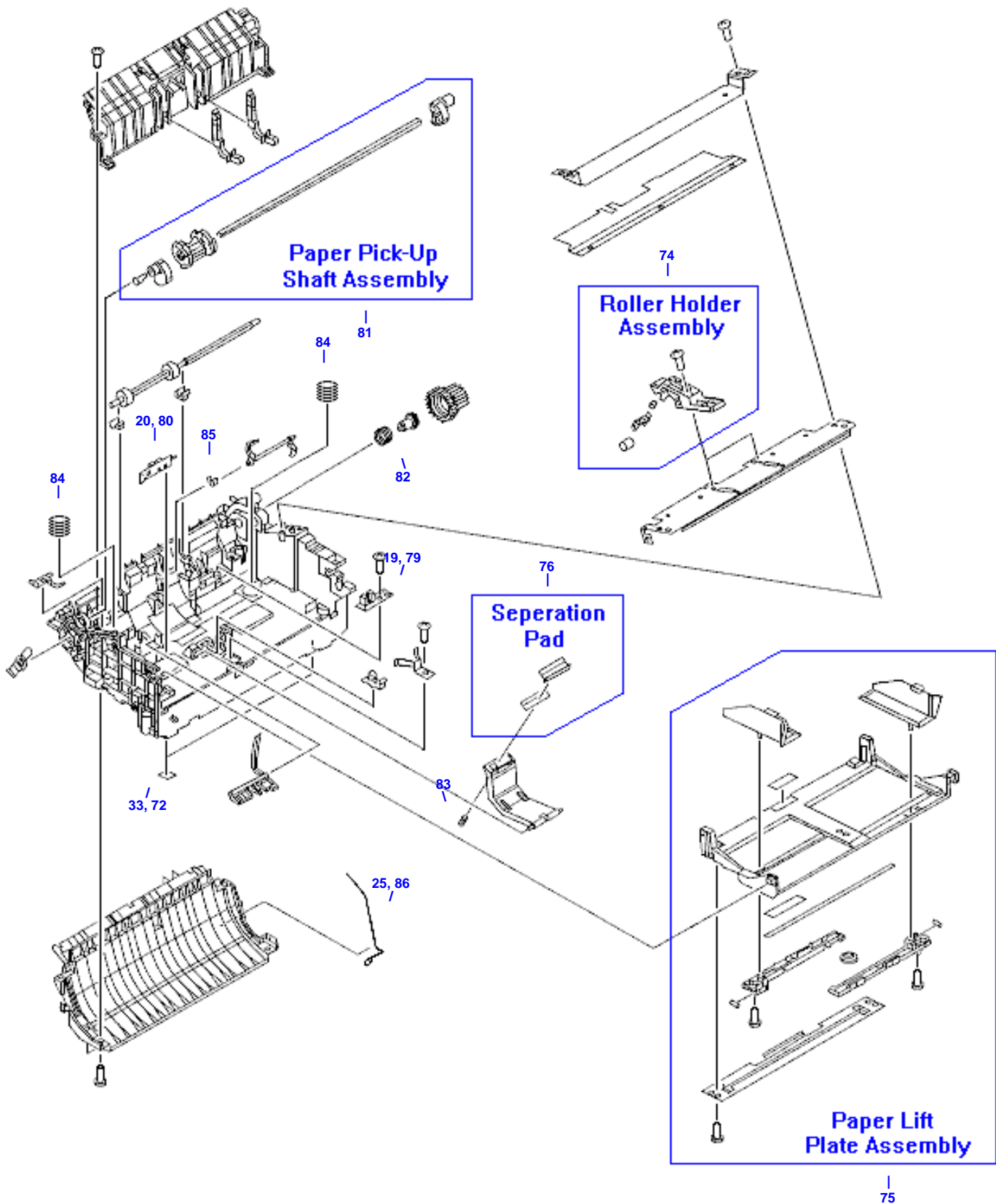


Engine Control Board and Related Parts



Paper Pick-Up Assembly

 Paper Pick-Up Assembly - 69, 77

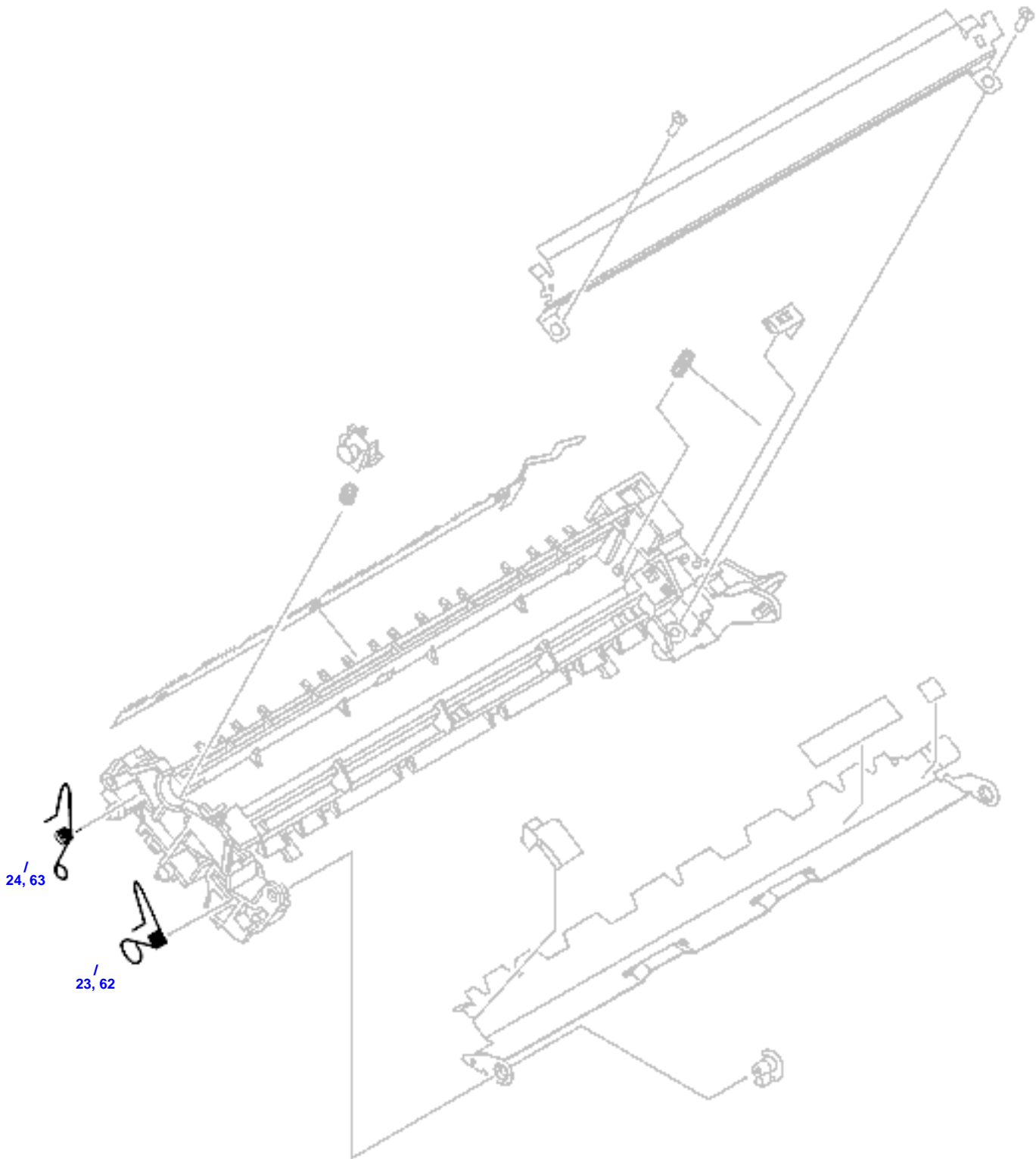




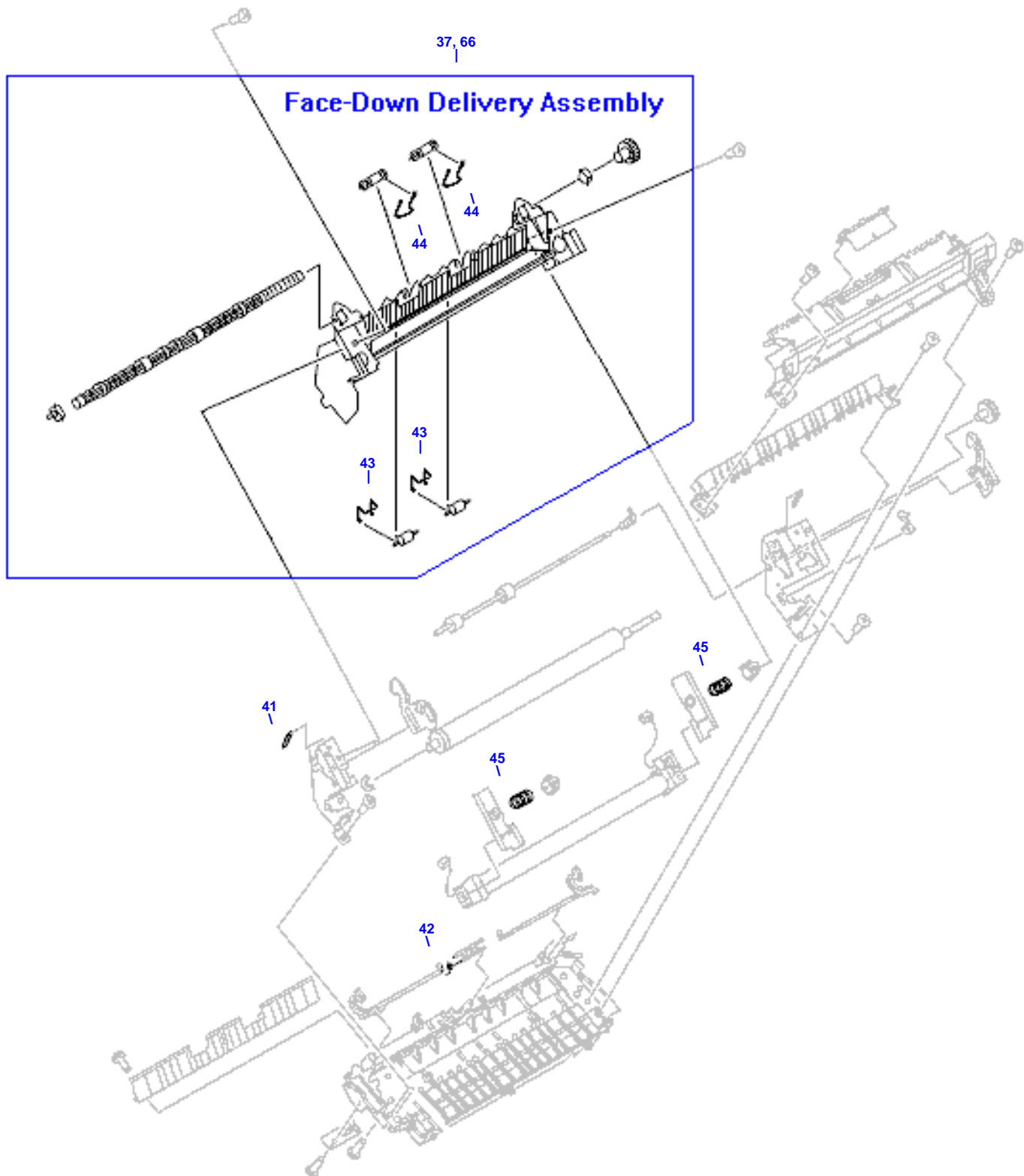
invent

Paper Feed Guide Assembly

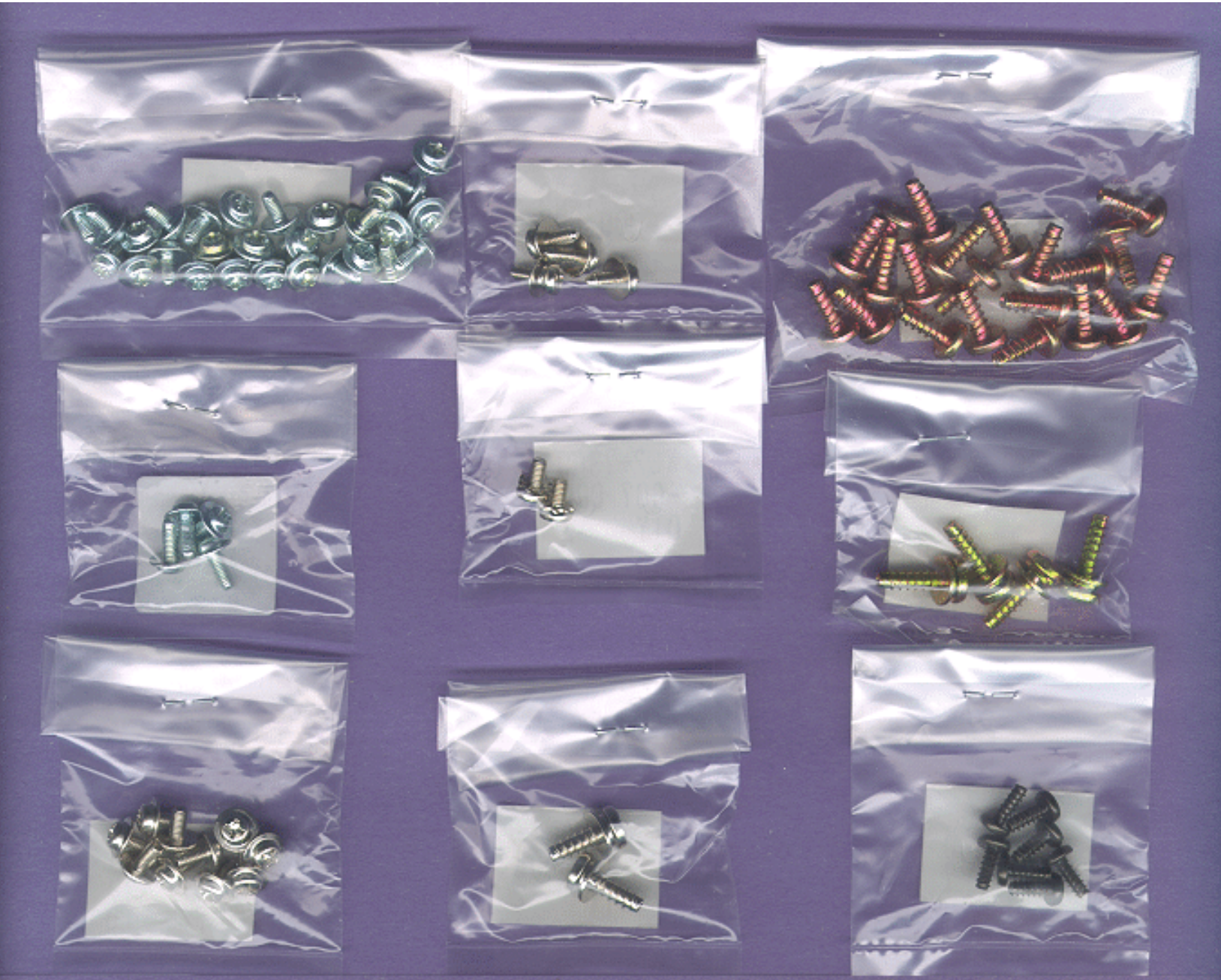
 Paper Feed Guide Assembly - 68



## Fusing Assembly

 **Fusing Assembly** - 38, 39

## Screw Kit

 LaserJet 1150 Screw Kit - 36





**HP Parts Reference Guide**

<http://www.hp.com/go/parts>

**HP PartSurfer**

<http://partsurfer.hp.com>

**HP Parts Ordering Information**

<http://www.hp.com/go/hpparts>

**HP Parts Questions/Comments**

<http://partsurfer.hp.com/contactus.htm>