

## Parts Lists and Illustrations

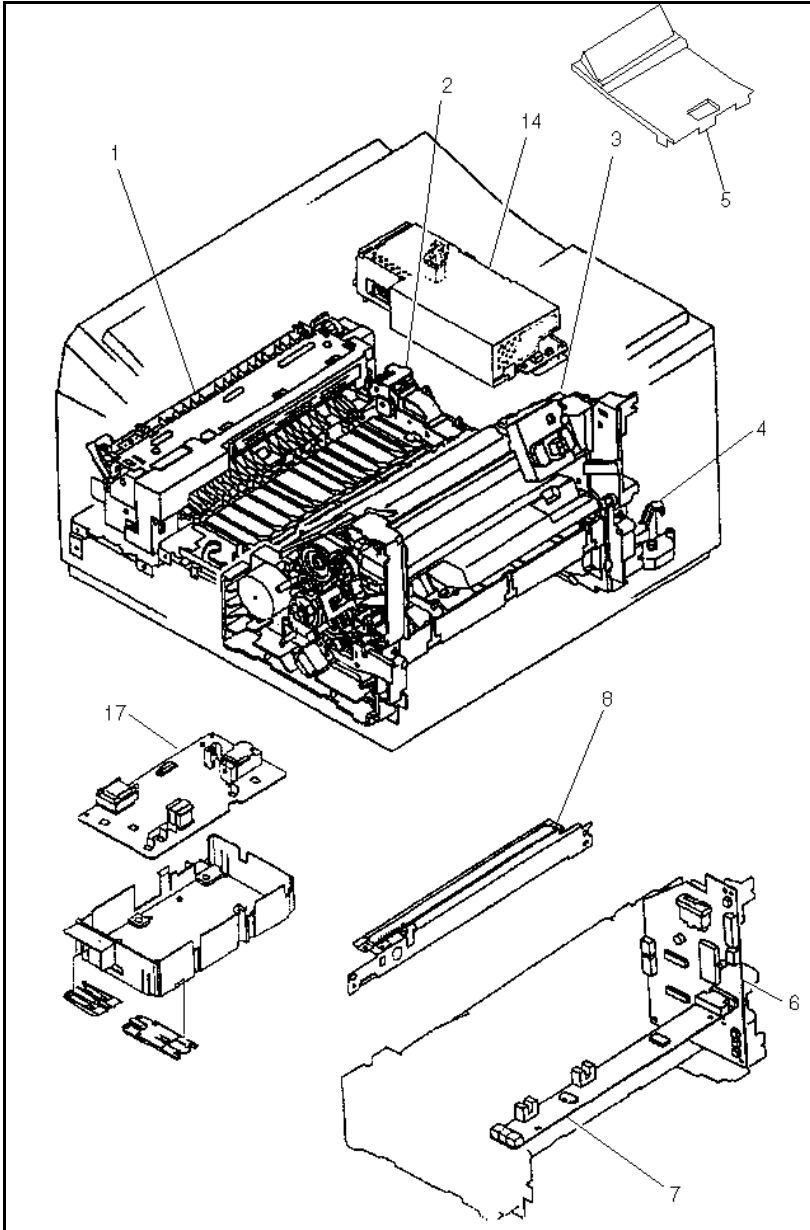


Figure 8-1a Field-Replaceable Assemblies (1 of 2)

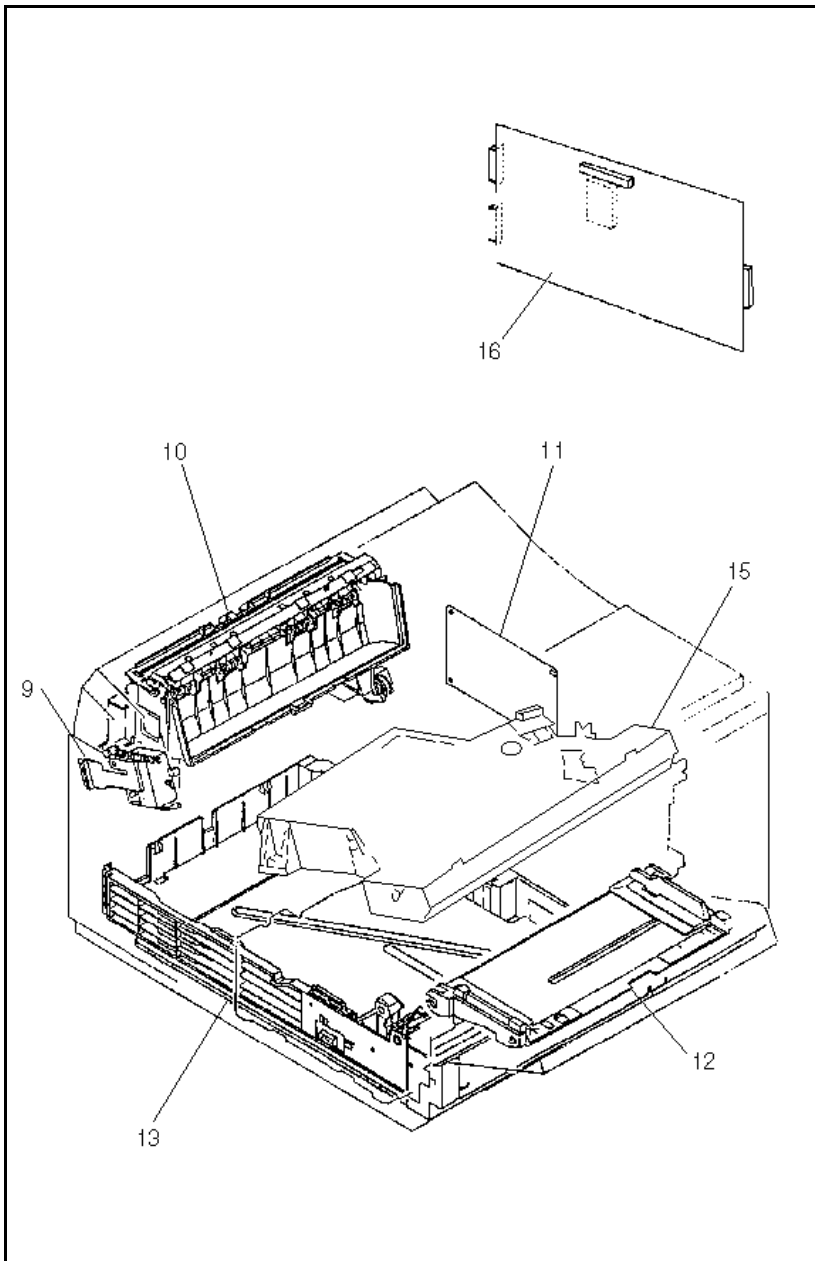


Figure 8-1b Field-Replaceable Assemblies ( 2 of 2)

**Table 8-1****Field-Replaceable Assemblies**

Part #	Ref	Exchng #	Description	Fig. #
RG5-0454-000CN RG5-0879-130CN	1	C2001-69003 C2037-69001	Fusing Ass'y (100/110V) LaserJet 4 LaserJet 4 Plus/5	8-10
RG5-0455-000CN RG5-0880-130CN	1	C2001-69004 C2037-69002	Fusing Ass'y (220/240V) LaserJet 4 LaserJet 4 Plus/5	8-10
RH7-1151-000CN RH7-1169-000CN	2		Main Motor LaserJet 4 LaserJet 4 Plus/5	8-4b
RG5-0451-000CN RG5-0877-000CN RG5-2195-000CN	3	C2001-69005 C2037-69003 C3916-69005	Paper Feed Assembly LaserJet 4 LaserJet 4 Plus LaserJet 5	8-6
RB1-2119-000CN RB1-7907-000CN	4		Main Switch Assy LJ 4 & 4+ LJ 5	8-5
RG5-0478-000CN RG5-1076-000CN RG5-2238-000CN	5	C2001-69010 C2037-69005	Display Ass'y w/o overlay LaserJet 4 LaserJet 4 Plus LaserJet 5	8-3
RG5-0512-000CN	6		Paper Control PCA	8-6a
RG5-0514-000CN	7		Sensor PCA	8-6b
RG5-0469-000CN	8		Transfer Guide Assembly	8-1a
RG5-0475-060CN	9		Paper Output Sensor Ass'y	8-9
RG5-0456-000CN RG5-0886-000C RG5-2189-000CN	10		Paper Output Assembly LaserJet 4 LaserJet 4 Plus LaserJet 5	8-8
RG5-0511-000CN RG5-0966-030CN	11	C2001-69002 C2037-69004	DC Controller PCA LaserJet 4 LaserJet 4 Plus/5	8-1b
RG5-0472-000CN RG5-0888-000CN RG5-2199-000CN	12		MP Tray (Tray 1) LaserJet 4 LaserJet 4 Plus LaserJet 5	8-7

Table 8-1

## Field-Replaceable Assemblies (continued)

Part #	Ref	Exchng #	Description	Fig. #
C2085B C2085E C3925A	13		PC Tray (Tray 2) (ltr) LaserJet 4 LaserJet 4 Plus LaserJet 5	8-14
C2085C C2085F C3926A	13		PC Tray (Tray 2) (A4) LaserJet 4 LaserJet 4 Plus LaserJet 5	8-14
RG5-0531-000CN RG6-2499-000CN	14	C2001-69007 C2037-69006	Power Supply (100/120V) LaserJet 4 LaserJet 4 Plus/5	8-1a
RG5-0553-000CN RG5-2500-000CN	14	C2001-69008 C2037-69007	Power Supply (220/240V) LaserJet 4 LaserJet 4 Plus/5	8-1a
RG5-0449-000CN RG5-0903-070CN	15	C2001-69006 C2037-69008	Laser/Scanner Ass'y LaserJet 4 LaserJet 4 Plus/5	8-1b
C2002-67901 C2038-60004 C3919-67901	16	C2002-69001 C2038-69004 C3919-69001	Formatter PCA LaserJet 4 LaserJet 4 Plus LaserJet 5	8-1b
RG5-0513-000CN RG5-0969-040CN	17	C2001-69009 C2037-69009	High Voltage Power Supply LaserJet 4 LaserJet 4 Plus/5	8-1a

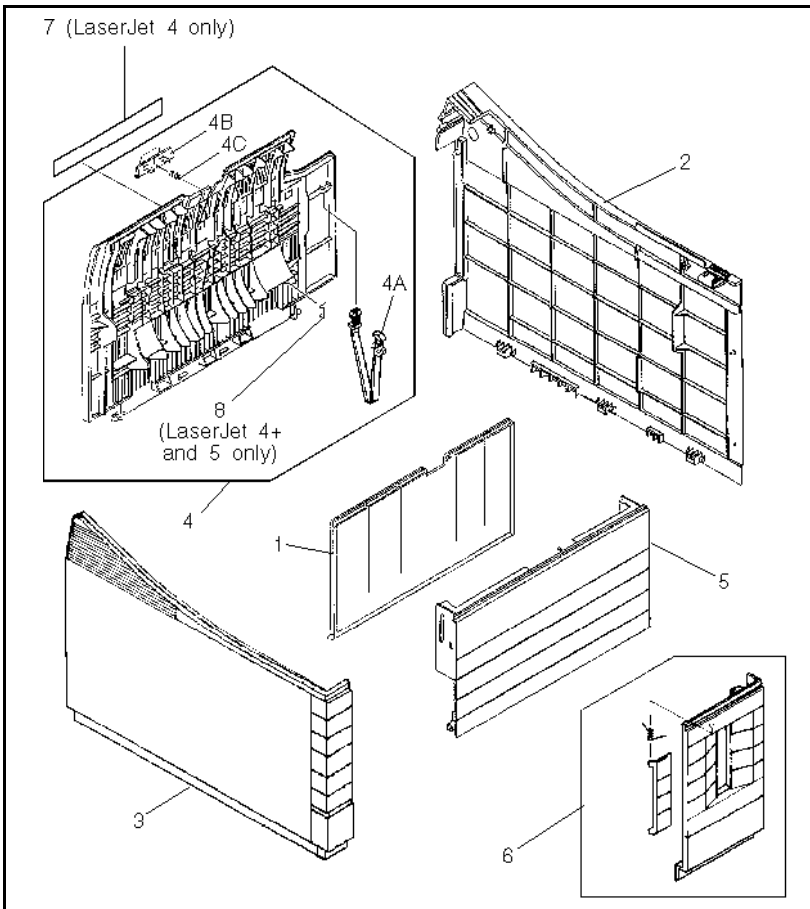


Figure 8-2 Covers and Panels

**Table 8-2**      **Covers and Panels**

Ref	Part #	Notes	Description
1	RB1-2143-000CN RB1-3558-000CN RB1-7885-000CN	LJ4 LJ4+ LJ5	MP Tray Extender
2	RB1-2346-000CN RB1-3470-000CN RF5-1644-000CN	LJ4 LJ4+ LJ5	Right Cover
3	RB1-2347-000CN RB1-3471-000CN RB1-7881-000CN	LJ4 LJ4+ LJ5	Left Cover
4	RF5-0533-000CN RF5-0733-000CN RF5-1645-000CN	LJ4 LJ4+ LJ5	Rear Door Assembly
4A	RB1-2354-000CN		Rear Door Support Strap
4B	RB1-2335-000CN RB1-7890-000CN	LJ4/4+ LJ5	Rear Door Latch
4C	RS5-2219-000CN RS5-2571-000CN	LJ4/4+ LJ5	Rear Door Spring
5	RB1-2351-000CN RB1-3559-000CN RB1-7886-000CN	LJ4 LJ4+ LJ5	MP Door
6	RG5-0459-000CN RB1-7889-000CN	LJ4/4+ LJ5	Font Door Cover Right Front Cover
7	RS5-8205-000CN	LJ4	Label 110/115V
7	RS5-8916-000CN	LJ4	Label 220/240V
8	RB1-3475-000CN	LJ4+	Rear Door Retainer

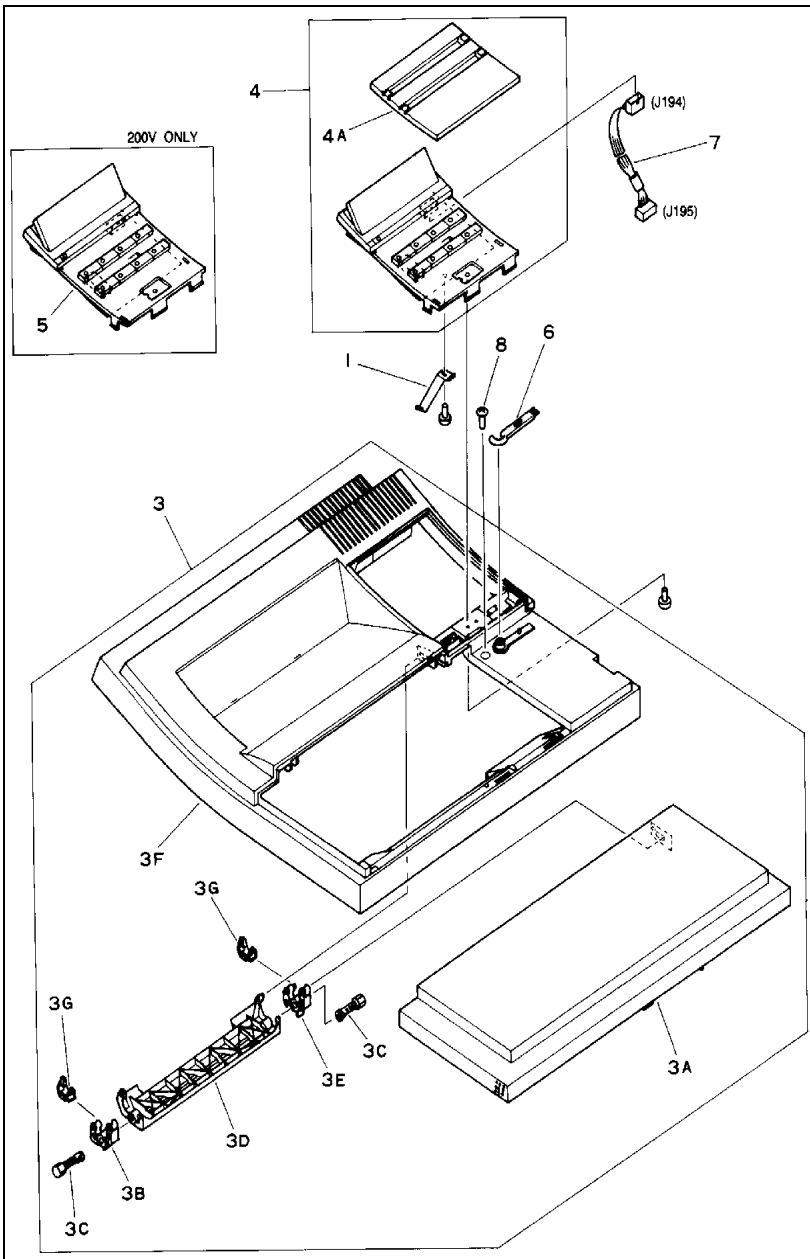


Figure 8-3a Top Cover Assembly for LaserJet 4/4+

**Table 8-3a**      **Top Cover Assembly**

Ref	Part #	Notes	Description
1	RB1-2330-000CN	S	Spring, Leaf
3	RG5-0458-000CN RG5-0872-000CN	LJ4 LJ4+	Upper Cover Assembly
3A	RB1-2322-000CN RB1-3474-000CN	LJ4 LJ4+	Top Cover Door
3B	RB1-2323-000CN		Hinge, Bracket
3C	RB1-2324-000CN	2 ea.	Hinge, Pin
3D	RB1-2329-000CN RB1-3473-000CN	LJ4 LJ4+	Hinge, Arm
3E	RB1-2364-000CN		Hinge, Bracket
3F	RF5-0360-000CN RF5-0732-000CN	LJ4 LJ4+	Cover, Upper
3G	RB1-2314-000CN	2 ea.	Stop, Hinge
4	RG5-0533-000CN C2001-69010 RG5-1077-000CN C2037-69005	LJ4 Exchange LJ4+ Exchange	Display Ass'y (English)
4A	RB1-2359-000CN RB1-3476-000CN	LJ4 LJ4+	Overlay (English)
	<b>Exchange Part Numbers</b>		Overlays
4A	C2001-40001 C2001-40002 C2001-40003 C2001-40004 C2001-40005 C2001-40006 C2001-40007 C2001-40008 C2001-40009 C2001-40010 C2001-40011 C2001-40012 C2001-40013 C2037-40014	LJ4	English French German Italian Spanish Norwegian Swedish Danish Finnish Dutch Polish Turkish Portugese European English

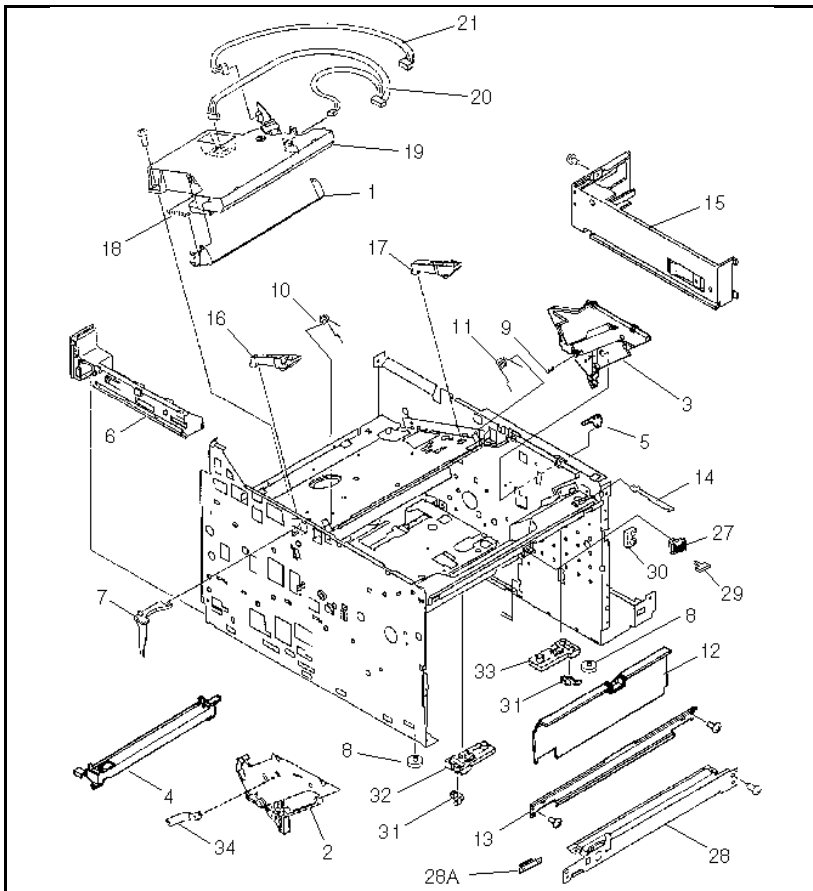


Ref	Part #	Notes	Description
4A	C2037-40001 C2037-40002 C2037-40003 C2037-40004 C2037-40005 C2037-40006 C2037-40007 C2037-40008 C2037-40009 C2037-40010 C2037-40011 C2037-40012 C2037-40013 C2037-40014	LJ4+	English French German Italian Spanish Norwegian Swedish Danish Finnish Dutch Polish Turkish Portugese European English
5	RG5-0478-000CN RG5-1076-000CN	LJ4 LJ4+	Display Ass'y (W/O overlay)
6	RB1-2260-000CN		Brush, cleaning
7	RG5-0519-000CN RG5-0982-000CN	LJ4 LJ4+	Cable, Display Panel
8	XA9-0591-000CN		Screw with Washer (M3 x 8)



**Table 8-3b**      **Top Cover Assembly**

Ref	Part #	Notes	Description
1	RB1-7895-000CN		Tool, Hook
2	RB1-7893-000CN	S	Spring, Leaf
3	RG5-2186-000CN		Upper Cover Assembly
3A	RB1-7894-000CN		Hinge Stop
3B	RB1-7883-000CN		Top Cover Door
3C	RF5-1643-000CN		Cover, Upper
	RG5-0982-000CN		Cable, Control Panel (not shown)
5	RG5-2238-000CN		Display Ass'y (W/O overlay)
6	RB1-7887-000CN		Display Cover (part of item 3)
	<b>Part Numbers</b>		Overlay Language
7	C3916-40005 C3916-40006 C3916-40007 C3916-40008 C3916-40009 C3916-40010 C3916-40011 C3916-40012 C3916-40013 C3916-40014 C3916-40015 C3916-40016 C3916-40017 C3916-40018 C3916-40019 C3916-40020 C3916-40021 C3916-40022 C3916-40023 C3916-40025 C3916-40026		English French Italian German Spanish Norwegian Danish Portugese Dutch Finnish Polish Swedish Traditional Chinese Korean Simplified Chinese Turkish Japanese Hungarian Czechoslovakian Thai Russian



**Figure 8-4a Internal Components (1 of 4)**

**Table 8-4a Internal Components (Section 2)**

Ref	Part #	Notes	Description
1	RB1-2080-000CN		Shutter, laser
2	RB1-2100-000CN RB1-5730-000CN	LJ4/4+ LJ5	Guide, Cartridge
3	RB1-2101-020CN		Guide, Cartridge
4	RB1-2105-030CN		Support, Cartridge
5	RB1-2106-000CN	S	Plate, grounding
6	RB1-2107-000CN RB1-7913-000CN	LJ4/4+ LJ5	Guide, Cassette, Left

7	RB1-2111-030CN		Shutter, arm
8	RB1-2114-000CN	Qty 5	Foot
9	RS5-2218-000CN		Spring, Compression
10	RB1-2122-000CN		Shutter Spring, Torsion
11	RB1-5732 -000CN		Spring, Torsion
12	RB1-2141-000CN RB1-7888-000CN	LJ4/4+ LJ5	Cover, Inner
13	RB1-2353-000CN RF5-1648-000CN	LJ4/4+ LJ5	Holding Plate
13A	RB1-7901-000CN	LJ5	Mount, Tray 1 Door (not shown-part of 13)
14	RB1-2358-000CN RB1-2966-000CN	LJ4/4+ LJ5	Spring, Switch
15	RF5-0363-000CN RF5-1079-000CN RF5-1657-000CN	LJ4 LJ4+ LJ5	Guide, Cassette, Right
16	RF5-0365-000CN RB1-7917-000CN	LJ4/4+ LJ5	Plate, Pressure, Left
17	RF5-0366-000CN RB1-7918-000CN	LJ4/4+ LJ5	Plate, Pressure, Right
18	RS5-2170-000CN	Qty 2	Spring, Tension
19	RG5-0449-000CN RG5-0903-070CN	LJ4 LJ4+/5	Laser/Scanner Ass'y
19	C2001-69006 C2037-69008	LJ4 LJ4+/5	Laser/Scanner Ass'y (exchg)
20	RG5-0520-000CN RG5-0975-000CN	LJ4 LJ4+/5	Cable, D.C. Cont/Scanner
21	RG5-0556-000CN RG5-0976-000CN	LJ4 LJ4+/5	Cable, D.C. Cont/laser
27	RB1-2125-000CN RB1-3560-000CN	LJ4 LJ4+	Holder, Latch
28	RG5-0469-020CN		Transfer Guide Ass'y
28A	RB1-2237-020CN		Static Eliminator
29	XZ9-0340-000CN XZ9-0379-000CN	LJ4 LJ4+	Front Door Latch
30	RB1-7908-000CN	LJ 4+/5	Cable Clip
31	RB1-7902-000CN	LJ5	Click, Tray 1 Door (Qty 2)
32	RB1-7903-000CN	LJ5	Guide, Click, Left
33	RB1-7923-000CN	LJ5	Guide, Click, Right
34	RB1-5731-000CN	LJ5	Spring, Left Cartridge Guide

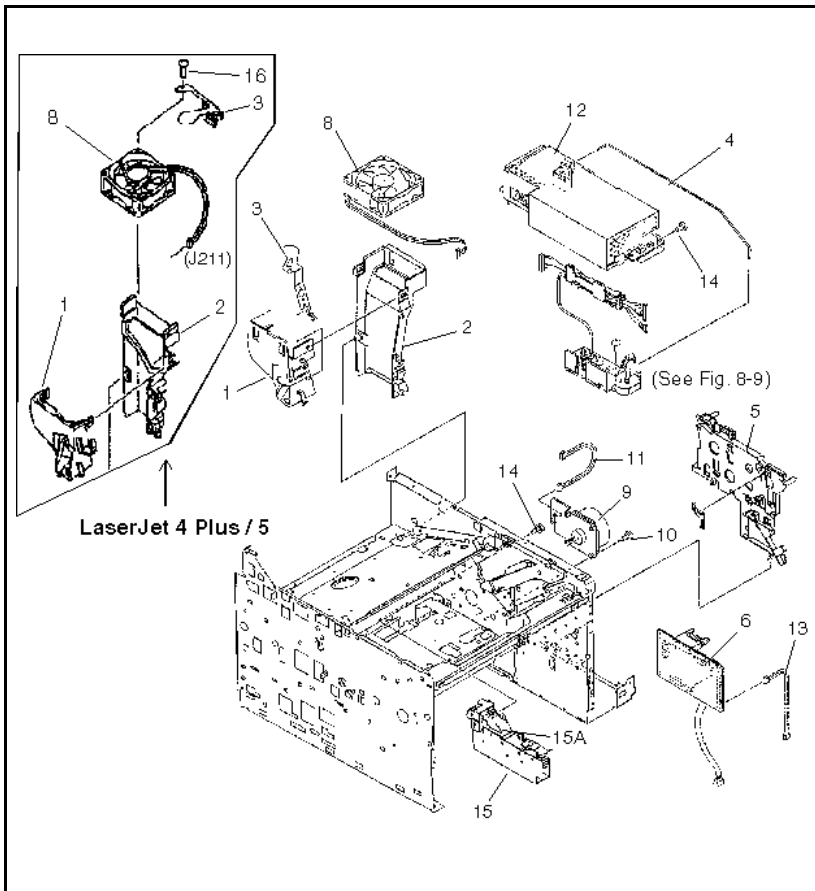


Figure 8-4b Internal Components (2 of 4)

Table 8-4b

## Internal Components (Section 2)

Ref	Part #	Notes	Description
1	RB1-2112-000CN RB1-3544-000CN	LJ4 LJ4+/5	Exhaust Duct
2	RB1-2113-000CN RF5-0748-000CN	LJ4 LJ4+/5	Exhaust Duct Cover
3	RB1-2350-000CN RB1-3547-000CN	LJ4 LJ4+/5	Exhaust Fan Cover
4	RB1-2352-000CN RB1-7896-000CN	LJ4/4+ LJ5	Rod
5	RF5-0470-000CN RF5-0743-000CN RF5-1653-000CN	LJ4 LJ4+ LJ5	Mount, DC Controller
6	RG5-0511-000CN RG5-0966-030CN	LJ4 LJ4+/5	DC Controller PCA
6	C2001-69002 C2037-69004	LJ4 LJ4+/5	DC Controller PCA (exchange)
8	RH7-1143-000CN RH7-1177-000CN RH7-1178-000CN	LJ4 LJ4+ LJ5	Exhaust Fan
9	RH7-1151-000CN RH7-1169-000CN	LJ4 LJ4+/5	Motor, Main Drive
10	XA9-0585-000CN	4 ea	Screw w/washer
11	RG5-0538-000CN RG5-0978-000CN	LJ4 LJ4+/5	Cable, Main Motor
12	RG5-0531-000CN RG5-2499-000CN	LJ4 LJ4+/5	Power Supply Assembly 100/115V
12	C2001-69007 C2037-69006	LJ4 LJ4+/5	Power Supply Assembly (exchnng) 100/115V
12	RG5-0553-000CN RG5-2500-000CN	LJ4 LJ4+/5	Power Supply Assembly 220/240V
12	C2001-69008 C2037-69007	LJ4 LJ4+/5	Power Supply Assembly (exchnng) 220/240V
13	RG5-0526-000CN		Cable, Low Voltage, Fuser Drive
14	FA9-1449-000CN XA9-0267-000CN	LJ4 (4 ea.) LJ4+/5 (2 ea.)	Screw, w/ washer
15	RG5-0457-000CN RG5-0876-050CN	LJ4 LJ4+/5	Drive Gear Ass'y
15A	RB1-2318-000CN RB1-3481-020CN	LJ4 LJ4+/5	Drive Gear Cover
16	XA9-0668-000CN	LJ4+/5	Screw w/ washer, M3X29.5

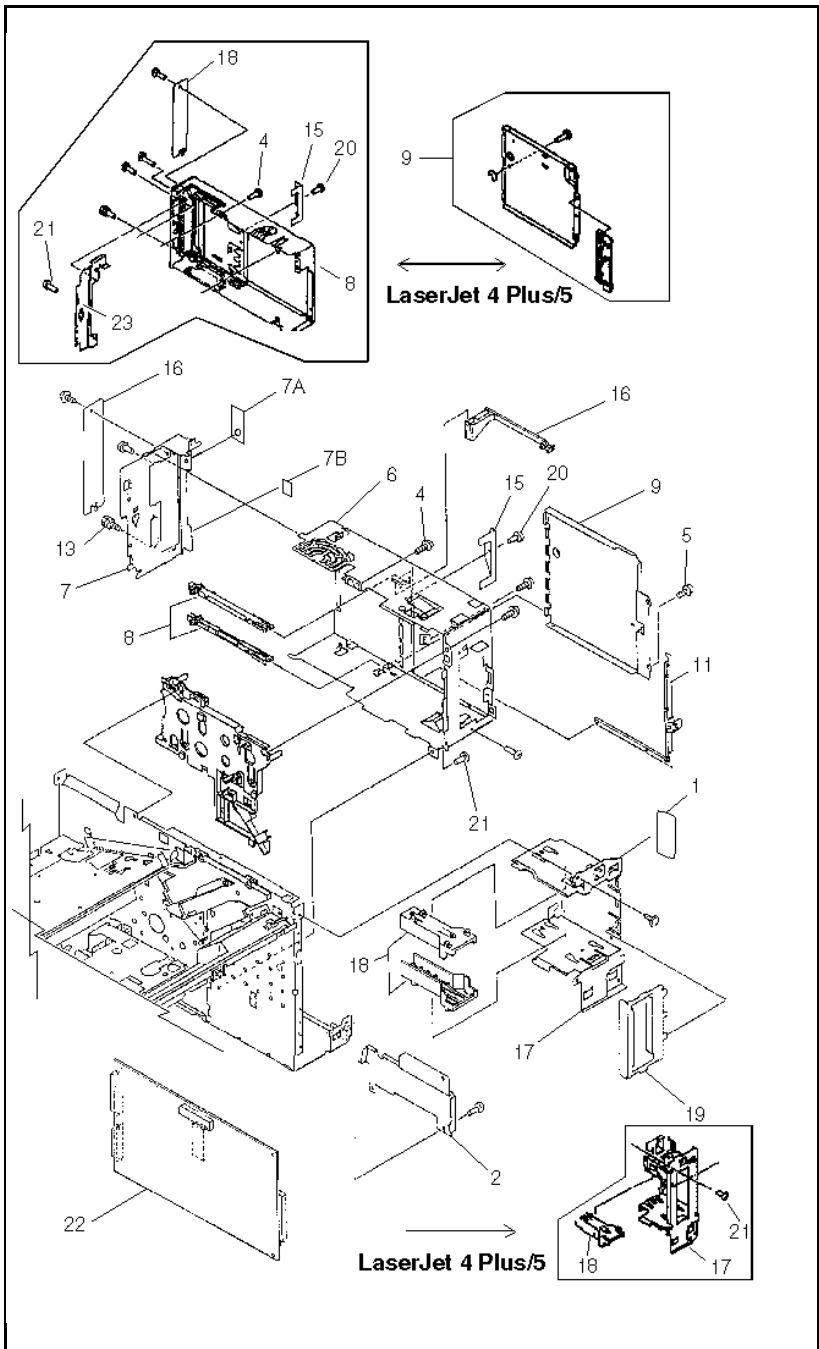


Figure 8-4c Internal Components (3 of 4)



Table 8-4c

## Internal Components (Section 3)

Ref	Part #	Notes	Description
1	RS5-8219-000CN	S	Label
2	RB1-2357-000-CN RB1-7897-000CN	LJ4/4+ LJ5	Cover, Connector
4	XA9-0584-000CN XA9-0670-000CN	LJ4 LJ4+/5	Screw, w/ spring washer
5	XA9-0574-000CN		Screw, 5mm hex head
6	RF5-0471-000CN RF5-0746-000CN RF5-1647-000CN	LJ4 LJ4+ LJ5	Plate, Shield
7	RF5-0355-000CN	LJ4	Panel, I/O
7A	RB1-2312-000CN	LJ4	Sheet
7B	RB1-2313-000CN	LJ4	Sheet
8	RB1-2341-000CN	S	Guide, I/O Option, (LJ4 only)
9	RB1-2343-000CN RF5-0739-000CN RF5-1654-000CN	LJ4 LJ4+ LJ5	Cover, SIMM Board
11	RB1-2363-000CN	S	Cover, Edge, (LJ4 only)
13	XA9-0400-000CN XA9-0704-000CN	LJ4 LJ4+/5	Lock, Nut
15	RB1-2365-000CN RB1-3493-000CN	LJ4 LJ4+/5	Plate, PCA Holding
16	RB1-2366-000CN	S	Cover, Option board
17	RB1-2366-000CN RB1-3496-000CN RB1-7898-000CN	LJ4 LJ4+ LJ5	Shield, Font Cover Shield, Cover
18	RB1-2337-000CN RB1-3497-000CN	LJ4 LJ4+	Guide, Font Cartridge
19	RB1-2338-000CN	S	Plate, Shield, (LJ4 only)
20	XB6-7300-409CN XA9-0670-000CN	LJ4 LJ4+/5	Screw, M3x4 Screw, M3x6
21	XA9-0617-000CN XA9-0267-000CN	LJ4 LJ4+/5	Screw, M3x6

Ref	Part #	Notes	Description
22	C2002-67901 C2038-60004 C3919-67901	LJ4 LJ4+ LJ5	Formatter PCA
22	C2002-69001 C2038-69004 C3919-69001	LJ4 LJ4+ LJ5	Formatter PCA (Exchange)
23	RB1-3494-000CN RB1-7892-000CN	LJ4+ LJ5	Plate, Reinforcement

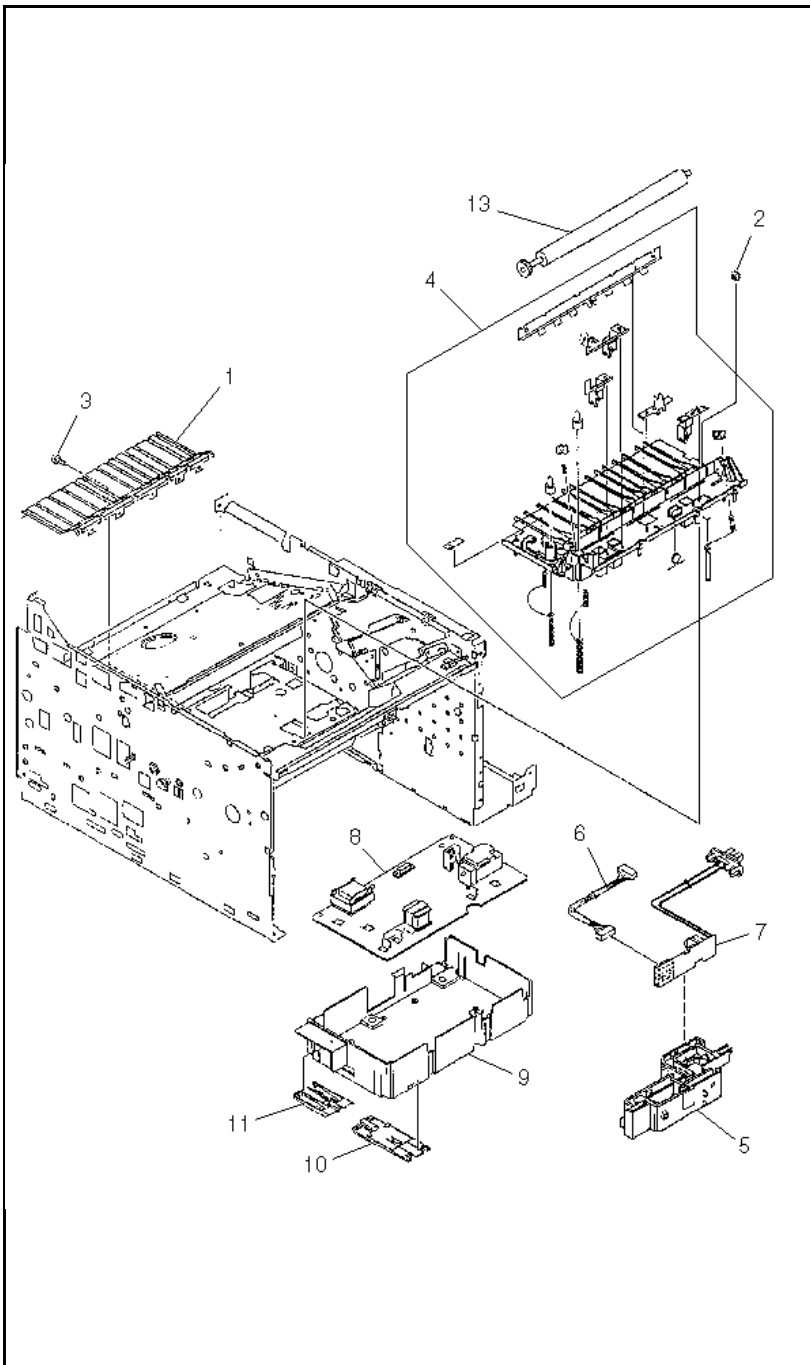


Figure 8-4d Internal Components (4 of 4)

Table 8-4d

## Internal Components (Section 4)

Ref	Part #	Notes	Description
1	RB1-2236-000CN		Guide, Feeder
2	RB1-2253-000CN		Roller, Guides (6)
3	XA9-0623-000CN		Hex Head Screw
4	RG5-0468-000CN RG5-2192-000CN	LJ4/4+ LJ5	Transfer Block Ass'y
5	RB1-2251-000CN		Block, Connecting
6	RG5-0521-000CN RG5-0979-000CN	LJ4 LJ4+/5	Cable, D.C. Controller /Interconnect PCA
7	RG5-0515-000CN		Connector PCA Ass'y
8	RG5-0513-000CN RG5-0969-040CN	LJ4 LJ4+/5	High Voltage PCA
8	C2001-69009 C2037-69009	LJ4 LJ4+/5	High Voltage PCA (exchnng)
9	RB1-2226-000CN		Cover, High Voltage
10	RF5-0369-040CN		Holder, Paper, Front
11	RB1-2259-040CN		Holder, Paper, Rear
13	RF5-0349-000CN		Roller, Transfer

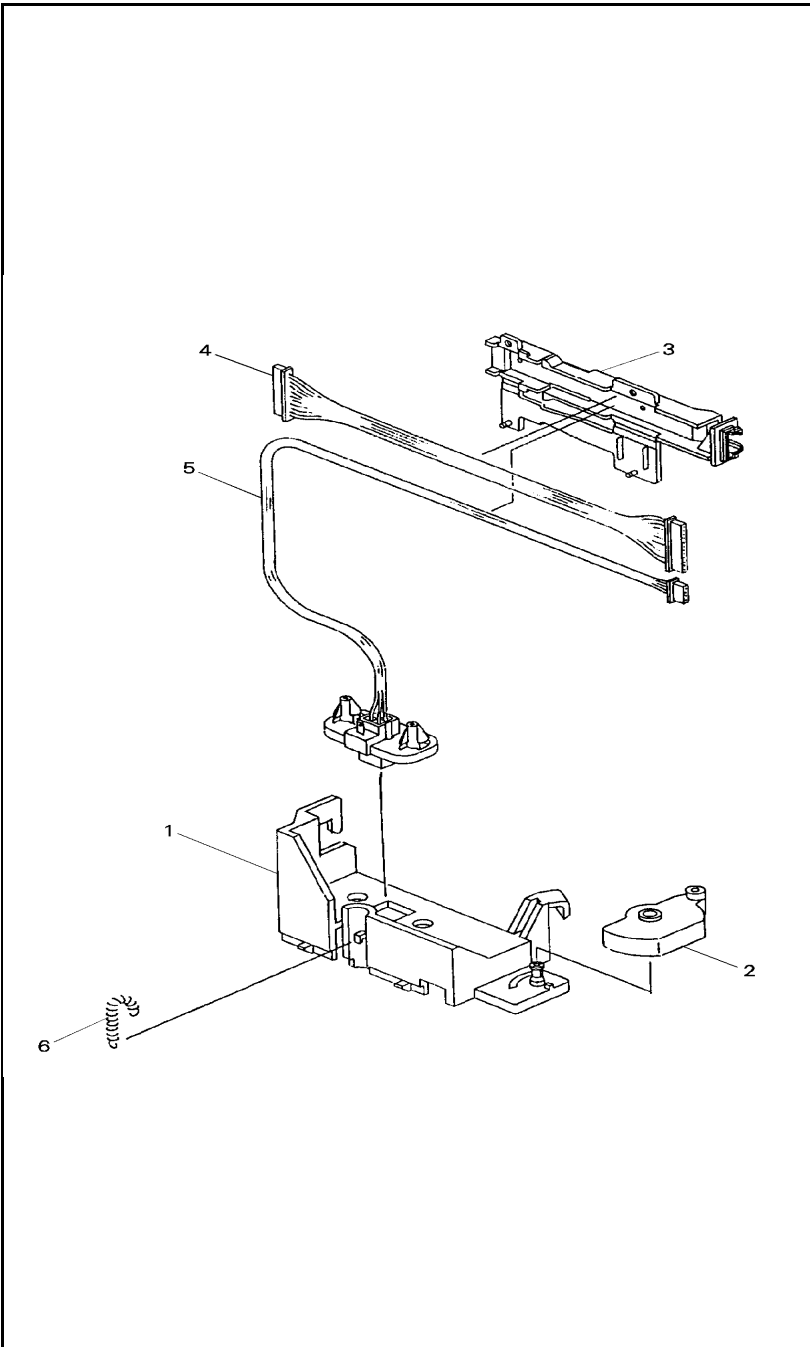


Figure 8-5 Main Switch Assembly

**Table 8-5****Main Switch Assembly**

Ref	Part #	Notes	Description
1	RB1-2118-000CN RB1-7906-000CN	LJ4/4+ LJ5 S	Base, Switch Mounting
2	RB1-2119-000CN RB1-7907-000CN	LJ4/4+ LJ5 S	Switch
3	RB1-2345-000CN	S	Cover (LJ4/4+ only)
4	RG5-0524-000CN	J201/ J601	Cable, Paper Control PCA/ DC Controller
5	RG5-0530-000CN	J603/ J135	Cable, Lower Feed Assembly

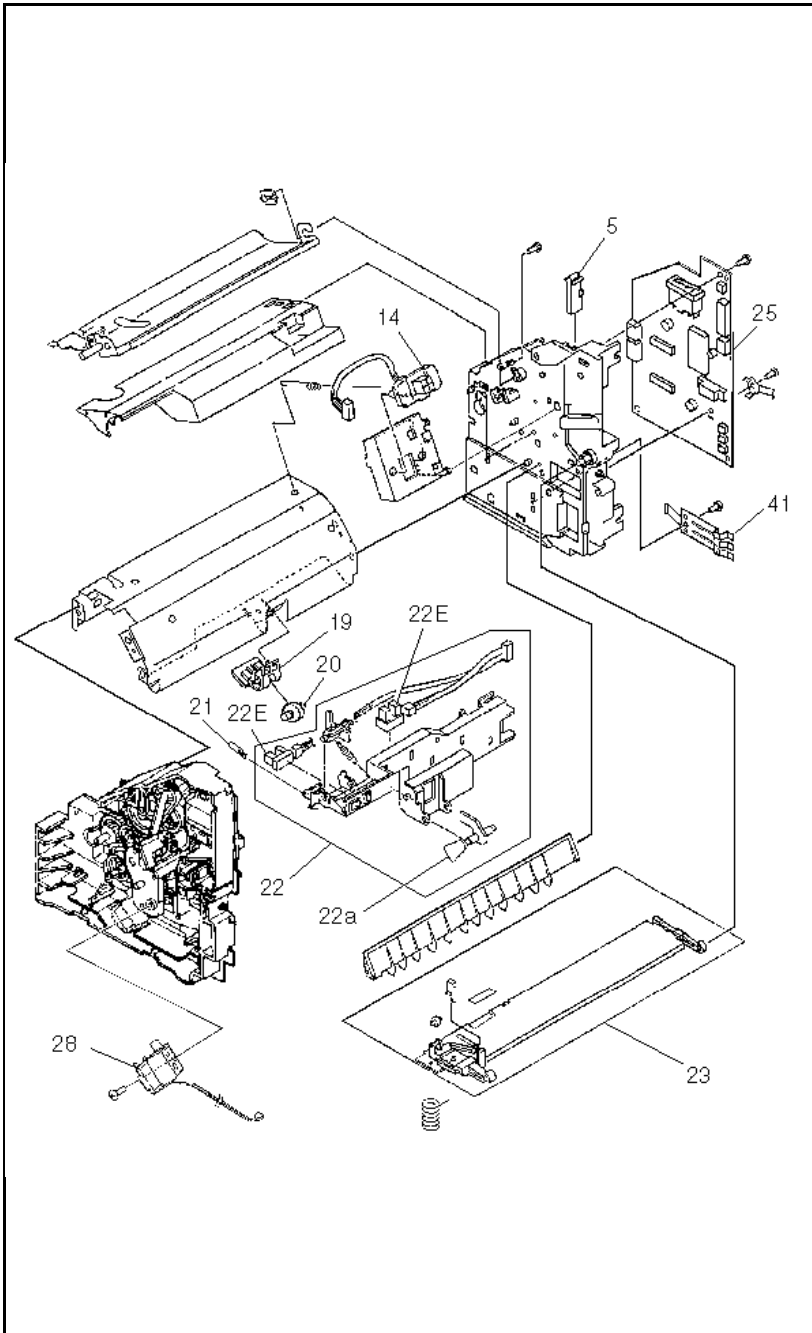


Figure 8-6a Paper Feed Assembly (1 of 2)

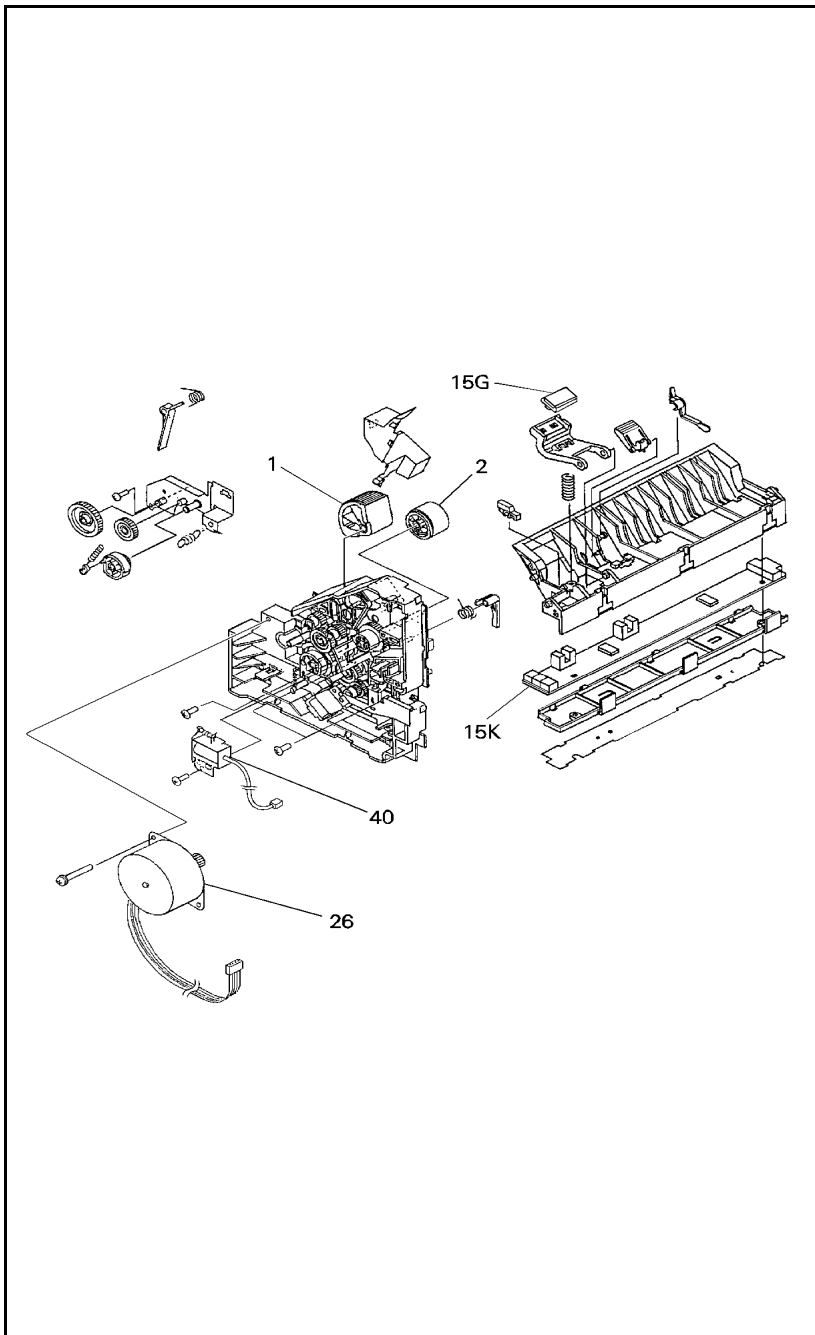


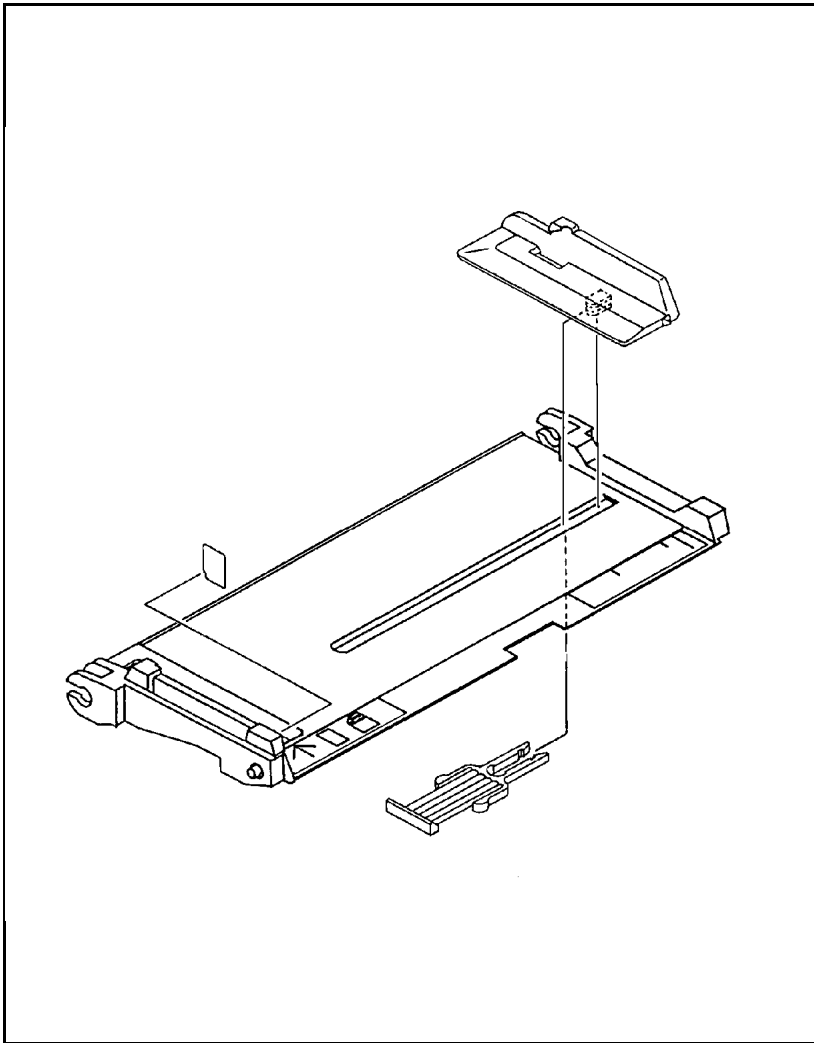
Figure 8-6b Paper Feed Assembly (2 of 2)



Table 8-6

## Paper Feed Assembly

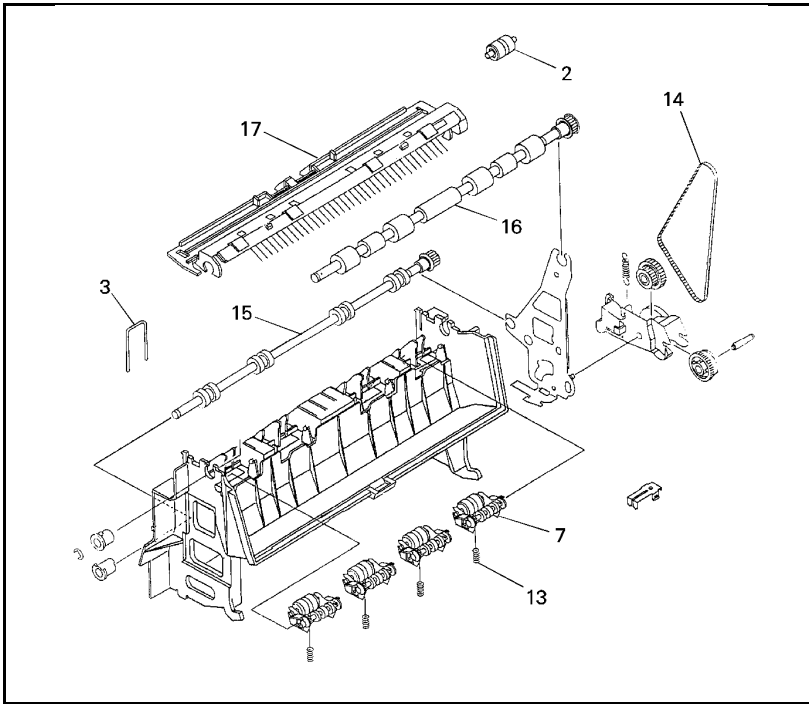
Ref	Part #	Notes	Description
	RG5-0451-000CN RG5-0877-000CN RG5-2195-000CN	LJ4 LJ4+ LJ5	Paper Feed Assembly
	C2001-69005 C2037-69003 C3916-69005	LJ4 LJ4+ LJ5	Paper Feed Ass'y (exchng)
1	RB1-2126-000CN RB1-3477-000CN RB1-7911-000CN	LJ4 LJ4+ LJ5	Roller, Pickup, PC Tray Roller, Pickup, Tray 2
2	RB1-2127-000CN RB1-2205-000CN	LJ4/4+ LJ5	Roller, MP Tray Pickup Roller, Tray 1 Pickup
5	RB1-2138-000CN		Lever, Switch
14	RG5-0529-000CN		Cable, Env. Feeder
15G	RF5-0343-000CN		Pad, Separation
15K	RG5-0514-000CN		PCA, Sensor (PS4, PS5)
19	RB1-2181-000CN		Holder, Guide Roller
20	RB1-2182-000CN		Roller, Guide
21	RB1-2179-000CN		Pin, Sensor Holder
22	RG5-0466-000CN		Assembly, Sensor Holder
22A	RB1-2133-000CN		Paper Sensor Flag
22E	WG8-0291-000CN	Qty 2	Photo-Sensor (PS1, PS2)
23	RG5-0467-060CN		Assembly, MP Tray (Tray 1) Base
25	RG5-0512-070CN		Paper Control PCA
26	RH7-1136-000CN RH7-1197-000CN	LJ4 LJ4+5	Motor, Paper Pickup
28	RH7-5070-000CN RH7-5071-000CN	LJ4 LJ4+5	PC (Tray 2) Pickup Solenoid (SL1)
40	RH7-5074-000CN RH7-5075-000CN	LJ4 LJ4+5	MP (Tray 1) Pickup Solenoid (SL2)
41	RB1-2139-030CN		Paper Sensor Leaf Spring



**Figure 8-7**      **MP Tray (Tray 1) Assembly**

**Table 8-7**      **MP Tray (Tray 1) Assembly**

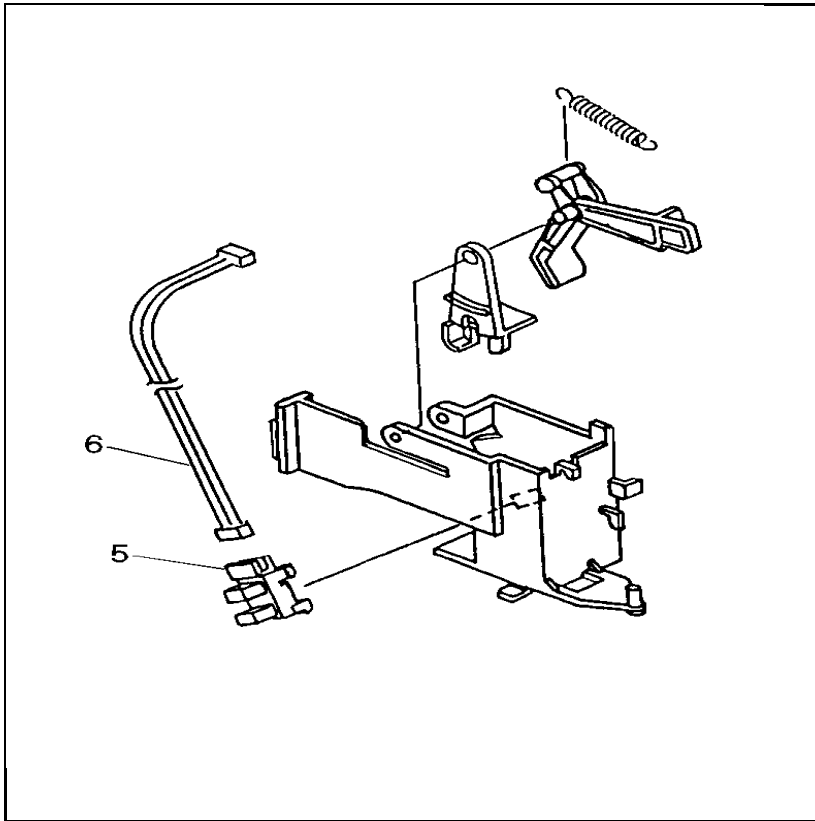
Part #	Notes	Description
RG5-0472-000CN	LJ4	Multi-Purpose Tray Assembly
RG5-0888-000CN	LJ4+	
RG5-2199-000CN	LJ5	Tray 1 Assembly



**Figure 8-8 Paper Output Assembly**

**Table 8-8 Paper Output Assembly**

Ref	Part #	Notes	Description
	RG5-0456-000CN RG5-0886-000CN RG5-2189-000CN	LJ4 LJ4+ LJ5	Paper Output Assembly
2	RB1-2299-030CN	4 ea.	Rollers, Delivery
3	RB1-2302-000CN	4 ea.	Spring, Roller
7	RF5-0425-040CN	4 ea.	Holder, Roller
13	RS5-2185-000CN RS5-2267-000CN	LJ4 LJ4+5 4 ea.	Spring, Compression
14	XF9-0410-000CN		Belt, Timing
15	RF5-0438-000CN RF5-1077-030CN	LJ4 LJ4+5	Roller, Lower Delivery
16	RF5-0534-000CN RF5-1076-020CN	LJ4 LJ4+5	Roller, Upper Delivery
17	RF5-0532-000CN RF5-0647-000CN	LJ4/4+ LJ5	Upper Guide, Delivery



**Figure 8-9**      **Delivery Sensor Assembly**

**Table 8-9**      **Delivery Sensor Assembly**

Ref	Part #	Notes	Description
	RG5-0475-060CN		Assembly, Delivery Sensor
5	WG8-0291-000CN		Photosensor, (PS3)
6	RG5-0522-000CN RG5-0980-000CN	LJ4 LJ4+/5	Cable, Delivery Sensor

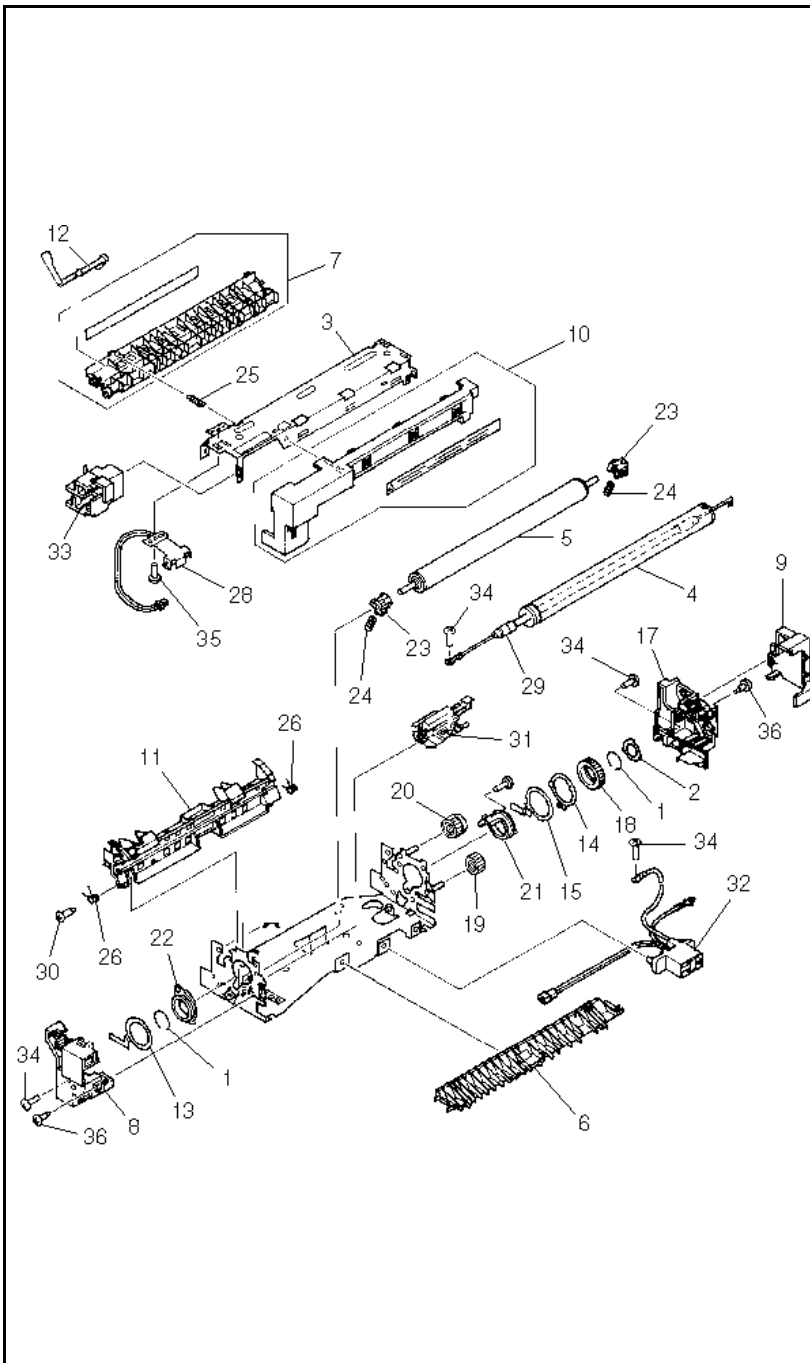


Figure 8-10 Fuser Assembly

Table 8-10

## Fuser Assembly

Ref	Part #	Notes	Description
	RG5-0454-000CN RG5-0879-130CN	LJ4 LJ4+/5	Fuser Assembly 110/115V
	C2001-69003 C2037-69001	LJ4 LJ4+/5	Fuser Assembly (Exchange) 110/115V
	RG5-0455-000CN RG5-0880-130CN	LJ4 LJ4+/5	Fuser Assembly 220/240V
	C2001-69004 C2037-69002	LJ4 LJ4+/5	Fuser Assembly (Exchange) 220/240V
1	RA1-7584-000CN RB1-0253-000CN	LJ4 LJ4+/5 S	Ring, Roller (2 ea.)
2	RB1-2287-000CN	S	Washer, Grounding (LJ4 only)
3	RB1-3515-000CN		Upper Frame
4	RB1-2263-000CN RB1-3516-020CN	LJ4 LJ4+/5	Roller, Upper
5	RB1-2264-000CN RB1-3517-030CN	LJ4 LJ4+/5	Roller, Lower
6	RB1-2265-000CN RB1-3518-000CN	LJ4 LJ4+/5 S	Guide, Paper Entrance
7	RF5-0536-000CN RF5-0744-000CN	LJ4 LJ4+/5 S	Guide, Separation
8	RF5-0428-000CN RF5-0737-000CN	LJ4 LJ 4+/5	Cover, Left
9	RB1-2270-000CN	S	Cover (LJ4 only)
10	RF5-0535-000CN RF5-0738-000CN	LJ4 LJ4+/5 S	Cover, Wire
11	RB1-2272-000CN RB1-3526-000CN	LJ4 LJ4+/5 S	Guide, Lower Separation
12	RB1-2273-000CN RB1-3522-000CN	LJ4 LJ4+/5	Lever, Sensor
13	RB1-2274-000CN RB1-3528-000CN	LJ4 LJ4+	Lever, Release-Left
	RB1-3528-000CN	LJ4+/5	Washer, Grounding
14	RB1-2284-000CN	LJ4/4+	Clamp, Plate Release
15	RB1-2285-000CN RB1-3527-000CN	LJ4 LJ4+ S	Lever, Release
17	RF5-0427-000CN RF5-0736-000CN	LJ4 LJ4+/5 S	Cover, Right

Ref	Part #	Notes	Description
20	RS5-0232-000CN RS5-0393-000CN	LJ4 LJ4+/5 S	Gear, 23T
21	RS5-1063-000CN RS5-1097-020CN	LJ4 LJ4+/5	Bushing, Roller
22	RS5-1064-000CN RS5-1098-000CN	LJ4 LJ4+/5 S	Bushing, Roller
23	RS5-1065-000CN RS5-1099-000CN	LJ4 LJ4+/5 S	Bushing, Lower Roller (2)
24	RS5-2168-000CN RS5-2265-020CN	LJ4 LJ4+/5	Spring, Compression (2)
25	RS5-2180-000CN	S	Spring, Tension
26	RB1-2286-000CN	S	Spring, Guide
28	RH7-7045-000CN RH7-7054-000CN	LJ4 LJ4+/5 S	Thermistor
29	RH7-4046-000CN RH7-4054-020CN	LJ4 LJ4+/5	Heater, Halogen, 100/115V
29	RH7-4048-000CN RH7-4055-020CN	LJ4 LJ4+/5	Heater, Halogen, 220/240V
30	RS5-9055-000CN	S	Screw, Shoulder (M3)
31	RG5-0474-000CN RG5-0881-000CN	LJ4 LJ4+/5	Thermoswitch Ass'y
32	RG5-0537-000CN RG5-0977-000CN	LJ4 LJ4+/5 J743/J744	Cable, Fuser
33	RB1-2289-000CN RG5-0737-000CN	LJ4 LJ4+ S	Cover, Heater
34	XB2-8300-607CN XA9-0702-000CN	LJ4 LJ4+/5 S	Screw, M3x6 (4)
35	XB6-7300-409CN XA9-0678-000CN	LJ4 LJ4+/5 S	Screw, M3x4 Screw, M3x3
36	RF5-0716-000CN	S	Screw, Shoulder w/washer (M3) (Qty 2)

# Accessory Parts

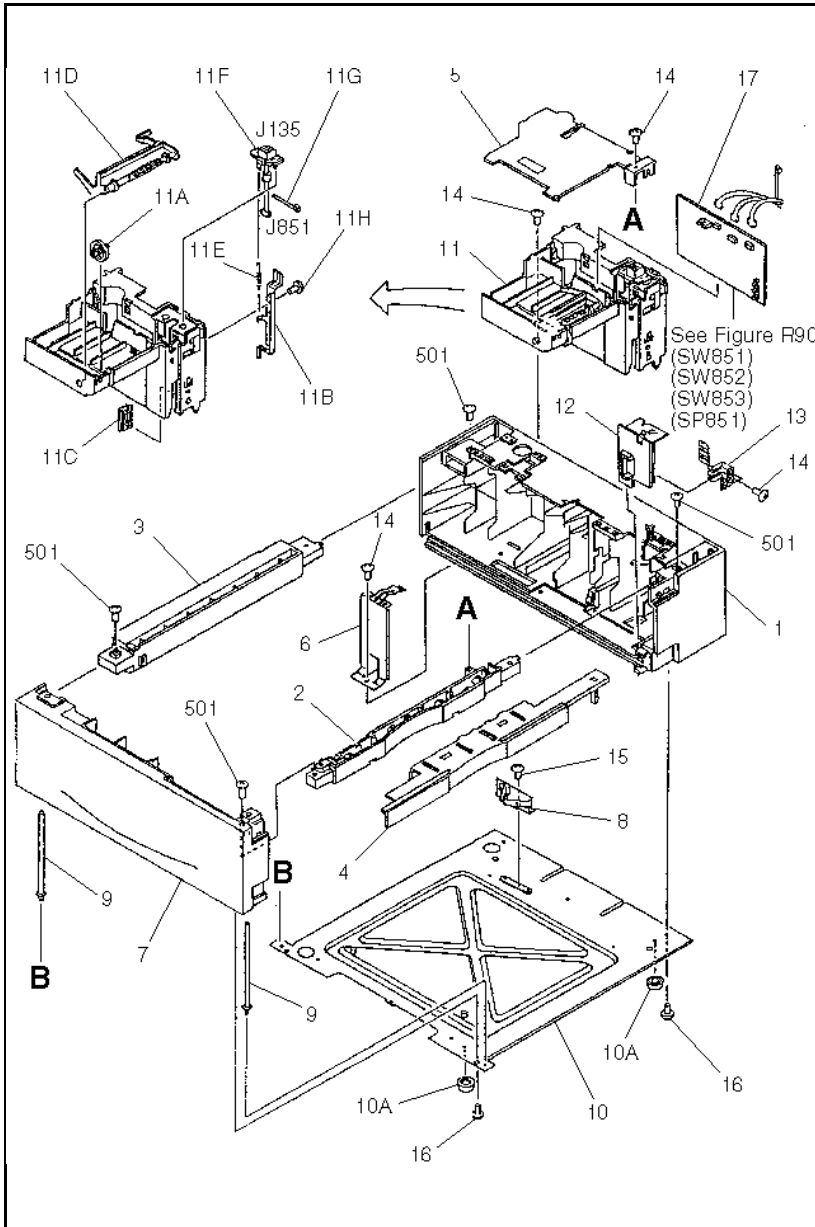
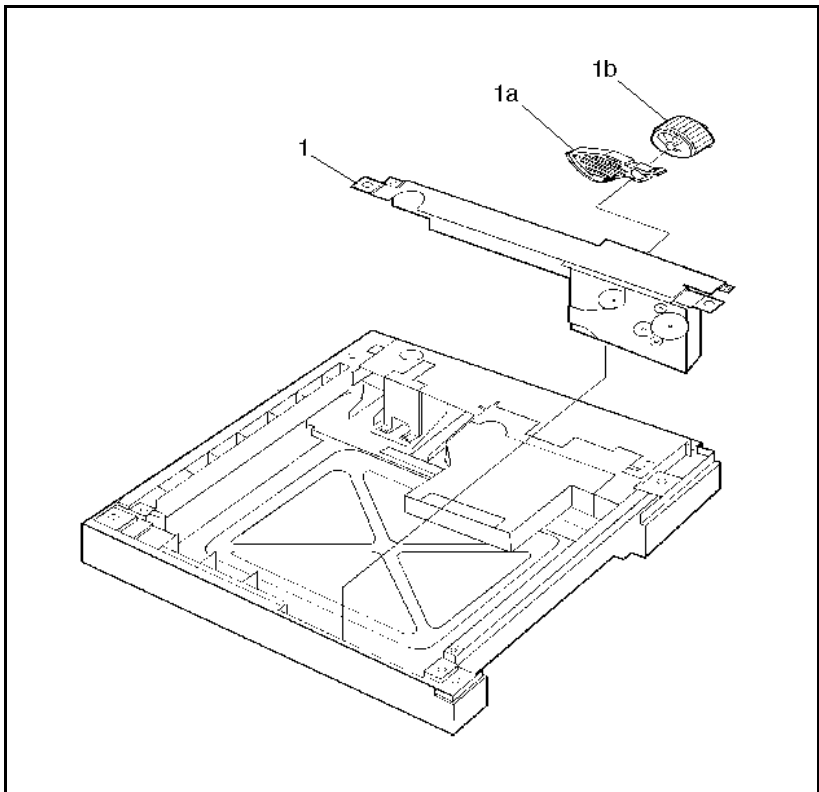


Figure 8-11 Lower Cassette Base Assembly



**Table 8-11 Lower Cassette Base Assembly**

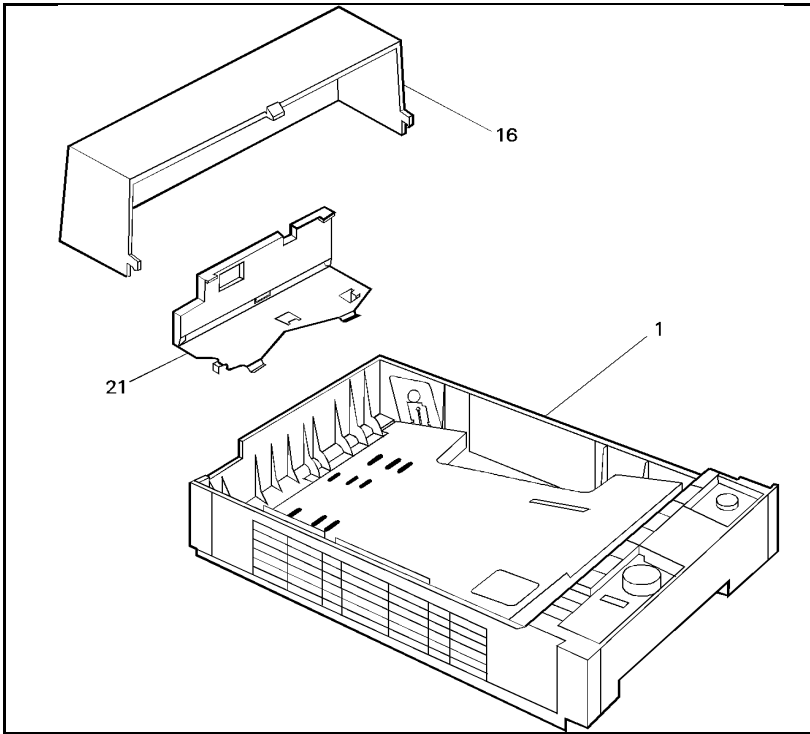
Ref	Part #	Notes	Description
	C2083A	LJ4	LC Base Assembly w/non-Legal Cassette
	C2083B C2083D C3921A	LJ4 LJ/4+ LJ5	LC Base Assembly with Legal Universal Cassette Tray 3
4	RB1-2606-000CN RB1-7977-000CN	LJ4/4+ LJ5	Cover, Front
5	RB1-2628-000CN	S	Cover
6	RB1-2647-000CN	S	Plate, Grounding
8	RF5-0374-000CN	S	Click, Spring
9	RF5-0375-000CN	S	Shaft
10	RG5-0482-000CN RG5-2207-000CN	LJ4/4+ LJ5	Frame, Lower Assembly
10A	RB1-2620-000CN		Foot, Rubber (Qty 2)
11	RG5-0483-020CN		Mount, Cover Assembly
11A	RB1-2616-000CN		Roller, Guide
11D	RB1-2615-000CN	S	Arm, Sensor
11F	RG1-0542-020CN		Cable, Paper Feed
12	RG5-0487-000CN RB1-2609-000CN RB1-7978-000CN	LJ4 LJ4+ LJ5 S	Inner Cover Ass'y
14	XA9-0591-000CN		Screw (M3 x 8) (Qty 4)
17	RG5-0541-000CN RG5-1086-000CN	LJ4 LJ4+/5	Lower Cassette Drive PCA



**Figure 8-12 Lower Cassette Drive Assembly**

**Table 8-12 Lower Cassette Drive Assembly**

Ref	Part #	Notes	Description
1	RG5-0481-000CN RG5-1099-000CN RG5-2209-000CN	LJ4 LJ4+ LJ5	Drive Assembly, Lower Cassette Drive Assembly, Tray 3
1a	RB1-2627-020CN		Weight
1b	RB1-2632-000CN RB1-2650-000CN RB1-7983-000CN	LJ4 LJ4+ LJ5	Roller, Pickup



**Figure 8-13 Lower Cassette Assembly**

**Table 8-13 Lower Cassette Assembly**

Ref	Part #	Notes	Description
1	C2084A C2084C	LJ4 LJ4/4+	Universal 500 sheet Lower Cassette Tray (non-Legal)
1	C2084B C2084D C3923A	LJ4 LJ4/4+ LJ5	Universal 500 sheet Lower Cassette Tray (Legal)
16	RB1-2645-000CN RB1-8009-000CN	LJ4/4+ LJ5	Cover, Rear Cassette
21	RF5-0446-000CN RF5-1675-000CN	LJ4/4+ LJ5	Plate, End

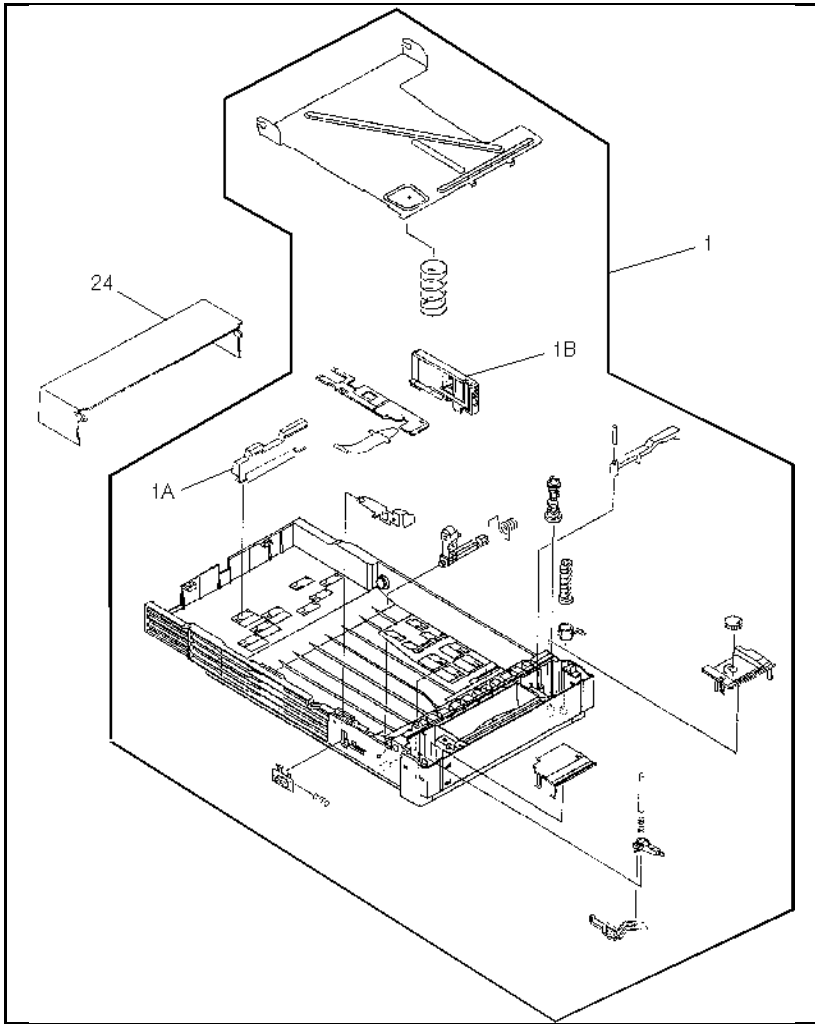


Figure 8-14 Universal Cassette

**Table 8-14 Universal Cassette**

Ref	Part #	Notes	Description
	C2085A C2085D C3924A	LJ4 LJ4+ LJ5	250 sheet Universal Tray (Legal, Letter, Exec, A4)
	C2085B C2085E C3925A	LJ4 LJ4+ LJ5	250 sheet PC Tray (letter)
	C2085C C2085F C3926A	LJ4 LJ4+ LJ5	250 sheet PC Tray (A4)
2	RB1-2370-020CN		Plate, Length Adjustment (part of tray assy)
21	RF5-0430-000CN		Plate (part of tray assy)
24	RB1-2391-000CN RB1-7969-000CN	LJ4/4+ LJ5	Cover, Legal

**SIMM Memory****Table 8-15 Simm Modules**

Part #	Notes	Size	Type
C2063A C3130A** (C3130-60001)	LJ4 LJ4+/5	1 MByte	80nS RAM
C2064A C3131A** (C3131-60001)	LJ4 LJ4+/5	2 MBytes	80nS RAM
C2065A C3132A** (C3132-60001)	LJ4 LJ4+/5	4 MBytes	80nS RAM
C2066A C3133A** (C3133-60001)	LJ4 LJ4+/5	8 MBytes	80nS RAM
C3146A**	LJ4+/5	16 MBytes	
C2080A C3129A C3918A	LJ4 LJ4+ LJ5		PostScript Level 2 Emulation SIMM
C2080-69001 C3129-69001 C3918-69001	LJ4 LJ4+ LJ5		PostScript SIMM Package, Replacement Only
C2081A N/A	LJ4 LJ4+/5		IBM/Epson Emulation SIMM

\*\*This memory will NOT operate in the LaserJet 4

## Miscellaneous Parts and Accessories

**Table 8-16** Miscellaneous Parts and Accessories

Part #	Notes	Description
92298A		Toner Cartridge
J2341A J2552A (J2552-69001)	LJ4 LJ4+/5	AppleTalk MIO Interface
J2550A (J2550-69001)	LJ5	10-BaseT MIO Interface
C2082B C3927A	LJ4/4+ LJ5	Envelope Feeder (new)
C2082-69001 C3927-69001	LJ4/4+ LJ5	Envelope Feeder (exchange)
C2809A	LJ4+/5	9-25 Pin Adaptor
C2929A	LJ5	Infrared Transceiver Pod