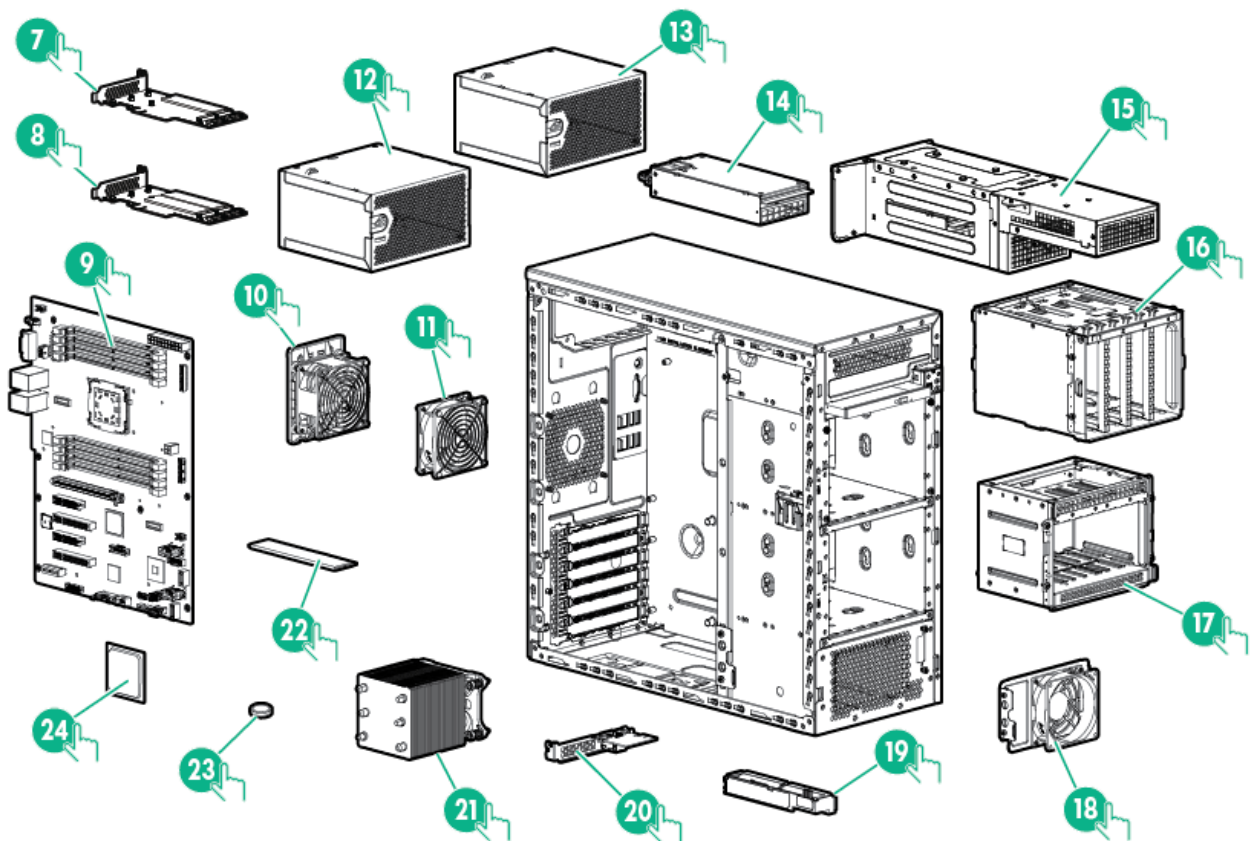


HPE ProLiant ML110 Gen9 Server



System components



Item	Description	Spare part number	Customer self repair
7	M.2 SSD single module enablement kit	797907-001	Optional ²
	a) M.2 SSD enablement board	—	—
	b) M.2 SSD module	—	—
	c) SATA cable*	—	—
8	M.2 SSD dual module enablement kit	797908-001	Optional ²

	a) M.2 SSD enablement board	—	—
	b) M.2 SSD modules (2)	—	—
	c) SATA cables (2)*	—	—
9	System board assembly (includes alcohol pad and thermal compound)	—	—
	a) System board for Intel Xeon E5-2600 v3 processors	791704-001	Optional ²
	b) System board for Intel Xeon E5-2600 v3 and v4 processors	848082-001	Optional ²
10	Upgrade fan module (92x38 mm)	791717-001	Mandatory ¹
11	System fan module (92x32 mm)	791708-001	Mandatory ¹
12	HPE ATX 350-W Power Supply (non-hot-plug)	791705-001	Mandatory ¹
13	HPE ATX 550-W Power Supply (non-hot-plug)	791706-001	Mandatory ¹
14	HPE 750-W Common Slot Gold Hot Plug Power Supply	511778-001	Mandatory ¹
15	RPS enablement kit	791712-001	Optional ²
16	4-bay LFF hot-plug drive cage	792351-001	Optional ²
17	8-bay SFF hot-plug drive cage	792352-001	Optional ²
18	PCI fan module	791710-001	Mandatory ¹
19	Smart Storage Battery	815983-001	Mandatory ¹
20	Dedicated iLO module	792354-001	Optional ²
21	Heatsink	780977-001	Optional ²
22	DIMMs	—	—
	DIMMs designed for the Intel Xeon E5-2600 v3 processors		
	a) 4 GB, single-rank 1Rx8 PC4-2133P-R	804842-001	Mandatory ¹
	b) 4 GB, single-rank 1Rx8 PC4-2133R-15*	774169-001	Mandatory ¹
	c) 8 GB, single-rank 1Rx4 PC4-2133R-15*	774170-001	Mandatory ¹
	d) 8 GB, single rank 1Rx4 PC4-2133P-R*	804843-001	Mandatory ¹
	e) 8 GB, dual-rank 2Rx8 PC4-2133R-15*	774171-001	Mandatory ¹
	f) 16 GB, dual-rank 2Rx4 PC4-2133R-15*	774172-001	Mandatory ¹
	g) 16 GB, dual-rank 2Rx4 PC4-2133L-15*	774173-001	Mandatory ¹
	h) 32 GB, dual-rank 2Rx4 PC4-2133R-15*	774175-001	Mandatory ¹
	DIMMs designed for the Intel Xeon E5-2600 v4 processors		
	a) 8 GB, single-rank x4 PC4-2400T-R*	819410-001	Mandatory ¹
	b) 8 GB, single-rank x8 PC4-2400T-R*	852545-001	Mandatory ¹
	c) 16 GB, single-rank x4 PC4-2400T-R*	819411-001	Mandatory ¹
	d) 16 GB, dual-rank x4 PC4-2400T-R*	846740-001	Mandatory ¹
	e) 32 GB, dual-rank x4 PC4-2400T-R*	819412-001	Mandatory ¹
23	System battery	234556-001	Mandatory ¹
24	Processors (include alcohol pad and thermal compound)**	—	—
	Intel Xeon E5-2600 v3 processors		
	a) 1.60-GHz Intel Xeon E5-2603 v3, 6C, 85 W	762441-001	Optional ²
	b) 1.80-GHz Intel Xeon E5-2630L v3, 8C, 50 W*	762459-001	Optional ²
	c) 1.90-GHz Intel Xeon E5-2609 v3, 6C, 85 W*	762443-001	Optional ²
	d) 2.40-GHz Intel Xeon E5-2620 v3, 6C, 85 W*	762445-001	Optional ²
	e) 2.40-GHz Intel Xeon E5-2630 v3, 8C, 85 W*	762446-001	Optional ²
	f) 2.60-GHz Intel Xeon E5-2640 v3, 8C, 90 W*	762447-001	Optional ²
	g) 2.60-GHz Intel Xeon E5-2660 v3, 10C, 105 W*	762449-001	Optional ²
	h) 2.80-GHz Intel Xeon E5-1603 v3 4C, 140 W* with jacket	799505-001	Optional ²
	i) 3.0-GHz Intel Xeon E5-2623 v3, 4C, 105 W*	780762-001	Optional ²

	j) 3.50-GHz Intel Xeon E5-1620 v3, 4C, 140 W* with jacket	799506-001	Optional ²
	Intel Xeon E5-2600 v4 processors		
	a) 1.70-GHz Intel Xeon E5-2603 v4, 6C, 85 W with jacket	835599-001	Optional ²
	b) 1.70-GHz Intel Xeon E5-2609 v4, 8C, 85 W with jacket*	835600-001	Optional ²
	c) 1.80-GHz Intel Xeon E5-2630L v4, 10C, 55 W with jacket*	835608-001	Optional ²
	d) 2.00-GHz Intel Xeon E5-2660 v4, 14C, 105 W with jacket*	835605-001	Optional ²
	e) 2.10-GHz Intel Xeon E5-2620 v4, 8C, 85 W with jacket*	835601-001	Optional ²
	f) 2.40-GHz Intel Xeon E5-2640 v4, 10C, 90 W with jacket*	835603-001	Optional ²
	g) 2.60-GHz Intel Xeon E5-2623 v4, 4C, 85 W with jacket*	835610-001	Optional ²
25	Misc cable kit*	791718-001	Mandatory ¹
	a) Front panel LED cable*	—	—
	b) Front USB cable*	—	—
26	Data cable kit*	791719-001	Mandatory ¹
	a) 6G, 490 mm, Mini-SAS cable*	—	—
	b) 12G, 540 mm, Mini-SAS cable*	—	—
	c) 540 mm Mini-SAS Y cable*	—	—
	d) 300 mm SATA to Mini-SAS cable*	—	—
27	Trusted Platform Module	—	
	a) TPM 1.2*	505836-001	No ³
	b) TPM 2.0*	812119-001	No ³

*Not shown

**All processors in this HPE ProLiant server must have the same cache size, speed, number of cores, and rated maximum power consumption.

¹Mandatory—Parts for which customer self repair is mandatory. If you request Hewlett Packard Enterprise to replace these parts, you will be charged for the travel and labor costs of this service.

²Optional—Parts for which customer self repair is optional. These parts are also designed for customer self repair. If, however, you require that Hewlett Packard Enterprise replace them for you, there may or may not be additional charges, depending on the type of warranty service designated for your product.

³No—Some Hewlett Packard Enterprise parts are not designed for customer self repair. In order to satisfy the customer warranty, Hewlett Packard Enterprise requires that an authorized service provider replace the part. These parts are identified as "No" in the Illustrated Parts Catalog.