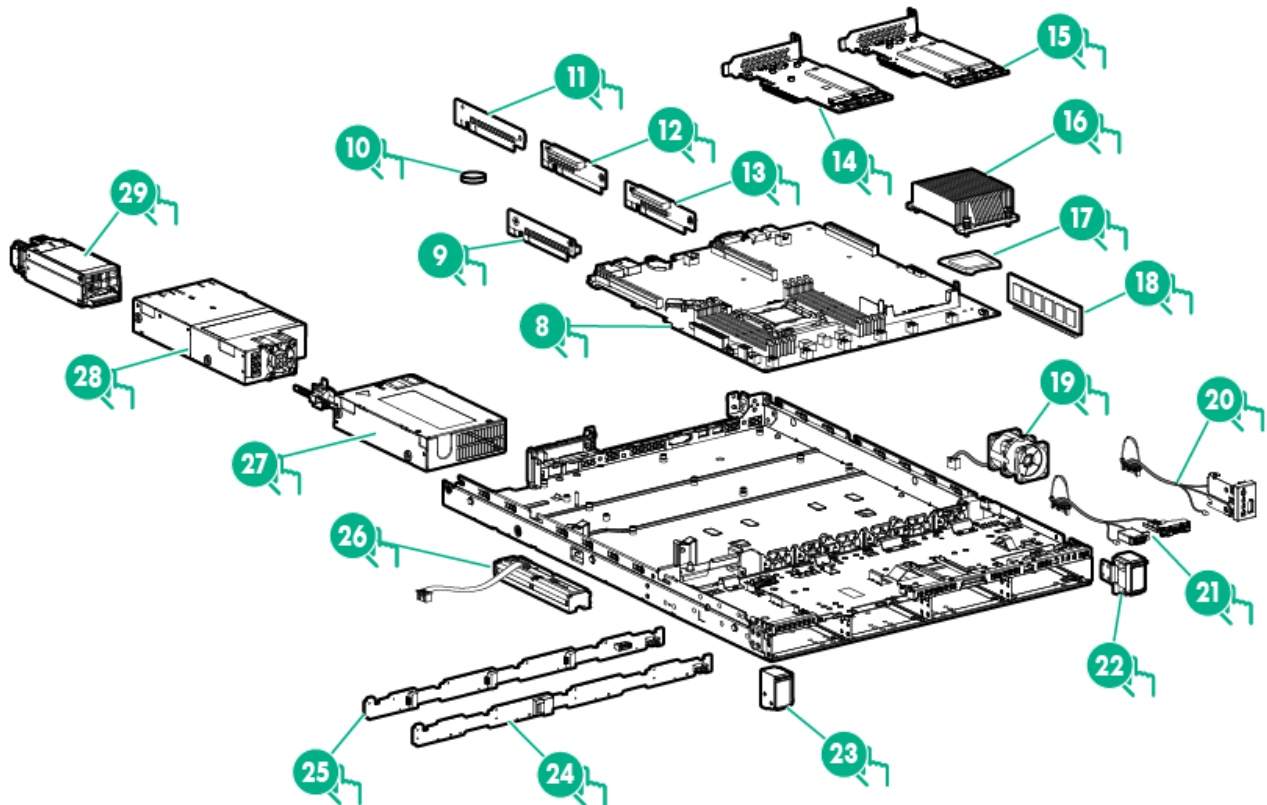


# HPE ProLiant DL120 Gen9 Server



## System components



Item	Description	Spare part number	Customer self repair
8	System board assembly (includes alcohol pad and thermal compound)	—	—
	a) System board for Intel Xeon E5-2600 v3 processors	790549-001	Optional <sup>2</sup>
	b) System board for Intel Xeon E5-2600 v3 and v4 processors*	847394-001	Optional <sup>2</sup>
9	Primary PCIe riser board	790488-001	Optional <sup>2</sup>
10	System battery	234556-001	Optional <sup>2</sup>
11	GPU riser board	790550-001	Optional <sup>2</sup>
12	Full-height half-length riser board	790490-001	Optional <sup>2</sup>
13	FlexibleLOM riser board	790489-001	Optional <sup>2</sup>
14	M.2 SSD single module enablement kit	797907-001	Optional <sup>2</sup>
	a) M.2 SSD enablement board	—	—
	b) M.2 SSD module	—	—
	c) SATA cable*	—	—
15	M.2 SSD dual module enablement kit	797908-001	Optional <sup>2</sup>
	a) M.2 SSD enablement board	—	—
	b) M.2 SSD modules (2)	—	—

	c) SATA cables (2)*	—	—
16	Heatsinks	—	—
	a) Standard heatsink	790498-001	Mandatory <sup>1</sup>
	b) High efficiency heatsink (for processors rated over 105W)*	802695-001	Mandatory <sup>1</sup>
17	Processors (includes alcohol pad and thermal compound)	—	—
	<b>Intel Xeon E5 v3 processors</b>		
	Standard processors (for use with standard heatsink)	—	—
	a) 1.6-GHz Intel Xeon E5-2603 v3, 6C, 85 W	762441-001	Optional <sup>2</sup>
	b) 1.8-GHz Intel Xeon E5-2650L v3, 12C, 65 W*	762461-001	Optional <sup>2</sup>
	c) 1.8-GHz Intel Xeon E5-2630L v3, 8C, 55 W*	762459-001	Optional <sup>2</sup>
	d) 1.9-GHz Intel Xeon E5-2609 v3, 6C, 85 W*	762443-001	Optional <sup>2</sup>
	e) 2.3-GHz Intel Xeon E5-2650 v3, 10C, 105 W*	762448-001	Optional <sup>2</sup>
	f) 2.4-GHz Intel Xeon E5-2620 v3, 6C, 85 W*	762445-001	Optional <sup>2</sup>
	g) 2.4-GHz Intel Xeon E5-2630 v3, 8C, 85 W*	762446-001	Optional <sup>2</sup>
	h) 2.6-GHz Intel Xeon E5-2640 v3, 8C, 90 W*	762447-001	Optional <sup>2</sup>
	i) 2.6-GHz Intel Xeon E5-2660 v3, 10C, 105 W*	762449-001	Optional <sup>2</sup>
	j) 3.0-GHz Intel Xeon E5-2623 v3, 4C, 105 W*	780762-001	Optional <sup>2</sup>
	High efficiency processors (for use with the high efficiency heatsink)	—	—
	k) 2.3 GHz Intel Xeon E5-2695v3, 14C, 120 W*	762454-001	Optional <sup>2</sup>
	l) 2.3 GHz Intel Xeon E5-2698v3, 16C, 135 W*	780760-001	Optional <sup>2</sup>
	m) 2.3 GHz Intel Xeon E5-2699v3, 18C, 145 W*	780761-001	Optional <sup>2</sup>
	n) 2.8 GHz Intel Xeon E5-1603v3, 4C, 140 W*	799505-001	Optional <sup>2</sup>
	o) 3.1 GHz Intel Xeon E5-1607v3, 4C, 140 W*	801579-001	Optional <sup>2</sup>
	p) 3.5 GHz Intel Xeon E5-1620v3, 4C, 140 W*	799506-001	Optional <sup>2</sup>
	q) 3.5 GHz Intel Xeon E5-1650v3, 6C, 140 W*	801578-001	Optional <sup>2</sup>
	<b>Intel Xeon E5 v4 processors</b>	—	—
	a) 1.70 GHz Intel Xeon E5-2603 v4, 6C, 85 W* **	835599-001	Optional <sup>2</sup>
	b) 1.70 GHz Intel Xeon E5-2609 v4, 8C, 85 W* **	835600-001	Optional <sup>2</sup>
	c) 1.70 GHz Intel Xeon E5-2650L v4, 14C, 65 W* **	835609-001	Optional <sup>2</sup>
	d) 1.80 GHz Intel Xeon E5-2630L v4, 10C, 55 W* **	835608-001	Optional <sup>2</sup>
	e) 2.00 GHz Intel Xeon E5-2660 v4, 14C, 105 W* **	835605-001	Optional <sup>2</sup>
	f) 2.10 GHz Intel Xeon E5-2620 v4, 8C, 85 W* **	835601-001	Optional <sup>2</sup>
	g) 2.10 GHz Intel Xeon E5-2695 v4, 18C, 120 W* **	835615-001	Optional <sup>2</sup>
	h) 2.20 GHz Intel Xeon E5-2630 v4, 10C, 85 W* **	835602-001	Optional <sup>2</sup>
	i) 2.20 GHz Intel Xeon E5-2650 v4, 12C, 105 W* **	835604-001	Optional <sup>2</sup>
	j) 2.20 GHz Intel Xeon E5-2698 v4, 20C, 135 W* **	835617-001	Optional <sup>2</sup>
	k) 2.20 GHz Intel Xeon E5-2699 v4, 22C, 145 W* **	835618-001	Optional <sup>2</sup>
	l) 2.40 GHz Intel Xeon E5-2640 v4, 10C, 90 W* **	835603-001	Optional <sup>2</sup>
	m) 2.60 GHz Intel Xeon E5-2623 v4, 4C, 85 W* **	835610-001	Optional <sup>2</sup>
18	DIMMs	—	—
	<b>DIMMs optimized for Intel Xeon E5-2600 v3 processors</b>	—	—
	a) 4 GB, single-rank 1Rx8 PC4-2133R-15	774169-001	Mandatory <sup>1</sup>
	b) 4 GB single-rank 1Rx8 PC4-2133P-R*	804842-001	Mandatory <sup>1</sup>
	c) 8 GB single-rank 1Rx4 PC4-2133P-R*	804843-001	Mandatory <sup>1</sup>
	d) 8 GB single-rank 1Rx4 PC4-2133R-15*	774170-001	Mandatory <sup>1</sup>
	e) 8 GB dual-rank 2Rx8 PC4-2133R-15*	774171-001	Mandatory <sup>1</sup>
	f) 16 GB dual-rank 2Rx4 PC4-2133R-15*	774172-001	Mandatory <sup>1</sup>
	g) 16 GB dual-rank 2Rx4 PC4-2133L-15*	774173-001	Mandatory <sup>1</sup>
	h) 32 GB dual-rank x4 PC4-2133P-R*	774175-001	Mandatory <sup>1</sup>
	i) 32 GB quad-rank 4Rx4 PC4-2133L-15*	774174-001	Mandatory <sup>1</sup>
	<b>DIMMs optimized for Intel Xeon E5-2600 v4 processors</b>	—	—
	a) 8 GB, single-rank x8 PC4-2400T-R standard memory*	852545-001	Mandatory <sup>1</sup>
	b) 8 GB, single-rank x8 PC4-2400T-R*	819410-001	Mandatory <sup>1</sup>
	c) 16 GB, single-rank x8 PC4-2400T-R*	819411-001	Mandatory <sup>1</sup>

	d) 16 GB, dual-rank x4 PC4-2400T-R*	846740-001	Mandatory <sup>1</sup>
	e) 32 GB, dual-rank x4 PC4-2400T-R*	819412-001	Mandatory <sup>1</sup>
	f) 32 GB, dual-rank x4 PC4-2400T-L*	819414-001	Mandatory <sup>1</sup>
19	Fan module	790514-001	Mandatory <sup>1</sup>
20	Front I/O module for SFF configuration	790553-001	Optional <sup>2</sup>
21	Front I/O module for LFF configuration	790496-001	Mandatory <sup>1</sup>
22	Right quick-release latch rack ear assembly	790522-001	Mandatory <sup>1</sup>
23	Left quick-release latch rack ear assembly	790557-001	Mandatory <sup>1</sup>
24	4-bay LFF hot plug drive backplane	790487-001	Optional <sup>2</sup>
25	4-bay LFF non-hot-plug drive backplane	790486-001	Optional <sup>2</sup>
26	Smart Storage Battery	750450-001	Mandatory <sup>1</sup>
27	550-W Power Supply	766879-001	Optional <sup>2</sup>
28	RPS backplane assemblies	—	—
	a) AC RPS backplane assembly	784636-001	Optional <sup>2</sup>
	b) AC/240 V DC RPS backplane assembly*	830022-001	Optional <sup>2</sup>
29	Hot-plug power input modules	—	—
	a) HPE 800 W/900 W Gold AC Power Input Module	754376-001	Mandatory <sup>1</sup>
	b) HPE 900 W AC/240 V DC Gold Power Input Module*	830219-001	Mandatory <sup>1</sup>
30	Cables	—	—
	a) 4-bay LFF hot-plug power cable*	790516-001	Mandatory <sup>1</sup>
	b) 8-bay SFF hot-plug power cable*	790556-001	Mandatory <sup>1</sup>
	c) 4-bay LFF non-hot-plug Mini-SAS cable*	790517-001	Mandatory <sup>1</sup>
	d) 4-bay LFF hot-plug Mini-SAS cable*	790518-001	Mandatory <sup>1</sup>
	e) 4-bay LFF Smart Array P-series Mini-SAS cable*	790520-001	Mandatory <sup>1</sup>
	f) 4-bay LFF host bus adapter Mini-SAS cable*	790521-001	Mandatory <sup>1</sup>
	g) 8-bay SFF Smart Array P-series Mini-SAS cable*	790558-001	Mandatory <sup>1</sup>
	h) 8-bay LFF host bus adapter Mini-SAS cable*	790559-001	Mandatory <sup>1</sup>
	i) 8-bay SFF hot-plug cable*	790562-001	Mandatory <sup>1</sup>
	j) GPU power cable*	790561-001	Mandatory <sup>1</sup>
	k) M.2 SSD SATA right angle cable*	809065-001	Mandatory <sup>1</sup>
29	Hard drives	—	—
	SATA	—	—
	a) 100GB hot-plug SATA, SSD, LFF, 6G*	692160-001	Mandatory <sup>1</sup>
	b) 200GB hot-plug SATA, SSD, LFF, 6G*	692161-001	Mandatory <sup>1</sup>
	c) 400GB hot-plug SATA, SSD, LFF, 6G*	692162-001	Mandatory <sup>1</sup>
	d) 800GB hot-plug SATA, SSD, LFF, 6G*	692163-001	Mandatory <sup>1</sup>
	e) 100GB hot-plug SATA, SSD, SFF, 6G*	692164-001	Mandatory <sup>1</sup>
	f) 200GB hot-plug SATA, SSD, SFF, 6G*	692165-001	Mandatory <sup>1</sup>
	g) 400GB hot-plug SATA, SSD, SFF, 6G*	692166-001	Mandatory <sup>1</sup>
	h) 800GB hot-plug SATA, SSD, SFF, 6G*	692167-001	Mandatory <sup>1</sup>
	i) 120GB hot-plug SATA, SSD, SFF, 6G*	718136-001	Mandatory <sup>1</sup>
	j) 120GB hot-plug SATA, SSD, LFF, 6G*	718300-001	Mandatory <sup>1</sup>
	k) 80GB hot-plug SATA, SSD, SFF, 6G*	734562-001	Mandatory <sup>1</sup>
	l) 80GB hot-plug SATA, SSD, LFF, 6G*	734563-001	Mandatory <sup>1</sup>
	m) 240GB hot-plug SATA, SSD, SFF, 6G*	718137-001	Mandatory <sup>1</sup>
	n) 800GB hot-plug SATA, SSD, SFF, 6G*	718139-001	Mandatory <sup>1</sup>
	o) 240GB hot-plug SATA, SSD, LFF, 6G*	718294-001	Mandatory <sup>1</sup>
	p) 480GB hot-plug SATA, SSD, LFF, 6G*	718296-001	Mandatory <sup>1</sup>
	q) 800GB hot-plug SATA, SSD, LFF, 6G*	718298-001	Mandatory <sup>1</sup>
	r) 300GB hot-plug SATA, SSD, SFF, 6G*	739954-001	Mandatory <sup>1</sup>
	s) 300GB hot-plug SATA, SSD, LFF, 6G*	739955-001	Mandatory <sup>1</sup>
	t) 600GB hot-plug SATA, SSD, SFF, 6G*	739959-001	Mandatory <sup>1</sup>
	u) 600GB hot-plug SATA, SSD, LFF, 6G*	739960-001	Mandatory <sup>1</sup>
	v) 120GB hot-plug SATA, SSD, SFF, 6G*	757361-001	Mandatory <sup>1</sup>
	w) 120GB hot-plug SATA, SSD, LFF, 6G*	757362-001	Mandatory <sup>1</sup>
	y) 240GB hot-plug SATA, SSD, SFF, 6G*	757366-001	Mandatory <sup>1</sup>

	z) 240GB hot-plug SATA, SSD, LFF, 6G*	757367-001	Mandatory <sup>1</sup>
	aa) 480GB hot-plug SATA, SSD, SFF, 6G*	757371-001	Mandatory <sup>1</sup>
	ab) 480GB hot-plug SATA, SSD, LFF, 6G*	757372-001	Mandatory <sup>1</sup>
	ac) 480GB SATA, SSD, SFF, 6G*	735501-001	Mandatory <sup>1</sup>
	ad) 3TB hot-plug SATA, LFF, 7,200 RPM, 6G*	628182-001	Mandatory <sup>1</sup>
	ae) 3TB non-hot-plug SATA, LFF, 7,200 RPM, 6G*	628183-001	Mandatory <sup>1</sup>
	af) 500GB hot-plug SATA, SFF, 7,200 RPM, 6G*	656107-001	Mandatory <sup>1</sup>
	ag) 1TB hot-plug SATA, SFF, 7,200 RPM, 6G*	656108-001	Mandatory <sup>1</sup>
	ah) 1TB hot-plug SATA, SFF, 7,200 RPM, 6G*	657739-001	Mandatory <sup>1</sup>
	ai) 500GB hot-plug SATA, LFF, 7,200 RPM, 6G*	658103-001	Mandatory <sup>1</sup>
	aj) 2TB hot-plug SATA, LFF, 7,200 RPM, 6G*	658102-001	Mandatory <sup>1</sup>
	ak) 1TB non-hot-plug SATA, LFF, 7,200 RPM, 6G*	659569-001	Mandatory <sup>1</sup>
	al) 2TB non-hot-plug SATA, LFF, 7,200 RPM, 6G*	659570-001	Mandatory <sup>1</sup>
	am) 500GB non-hot-plug SATA, LFF, 7,200 RPM, 6G*	659571-001	Mandatory <sup>1</sup>
	an) 960GB SATA, SSD, SFF, 6G*	757231-001	Mandatory <sup>1</sup>
	ao) 960GB hot-plug SATA, SSD, LFF, 6G*	757232-001	Mandatory <sup>1</sup>
	ap) 4TB hot-plug SATA, LFF, 7,200 RPM, 6G*	693720-001	Mandatory <sup>1</sup>
	aq) 6TB hot-plug SATA, LFF, 7,200 RPM, 6G*	761496-001	Mandatory <sup>1</sup>
	ar) 1.6TB SATA, SSD, SFF, 6G*	757381-001	Mandatory <sup>1</sup>
	as) 1.6TB SATA, SSD, LFF, 6G*	757382-001	Mandatory <sup>1</sup>
	SAS	—	—
	a) 800GB hot-plug SSD, SAS, SFF, 12G*	762749-001	Mandatory <sup>1</sup>
	b) 1.6TB hot-plug SSD, SAS, SFF, 12G*	762751-001	Mandatory <sup>1</sup>
	c) 800GB hot-plug SSD, SAS, LFF, 12G*	762750-001	Mandatory <sup>1</sup>
	d) 1.6TB hot-plug SSD, SAS, LFF, 12G*	762752-001	Mandatory <sup>1</sup>
	e) 300GB hot-plug SAS, LFF, 15,000 RPM*	737298-001	Mandatory <sup>1</sup>
	f) 450GB hot-plug dual port SAS, LFF, 15,000 RPM*	737573-001	Mandatory <sup>1</sup>
	g) 300 GB hot-plug SAS, SFF, 15,000 RPM*	759546-001	Mandatory <sup>1</sup>
	h) 450GB hot-plug SAS, SFF, 15,000 RPM*	759547-001	Mandatory <sup>1</sup>
	i) 600GB hot-plug SAS, SFF, 15,000 RPM*	759548-001	Mandatory <sup>1</sup>
	j) 600GB hot-plug SAS, LFF, 15,000 RPM*	765867-001	Mandatory <sup>1</sup>
	k) 200GB SSD, SAS, SFF, 12G*	780430-001	Mandatory <sup>1</sup>
	l) 800GB SSD, SAS, SFF, 12G*	780434-001	Mandatory <sup>1</sup>
	m) 1.6TB SSD, SAS, SFF, 12G*	780436-001	Mandatory <sup>1</sup>
	n) 1.2TB hot-plug dual-port SAS, SFF, 6G*	718292-001	Mandatory <sup>1</sup>
	o) 200GB hot-plug SAS, SSD, SFF, 12G*	741224-001	Mandatory <sup>1</sup>
	p) 400GB hot-plug SAS, SSD, SFF, 12G*	741226-001	Mandatory <sup>1</sup>
	q) 800GB hot-plug SAS, SSD, SFF, 12G*	741228-001	Mandatory <sup>1</sup>
	r) 200GB hot-plug SAS, SSD, SFF, 12G*	741230-001	Mandatory <sup>1</sup>
	s) 400GB hot-plug SAS, SSD, LFF, 12G*	741232-001	Mandatory <sup>1</sup>
	t) 800GB hot-plug SAS, SSD, SFF, 12G*	741234-001	Mandatory <sup>1</sup>
	u) 300GB hot-plug dual-port SAS, SFF, 10,000 RPM, 6G*	653955-001	Mandatory <sup>1</sup>
	v) 450GB hot-plug dual-port SAS, SFF, 10,000 RPM, 6G*	653956-001	Mandatory <sup>1</sup>
	w) 600GB hot-plug dual-port SAS, SFF, 10,000 RPM, 6G*	653957-001	Mandatory <sup>1</sup>
	x) 900GB hot-plug dual-port SAS, SFF, 10,000 RPM, 6G*	653971-001	Mandatory <sup>1</sup>
	y) 146GB hot-plug dual-port SAS, SFF, 15,000 RPM, 6G*	653950-001	Mandatory <sup>1</sup>
	z) 500GB hot-plug dual-port SAS, SFF, 7,200 RPM, 6G*	653953-001	Mandatory <sup>1</sup>
	aa) 1TB hot-plug dual-port SAS, SFF, 7,200 RPM, 6G*	653954-001	Mandatory <sup>1</sup>
	ab) 1TB hot-plug dual-port SAS, LFF, 7,200 RPM, 6G*	653947-001	Mandatory <sup>1</sup>
	ac) 2TB hot-plug dual-port SAS, LFF, 7,200 RPM, 6G*	653948-001	Mandatory <sup>1</sup>
	ad) 3TB hot-plug dual-port SAS, LFF, 7,200 RPM, 6G*	653959-001	Mandatory <sup>1</sup>
	ae) 4TB hot-plug SAS, LFF, 7,200 RPM, 6G*	695842-001	Mandatory <sup>1</sup>
	af) 6TB hot-plug SAS, LFF, 7,200 RPM, 6G*	761497-001	Mandatory <sup>1</sup>
30	Network adapters	—	—
	a) Ethernet 10GB, 2P, 530SFP+ adapter*	656244-001	Mandatory <sup>1</sup>
	b) FlexFabric 10Gb 2P 534FLR-SFP+ adapter*	701531-001	Mandatory <sup>1</sup>

	c) 1Gb Ethernet 4P 331FLR adapter*	789897-001	Mandatory <sup>1</sup>
	d) FlexFabric 10Gb 2P 533FLR-T adapter*	701534-001	Mandatory <sup>1</sup>
	e) FlexFabric 10Gb 2P 556FLR-SFP+ adapter*	764460-001	Mandatory <sup>1</sup>
	f) Ethernet 10Gb 2P 560SFP+ adapter*	669279-001	Mandatory <sup>1</sup>
	g) Ethernet 10Gb 2P 561T adapter*	717708-001	Mandatory <sup>1</sup>
	h) Ethernet 1Gb 4-port 366FLR adapter*	669280-001	Mandatory <sup>1</sup>
	i) Ethernet 10Gb 2P 560FLR-SFP+ adapter*	669281-001	Mandatory <sup>1</sup>
	j) Ethernet 10Gb 2P 546FLR-SFP+ adapter*	701525-001	Mandatory <sup>1</sup>
	k) Ethernet 1Gb 4-port 331T adapter*	649871-001	Mandatory <sup>1</sup>
	l) Ethernet 10Gb 2P 530T adapter*	657128-001	Mandatory <sup>1</sup>
	m) Ethernet 1Gb 2P 361T adapter*	656241-001	Mandatory <sup>1</sup>
	n) Ethernet 1Gb 2P 332T adapter*	616012-001	Mandatory <sup>1</sup>
31	Other boards	—	—
	a) H240 host bus adapter*	779134-001	Mandatory <sup>1</sup>
	b) Smart Array P441 controller with 4GB FBWC*	749798-001	Mandatory <sup>1</sup>
	c) 4GB Flash Backed Write Cache memory module*	750003-001	Mandatory <sup>1</sup>
	d) Smart Array P440 controller*	749797-001	Mandatory <sup>1</sup>
	e) NVIDIA Quadro K2200 graphics accelerator board*	783874-001	Mandatory <sup>1</sup>
	f) NVIDIA Quadro K4200 graphics accelerator board*	783875-001	Mandatory <sup>1</sup>
	g) GPU riser kit*	790555-001	Mandatory <sup>1</sup>
32	Trusted Platform Module	—	—
	a) TPM 1.2*	505836-001	No <sup>3</sup>
	b) TPM 2.0*	812119-001	No <sup>3</sup>

\*Not shown

\*\*All processors in this HPE ProLiant server must have the same cache size, speed, number of cores, and rated maximum power consumption.

<sup>1</sup>Mandatory—Parts for which customer self repair is mandatory. If you request Hewlett Packard Enterprise to replace these parts, you will be charged for the travel and labor costs of this service.

<sup>2</sup>Optional—Parts for which customer self repair is optional. These parts are also designed for customer self repair. If, however, you require that Hewlett Packard Enterprise replace them for you, there may or may not be additional charges, depending on the type of warranty service designated for your product.

<sup>3</sup>No—Some Hewlett Packard Enterprise parts are not designed for customer self repair. In order to satisfy the customer warranty, Hewlett Packard Enterprise requires that an authorized service provider replace the part. These parts are identified as "No" in the Illustrated Parts Catalog.