

Figure 86. Major assembly locations

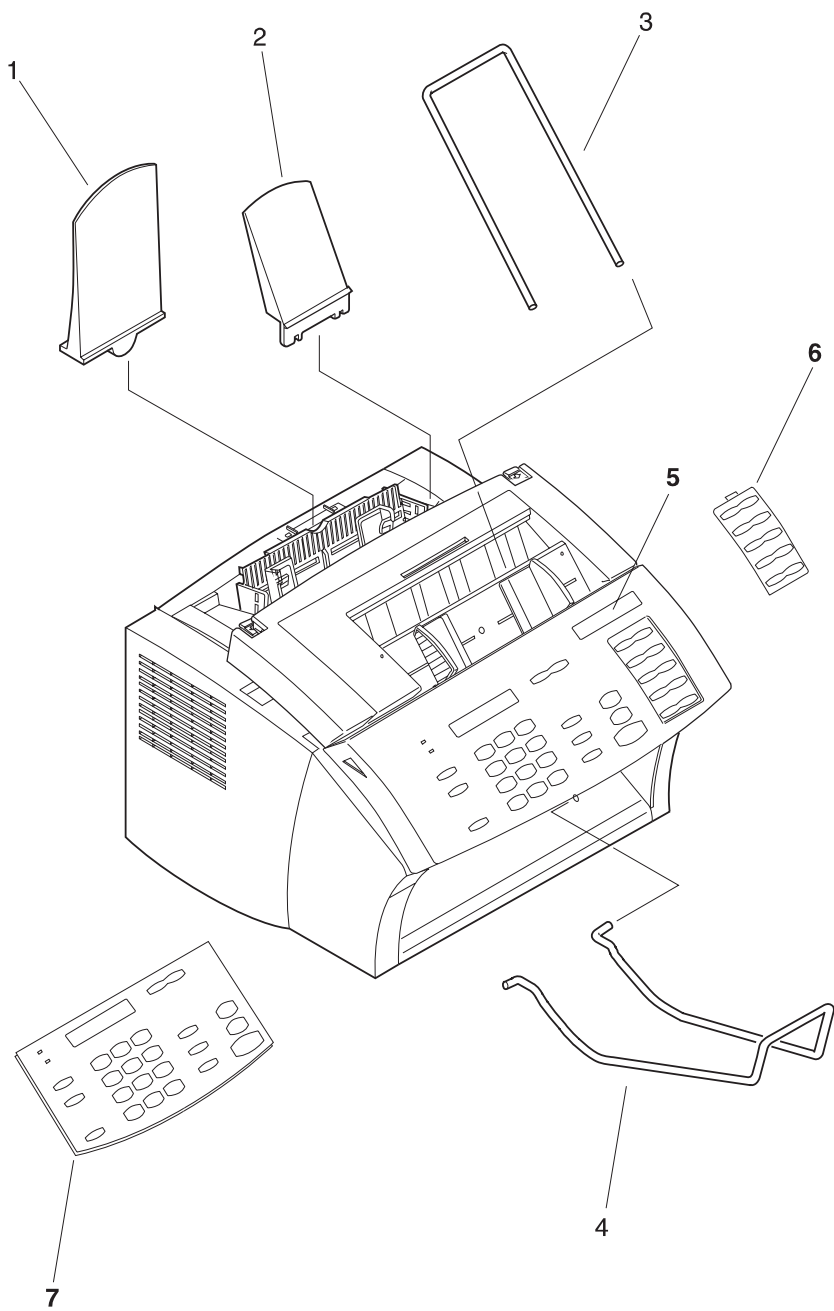


Figure 87. Supports

Table 25. Supports

Reference	Part number	Description
1	RB2-3362-000CN	Paper input support
2	RB2-3410-000CN	Paper output support
3	RB2-3455-000CN	Document feeder support
4	RB2-3470-000CN	Document output support
5	C4256-40001	Nameplate—LJ 3150
6	RB2-3393-000CN	One-touch pad overlay sheet
7	C3948-00019	Control panel overlay—Danish
	C4256-00036	Control panel overlay—Dutch
	C4256-00020	Control panel overlay—Finnish
	C4256-00037	Control panel overlay—French
	C3948-00010	Control panel overlay—German
	C4256-00038	Control panel overlay—Hungarian
	C3948-00038	Control panel overlay—Israel/Hebrew
	C4256-00034	Control panel overlay—Italian
	C4256-00021	Control panel overlay—Norwegian
	C4256-00006	Control panel overlay—Polish
	C4256-00035	Control panel overlay—Russian
	C4256-00007	Control panel overlay—Simplified Chinese
	C4256-00033	Control panel overlay—Spanish
	C3948-00022	Control panel overlay—Swedish
	C3948-00037	Control panel overlay—Traditional Chinese

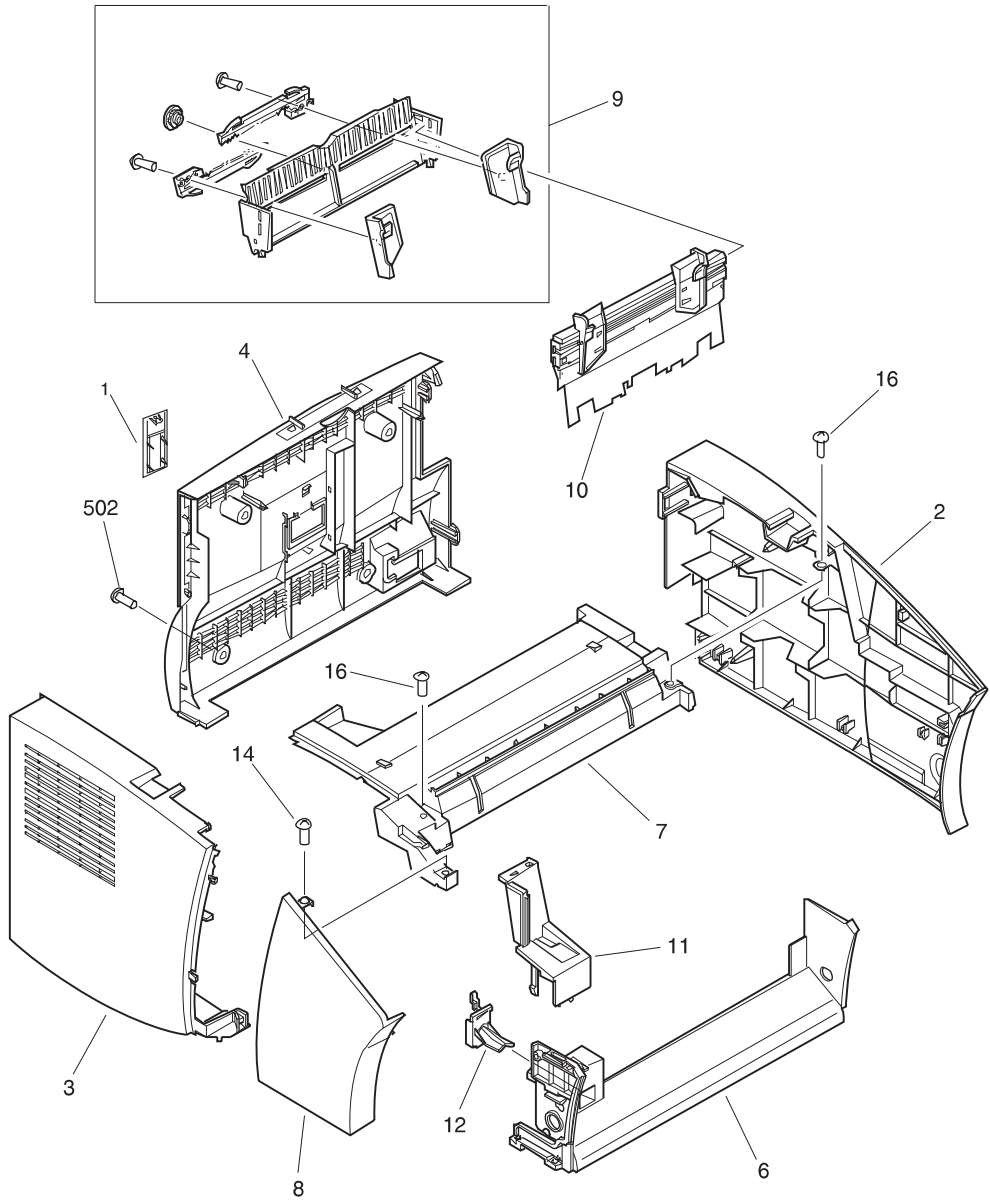


Figure 88. External covers and panels

Table 26. External covers and panels

Reference	Part number	Description
1	C3948-40010	I/O bezel
2	RB2-3341-000CN	Right cover
3	RB2-3360-000CN	Left cover
4	RB2-3361-000CN	Rear cover
6	RB2-3449-000CN	Front casing
7	RB2-3450-000CN	Top cover
8	RB2-3451-000CN	Left front cover
9	RG5-3488-000CN	Input bin assembly
10	RG5-4763-000CN	Single-sheet input slot assembly
11	RB2-3452-000CN	Pressure release lever cover
12	RB2-3448-000CN	Paper path lever—LJ 3150 (darker in color)
	RB2-3453-000CN	Paper path lever—LJ 3100 (lighter in color)
14	XA9-0476-000CN	Screw, TP, M3X8
16	XA9-0724-000CN	Screw, M3X8 (2)
502	XA9-0497-000CN	Screw, M4X6 (4)

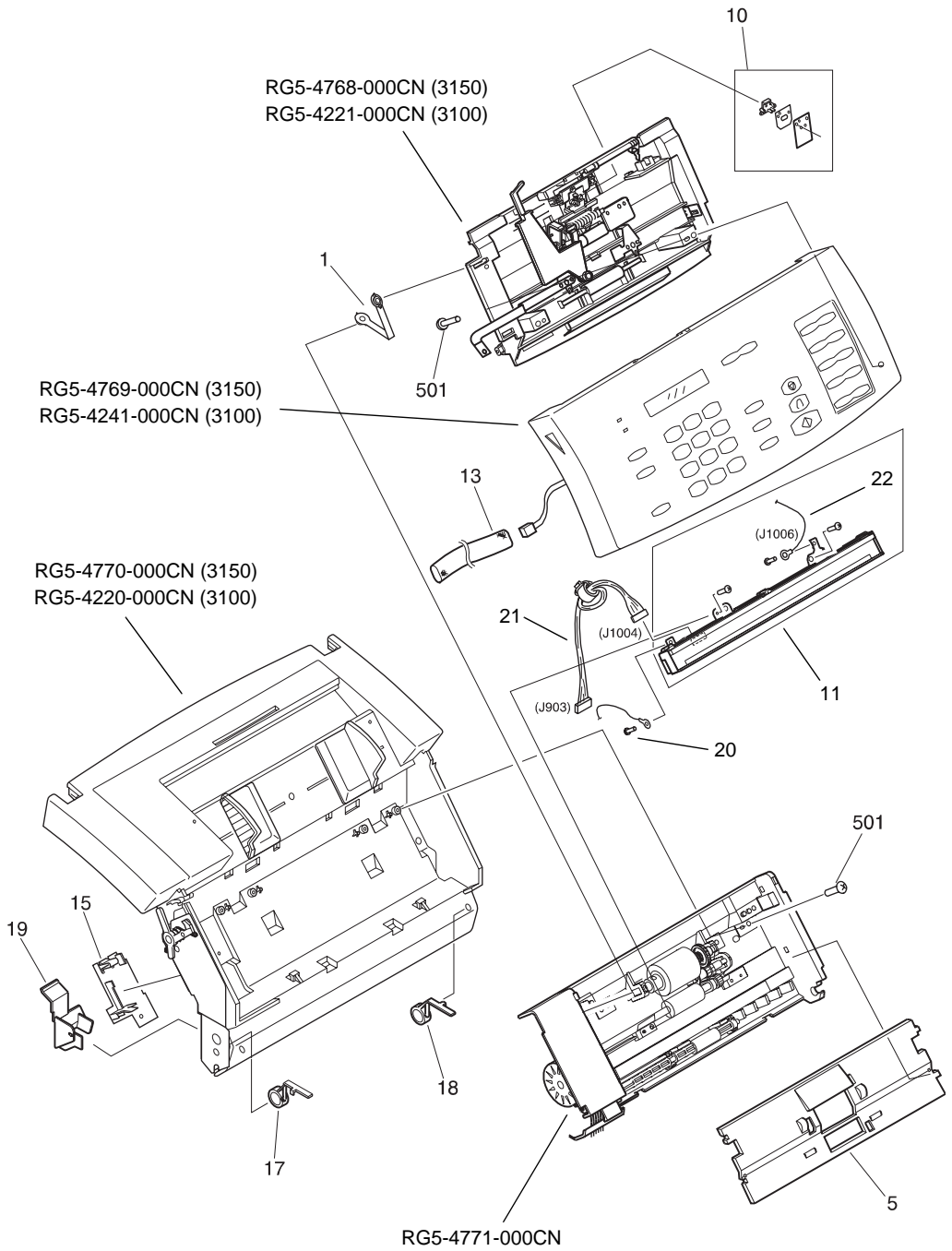


Figure 89. Printer door (1 of 2)

Table 27. Printer door (1 of 2)

Reference	Part number	Description
	RG5-4770-000CN	Printer door assembly—LJ 3150
	RG5-4220-000CN	Printer door assembly—LJ 3100
	RG5-4768-000CN	Upper guide assembly—LJ 3150
	RG5-4221-000CN	Upper guide assembly—LJ 3100
	RG5-4771-000CN	Document scanner assembly
	RG5-4769-000CN	Control panel assembly—LJ 3150
	RG5-4241-000CN	Control panel assembly—LJ 3100
1	RB2-3354-000CN	Strap
5	RB2-3436-000CN	Document scanner guide
10	RY7-5055-000CN	Separation pad kit for document scanner path
11	RG5-4239-000CN	Contact image sensor assembly
13	RB2-3351-000CN	Cable tube
15	RB2-3454-000CN	Spacer
17	RB2-3468-000CN	Left hinge cover
18	RB2-3469-000CN	Right hinge cover
19	RB2-3409-000CN	Cable guide
20	FA9-1449-000CN	Screw—LJ 3100
	XA9-0779-000CN	Screw—LJ 3150
21	RG5-4233-000CN	Cable, contact image sensor (J1004 to J903)
22	RG5-4238-000CN	Cable, CIS grounding
501	XB4-7300-807CN	Screw, tapping, truss head, M3X8 (7)

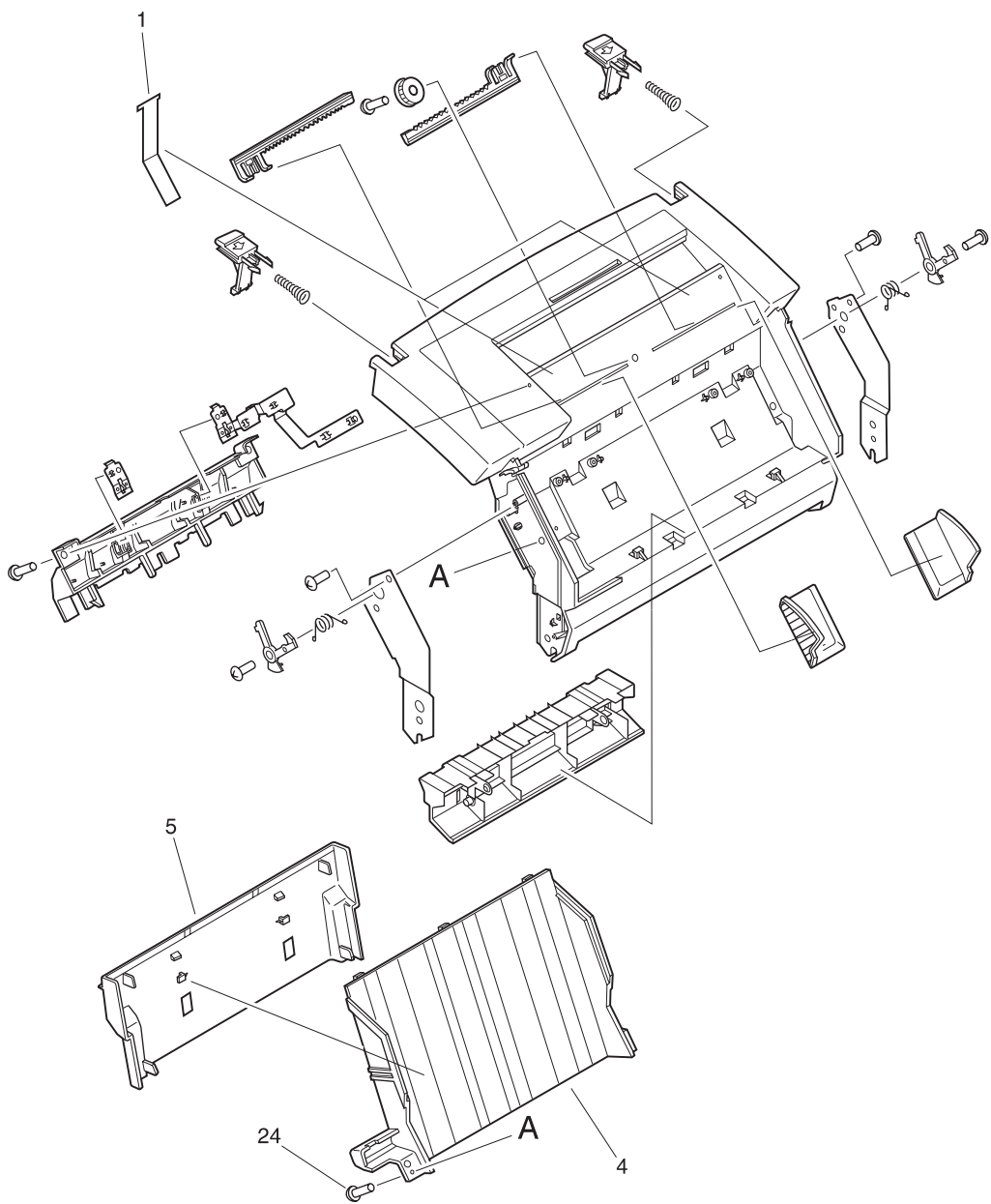


Figure 90. Printer door (2 of 2)

Table 28. Printer door (2 of 2)

Reference	Part number	Description
	RG5-4770-000CN	Printer door assembly—LJ 3150
	RG5-4220-000CN	Printer door assembly—LJ 3100
1	RB2-3365-000CN	Sheet, arching (2)
4	RB2-3401-000CN	Duct, 1
5	RB2-3402-000CN	Duct, 2
24	XA9-0614-000CN	Screw, M3X8 (4)

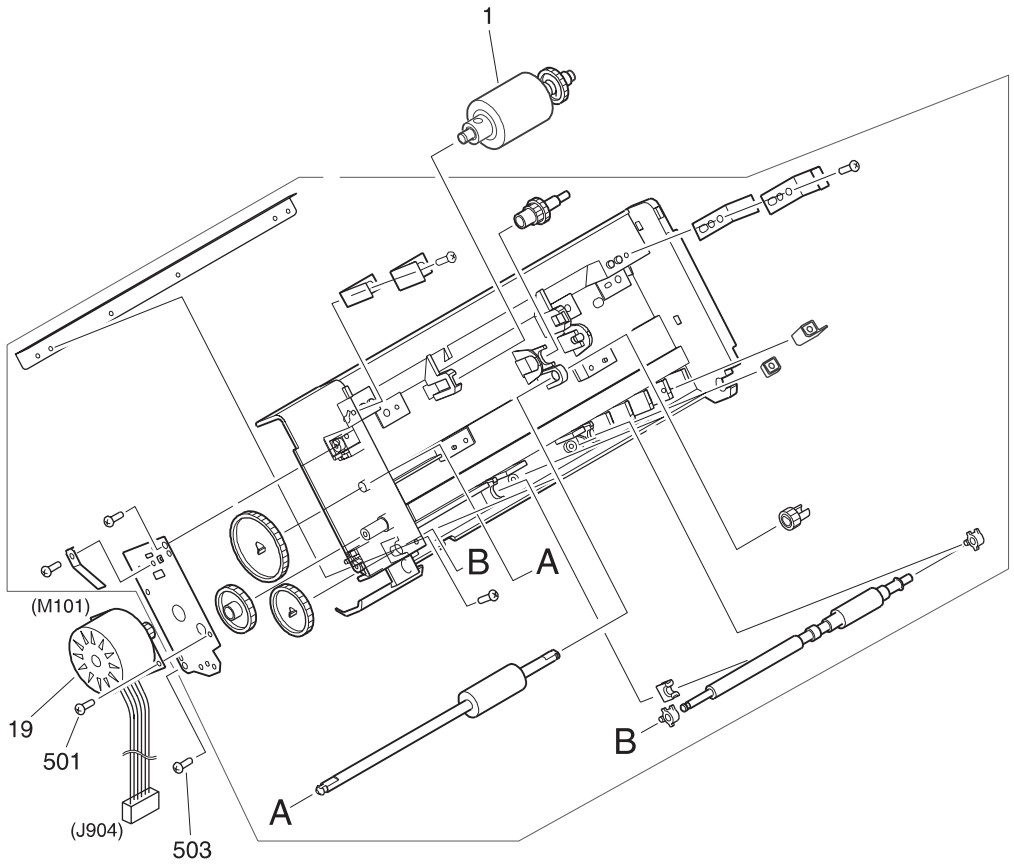


Figure 91. Document scanner assembly

Table 29. Document scanner assembly

Reference	Part number	Description
	RG5-4771-000CN	Document scanner assembly
1	RG5-4772-000CN	Pickup roller assembly, document scanner
19	RH7-1376-000CN	Motor, AC 1.08W
503	XB4-7300-807CN	Screw, M3X8

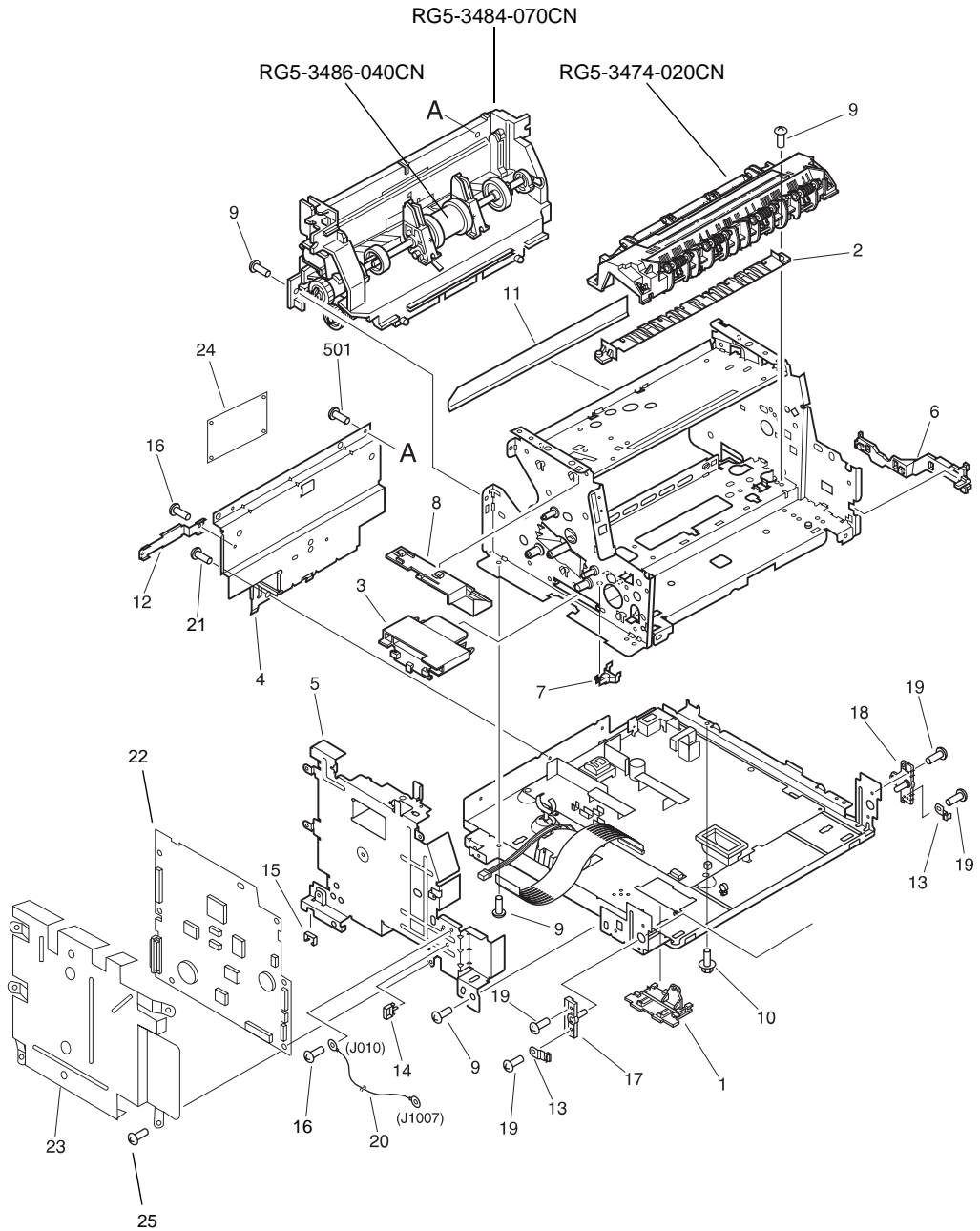


Figure 92. Internal components (1 of 3)

Table 30. Internal components (1 of 3)

Reference	Part number	Description
	RG5-3484-070CN	Paper pickup assembly
	RG5-3486-040CN	Pickup roller assembly
	RG5-3474-020CN	Delivery assembly
1	RB2-3345-000CN	Cap
2	RB1-7247-000CN	Paper guide
3	RB2-3350-000CN	Cable guide, formatter
4	RF5-2664-000CN	Reinforcement plate
5	RB2-3364-000CN	Metal plate
6	RB1-7130-020CN	Cable guide
7	RB1-7234-000CN	Cap
8	RB2-3366-000CN	Cable guide holder, formatter
9	XA9-0724-000CN	Screw M3X8 (11)
10	XA9-0855-000CN	Screw, RS, with washer, M3X8
11	RB1-7176-000CN	Guide sheet
12	RB2-4118-000CN	Grounding plate
13	RB2-3467-000CN	Grounding plate (2)
14	WT2-5178-000CN	Cable guide, control panel
15	WT2-5300-000CN	Cable guide, frame
16	XA9-0779-000CN	Screw
17	RB2-3465-000CN	Left hinge holder
18	RB2-3466-000CN	Right hinge holder
19	XA9-0434-000CN	Screw, TP, M3X4 (4)
20	RG5-4237-000CN	Cable, grounding, document scanner motor
21	XA9-0267-000CN	Screw
22	C3949-60001	Formatter—LJ 3100
	C3949-69001	Formatter—LJ 3100 (exchange)
	C3949-60002	Formatter—LJ 3150
	C3949-69002	Formatter—LJ 3150 (exchange)
23	C3948-00002	RFI shield
24	C3948-60001	LIU board (U.S.)
24	C3948-60002	LIU board (worldwide)
25	0515-2672	Screw, M3X6 (9)
501	XB4-7400-807CN	Screw, tapping, truss head, M4X8 (3)

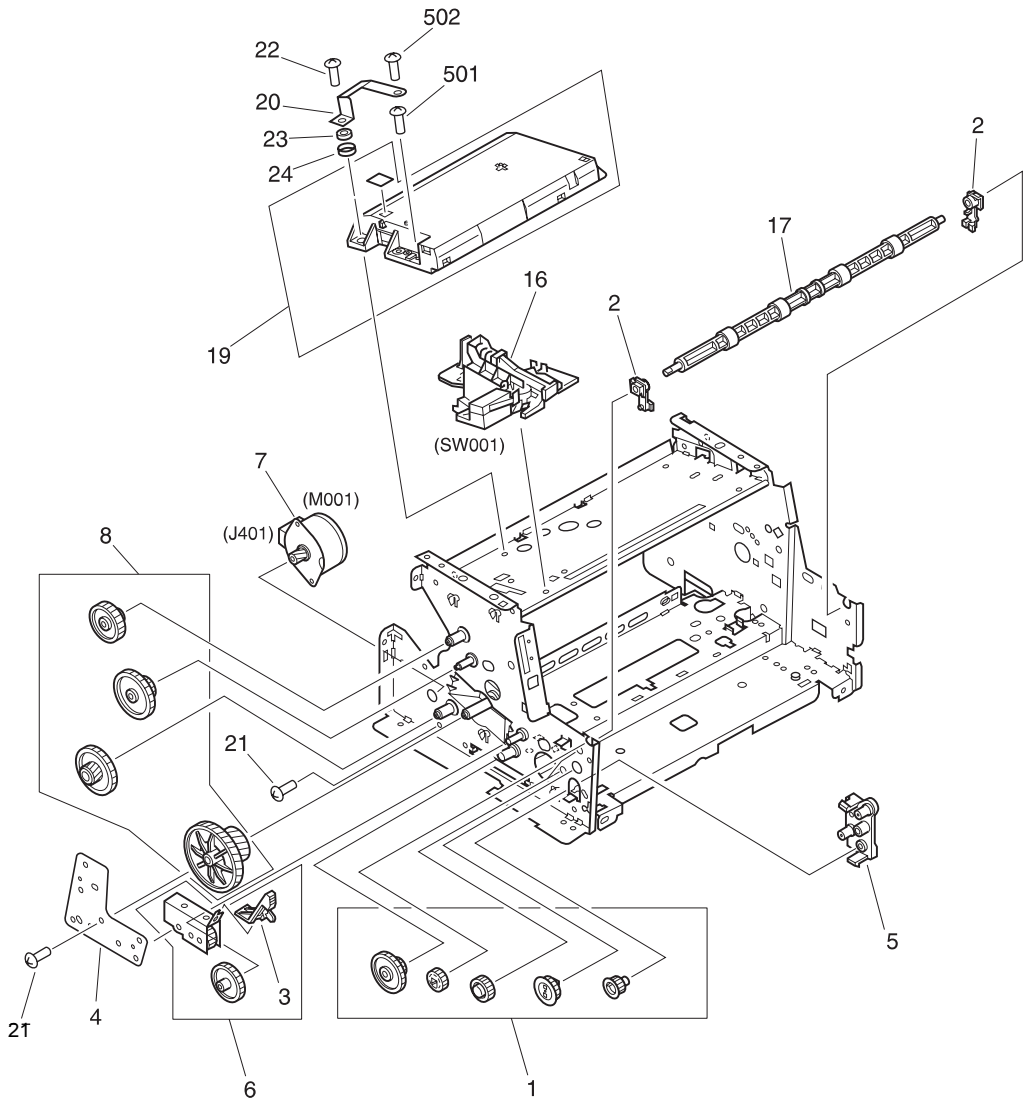


Figure 93. Internal components (2 of 3)

Table 31. Internal components (2 of 3)

Reference	Part number	Description
1	RY7-5005-000CN	Gear kit #1
2	RB1-7288-020CN	Bushing (2)
3	RB1-7105-000CN	Pressure release lever
4	RB2-1632-000CN	Gear support plate
5	RB1-7107-000CN	Gear holder
6	RY7-5007-000CN	Fuser release kit
7	RH7-1320-000CN	Motor, DC 12V
8	RY7-5036-000CN	Gear kit #2
16	RG5-3453-000CN	Switch lever assembly
17	RF5-2367-000CN	Exit roller
<p>Note: The Following two parts (ref. 19 and 20) must both be replaced if replacing either one.</p>		
19	RG5-3497-050CN	Laser/scanner assembly
20	RB1-7385-020CN	Grounding spring
21	XA9-0267-000CN	Screw, TP, M3X6 (2)
22	XA9-0382-000CN	Screw, TP, M3X12
23	WE8-5192-000CN	Ferrite ring core
24	RB9-0227-000CN	Spacer
501	XB6-7300-807CN	Screw, TP, M3X8 (5)
502	XB4-7300-809CN	Screw, tapping, truss head, M3X8

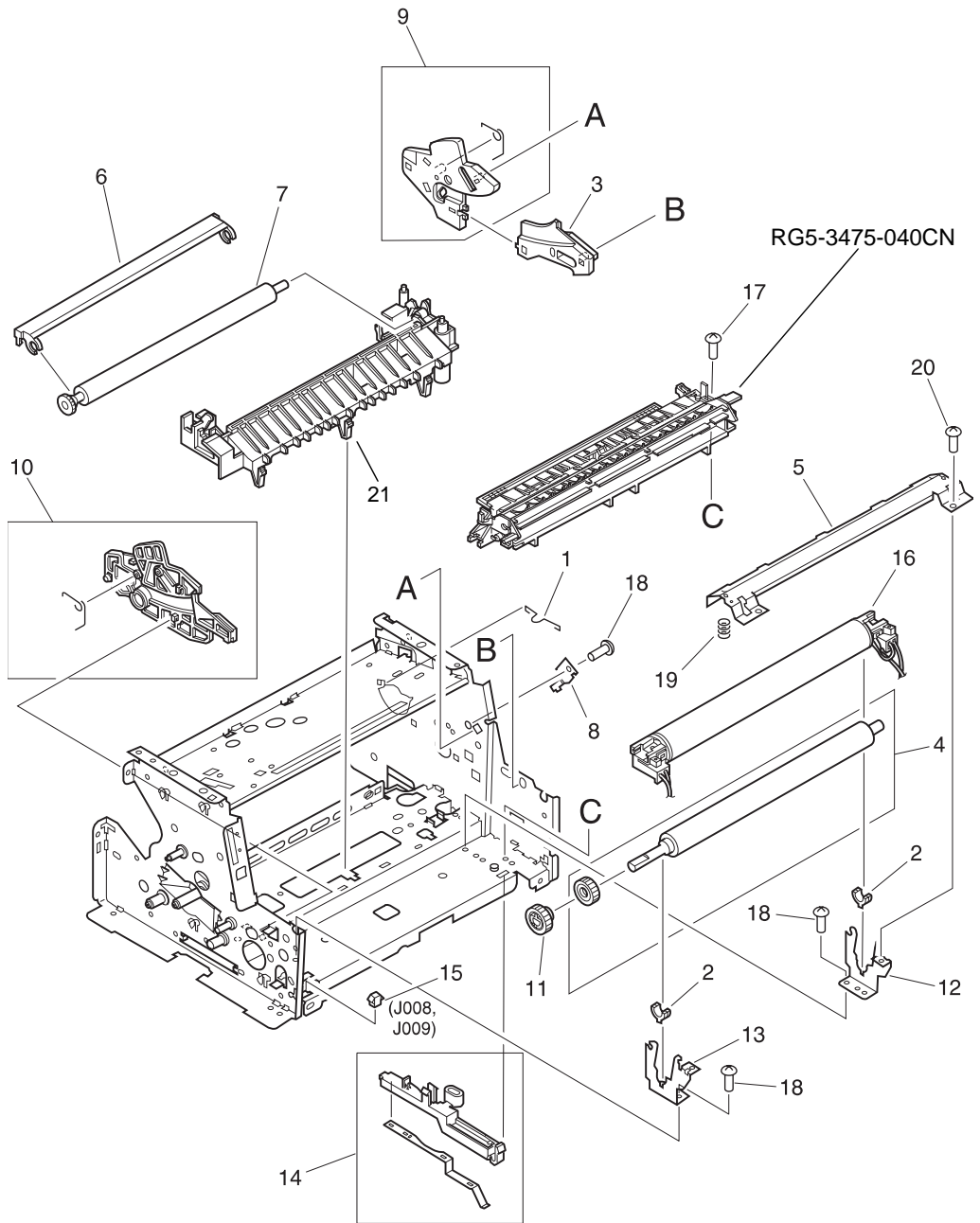


Figure 94. Internal components (3 of 3)

Table 32. Internal components (3 of 3)

Reference	Part number	Description
	RG5-3475-040CN	Separation guide assembly
1	RB1-7223-000CN	Grounding clip
2	RB1-7246-000CN	Bushing (2)
3	RB1-7341-030CN	Right cartridge guide #1
4	RF5-2364-000CN	Pressure roller
5	RF5-1517-020CN	Pressure plate
6	RF5-2358-000CN	Transfer guide
7	RF5-1534-000CN	Transfer roller
8	RB1-7129-000CN	Grounding metal
9	RF5-1515-020CN	Right cartridge guide #2
10	RF5-1514-020CN	Left cartridge guide
11	RS5-0796-000CN	Pressure roller gear (27T)
12	RB1-7256-000CN	Right side plate
13	RB1-7255-000CN	Left side plate
14	RF5-1533-000CN	Pressure roller ground guide
15	VS1-5057-002CN	Fuser connector (2P)
16	RG5-4678-000CN	Fixing assembly, 110 V
16	RG5-4681-000CN	Fixing assembly, 220 V
17	XA9-0724-000CN	Screw, M3X8
18	XA9-0686-000CN	Screw, M3X6
19	RS5-2508-000CN	Spring, compression
20	XA9-0824-000CN	Screw, RS, M3X10
21	RG5-3452-000CN	Transfer guide assembly
	CK-8006-000CN	Pressure roller grease

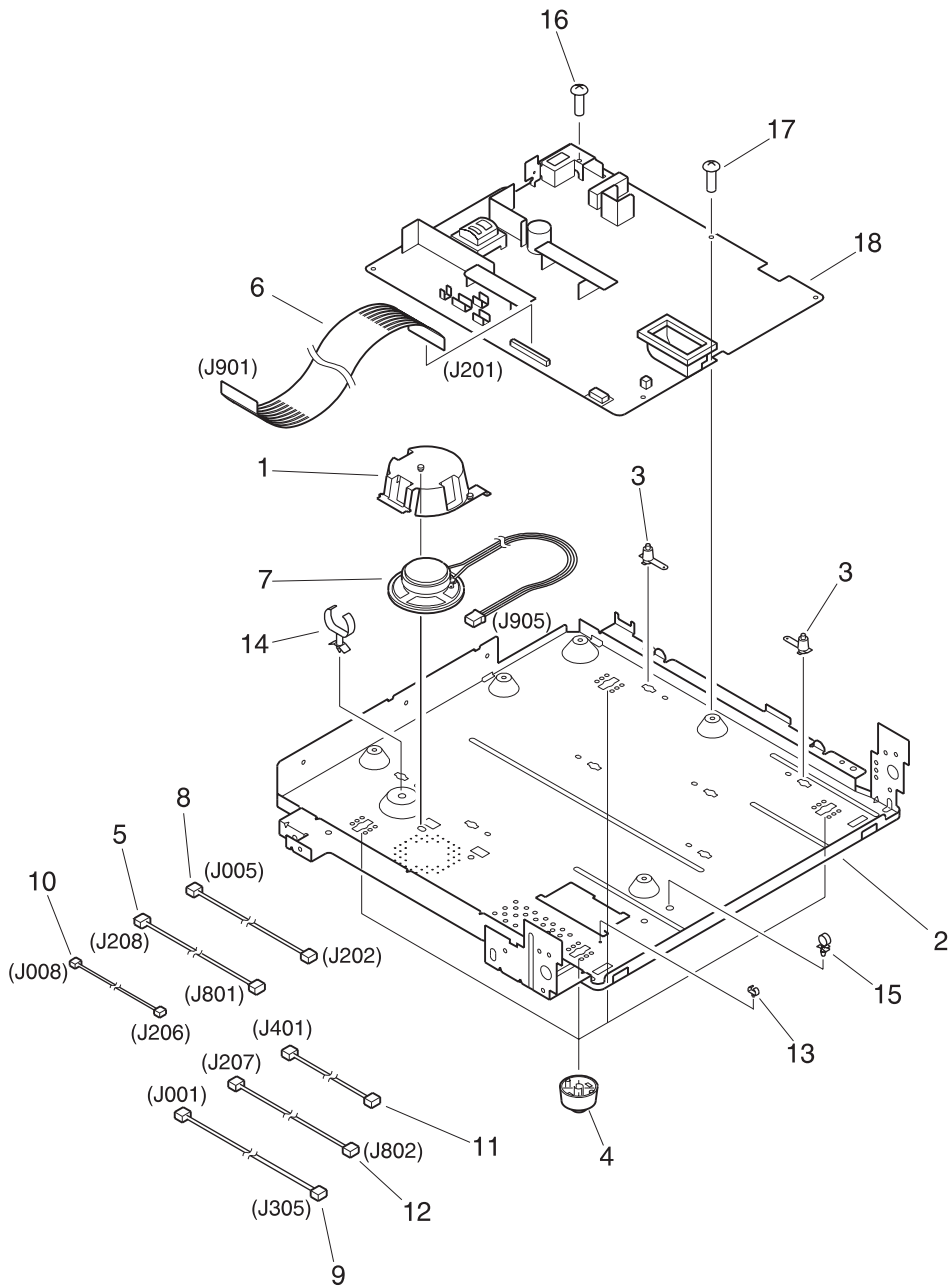


Figure 95. Electrical components assembly

Table 33. Electrical components assembly

Reference	Part number	Description
1	RB2-3346-000CN	Speaker mount
2	RB2-3342-000CN	Bottom plate
3	RB2-3347-000CN	Spacer, PCB (7)
4	RF5-2663-000CN	Foot (4)
5	RG5-2035-000CN	Cable, laser
6	RH2-5346-000CN	Cable, formatter
7	RH6-3845-000CN	Speaker
8	RG5-2029-000CN	Cable, paper pickup
9	RG5-3662-000CN	Cable, door switch
10	RG5-2032-000CN	Cable, thermistor
11	RG5-2033-000CN	Cable, motor
12	RG5-3661-000CN	Cable, scanner
13	WT2-0276-000CN	Clamp, wire
14	WT2-0367-000CN	Clamp, cable
15	WT2-5178-000CN	Clamp, cable
16	XA9-0828-000CN	Screw, with star washer, M3X4
17	XA9-0890-000CN	Screw, with washer, M3X6 (4)
18	RG5-4690-000CN	ECU, 110 V
18	RG5-4691-070CN	ECU, 220 V
	C3948-60102	Cable, LIU

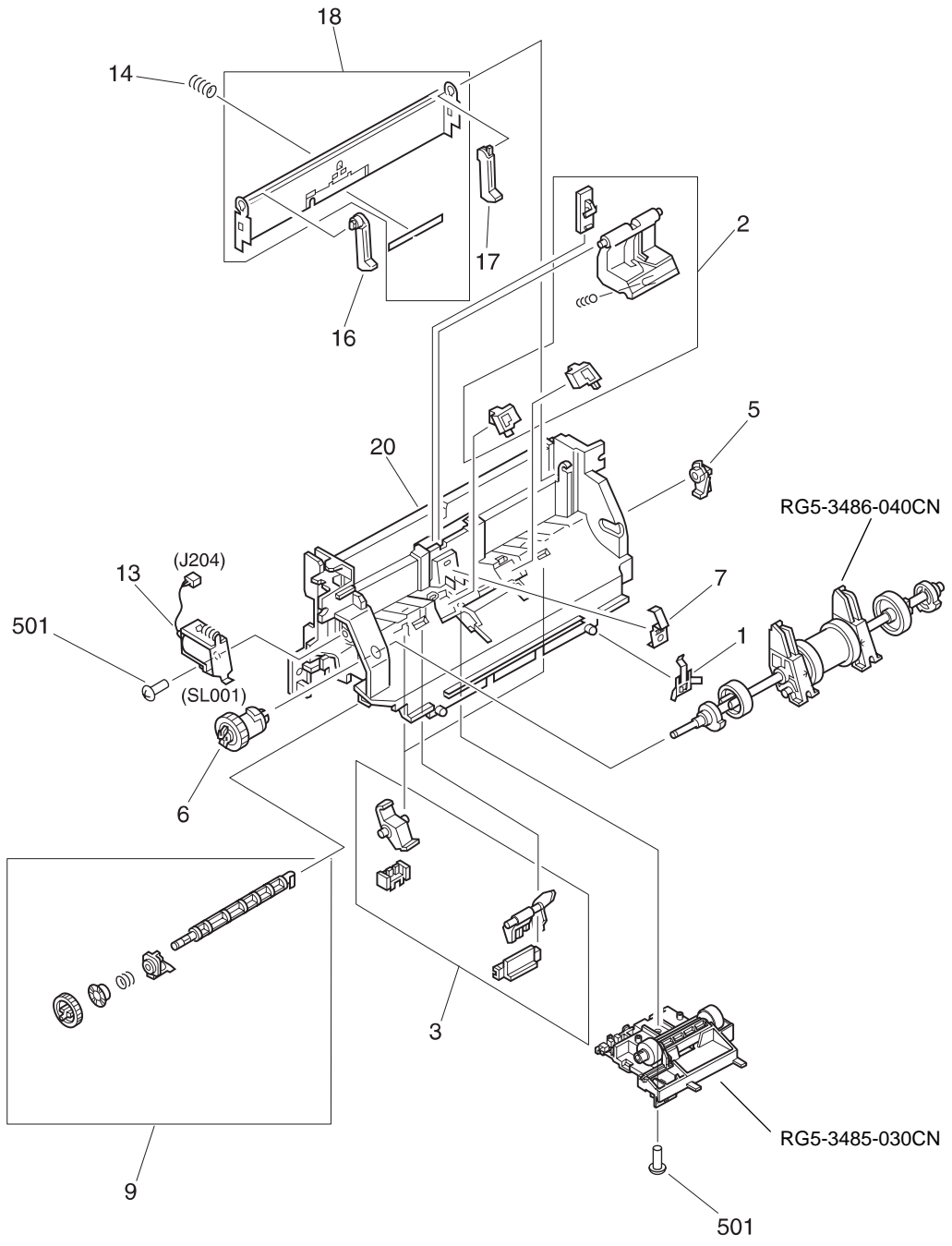


Figure 96. Paper pickup assembly

Table 34. Paper pickup assembly

Reference	Part number	Description
	RG5-3484-070CN	Paper pickup assembly
	RG5-3485-030CN	Feed assembly
	RG5-3486-040CN	Pickup roller assembly (Note: if replacing this part, also replace the separation pad kit, part number RY7-5008-000CN)
1	RB1-7172-000CN	Spring, grounding
2	RY7-5008-000CN	Separation pad kit (Note: if replacing this part, also replace the pickup roller assembly, part number RG5-3486-040CN)
3	RY7-5009-000CN	Input sensor assembly
5	RB1-7184-000CN	Bushing
6	RB1-7197-020CN	Clutch
7	RB1-7199-000CN	Spring, grounding
9	RG5-1947-000CN	Paper feed drive assembly
13	RH7-5139-000CN	Solenoid
14	RS5-2501-000CN	Spring, compression
16	RB1-7185-000CN	Arm, plate, left
17	RB1-7186-000CN	Arm, plate, right
18	RF5-2372-000CN	Plate, middle
20	RB1-7177-000CN	Frame, paper feed
501	XB4-7401-000CN	Screw, tapping, pan head, M4X10 (2)

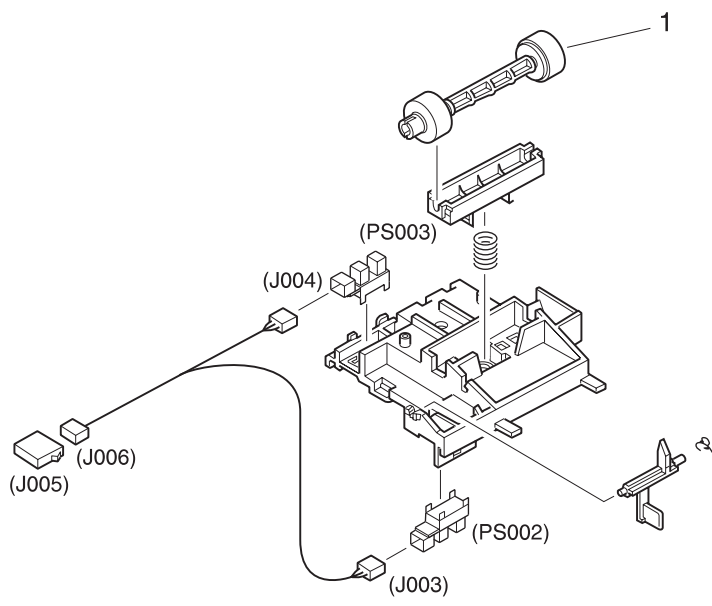


Figure 97. Feed assembly

Table 35. Feeder assembly

Reference	Part number	Description
	RG5-3485-030CN	Feed assembly
1	RB2-1699-000CN	Feed roller

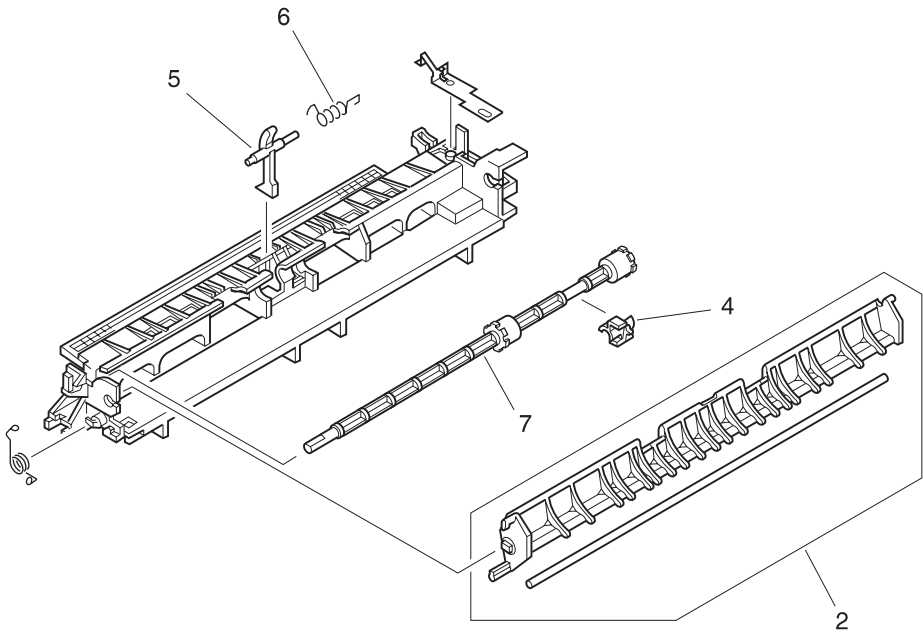


Figure 98. Separation guide assembly

Table 36. Separation guide assembly

Reference	Part number	Description
	RG5-3475-040CN	Separation guide assembly
2	RG5-3476-000CN	Face-up/face-down lever
4	RB2-1690-000CN	Fuser roller bushing
5	RB1-7293-000CN	Lever, sensor
6	RB1-7294-000CN	Spring, torsion
7	RF5-2368-000CN	Fuser exit roller assembly

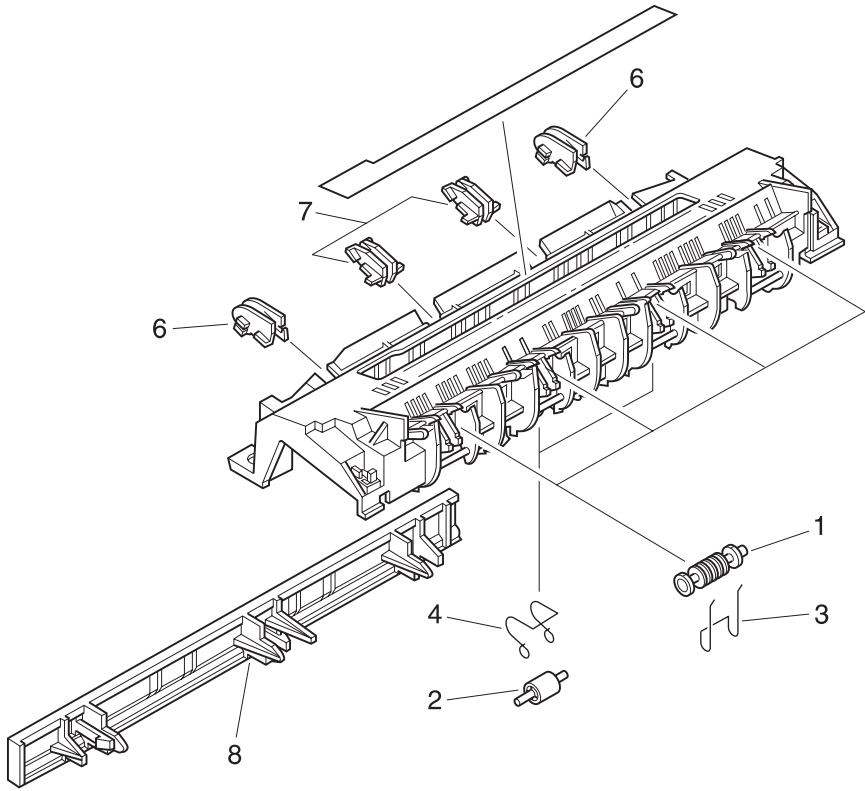


Figure 99. Delivery assembly

Table 37. Delivery assembly

Reference	Part number	Description
	RG5-3474-020CN	Delivery assembly
1	RB1-7284-020CN	Delivery roller #1 (4)
2	RB2-1685-000CN	Delivery roller #2 (2)
3	RB1-7286-000CN	Delivery spring #1 (4)
4	RB1-7287-000CN	Delivery spring #2 (2)
6	RG5-3479-000CN	Spur assembly outside (2)
7	RG5-3478-000CN	Spur assembly inside (2)
8	RB1-7334-000CN	Jammed paper protector