

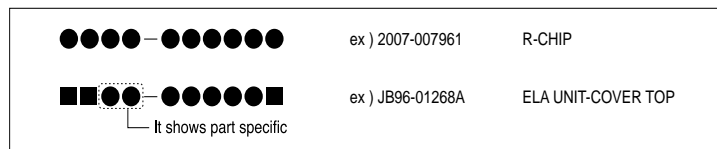
5. Exploded Views and Parts List

- Deal drawings and service parts are declared for the items with higher rate of inferiority and replaceable in the level of service description only.
- If inferiority occurs, you can replace the parts by the unit declared in deal drawings and service items.

Way to observe Part Code & Description

Part code and Description is quoted and controlled by determined standard. Refer to this determined standard, it will help with ordering Part.

- There are two kinds of Part code inscription type.



(● : figure, ■ : character (alphabet))

Type 1 : Controlled by Company : It can be commonly used for all kinds of product SEC produce. Mostly, electronics Parts.

Type 2 : Controlled by Division : It is used or one produce. Mostly, Mostly, mechanical Parts.

- **A/S privately used part** : It is only used for A/S .

- **Ass'y part** : Assembled by more than 2 Parts. If necessary part is not A/S Part, Ass'y part including necessary par can be used. It is shown in the diagram and drawing of SVC manual.

Ass'y part and A/S privately used Part is distinguished by part Code and Description. The are inscription type 2. It is recognized by Part character and front side of description.

DIVISION	PART CODE	DESCRIPTION
A/S Private	**81_***** (JB81-00039A)	AS-***** (AS-USE)
ASS'Y Part	**75_***** (JB75-00068A)	MEC-***** (MEC-CHUTE)
ASS'Y Part	**92_***** (JB92-01131A)	PBA ***** (PBA MAIN-CONTROLLER)
ASS'Y Part	**97_***** (JB97-01089A)	MEA ***** (MEA UNIT-PULLEY IDLE)

5-1 Exploded Views and Parts List

• Service Parts List

O : Service available X : Service not available

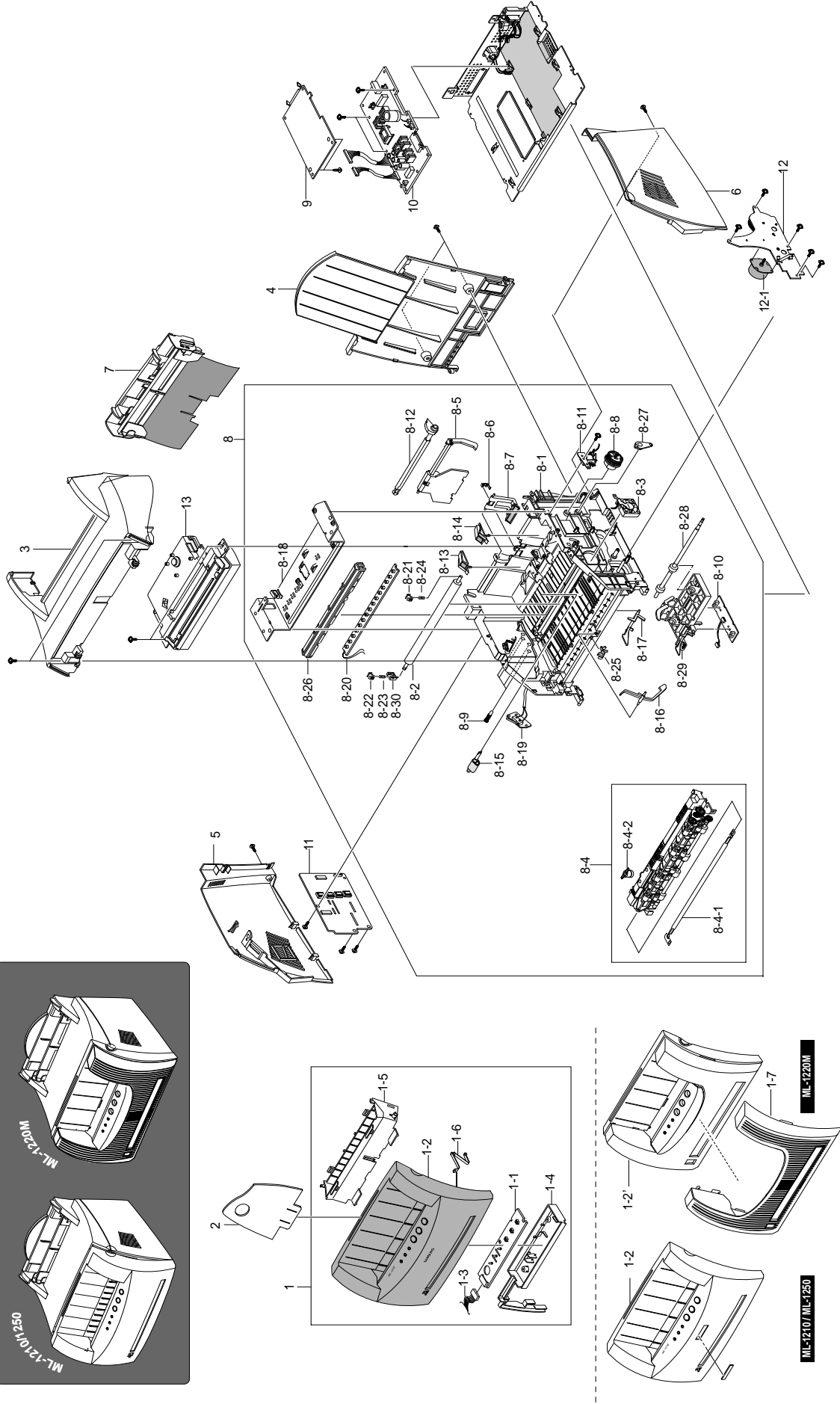
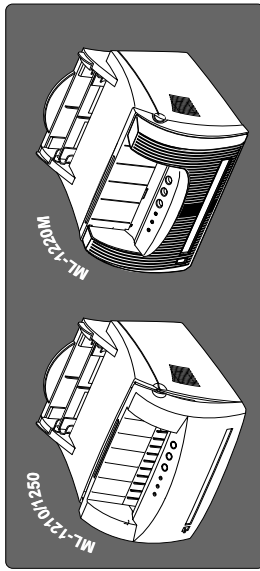
No.	Description	SEC.Code	Q'ty	SA	Remark
1	ELA UNIT-CVR FRONT	*	1	X	
1-1	PBA SUB-LED PANEL	JC92-01280A	1	O	
1-2	PMO-COVER FRONT	refer to the table ⇒	1	O	
1-3	CBF HARNESS-FRONT PANEL	JC39-00112C	1	O	
1-4	PMO-COVER PCB	JC72-00678A	1	O	
1-5	PMO-GUIDE STACKER	JC72-00511A	1	O	
1-6	PMO-STOPPER	JC72-00519A	1	O	
1-7	PMO-COVER FRONT, SUB IMAC	JC72-00843A	1	O	ML-1220M ONLY
2	PMO-STACKER RX	JC72-00302A	1	O	ML-1210,1250
	PMO-STACKER RX	JC72-00302C	1	O	ML-1220M
3	PMO-COVER TOP	JC72-00522A	1	O	
4	PMO-COVER REAR	JC75-00094A	1	O	
5	PMO-COVER SIDE(L)	JC72-00523A	1	O	
6	PMO-COVER SIDE(R)	JC72-00524A	1	O	
7	MEC-TRAY(P)	JC75-00099A	1	O	ML-1210,1250
	MEC-TRAY(P)	JC75-00099D	1	O	ML-1220M
8	ELA UNIT-FR LOWER	*	1	X	
8-1	PMO-FRAME LOWER	JC72-00533A	1	O	
8-2	MEC-ROLLER_TRANSFER	JC75-00129A	1	O	
8-3	FAN-DC	3103-001085	1	O	
8-4	ELA HOU-FUSER ASS'Y	JC81-00424A	1	O	▲ 220V
	ELA HOU-FUSER ASS'Y	JC81-00423A	1	O	▲ 110V
8-4-1	LAMP-HALOGEN	4713-001136	1	O	▲ 220V
	LAMP-HALOGEN	4713-001135	1	O	▲ 110V
8-4-2	THERMOSTAT	4712-000001	1	O	▲ 125 / 250V
8-5	MEC KNOCKUP-ASS'Y	JC75-00053A	1	O	
8-6	MEC UNIT HOLDER PAD	JC97-01486A	1	O	
8-7	PMO-CAP_PAD	JC72-00124A	1	O	
8-8	MEC GEAR-PICK UP	JC75-00056A	1	O	
8-9	MEC-TERMINAL	JC75-00049A	5	O	
8-10	PBA MAIN-SENSOR	JC92-01197A	1	O	
8-11	SOLENOID	JC33-00002B	1	O	
8-12	MEC-CAM PICK UP	JC75-00072A	1	O	
8-13	MEC-SIDE PAD(L)	JC75-00050B	1	O	
8-14	MEC-SIDE PAD(R)	JC75-00051B	1	O	
8-15	PMO-HOUSING-PICK UP	JC72-00109A	1	O	
8-16	PMO-ACTUATOR-EXIT	JC72-00130A	1	O	
8-17	PMO-ACTUATOR-FEED	JC72-00119A	1	O	
8-18	MEC-PLATE UPPER	JC75-00111A	1	O	
8-19	ELA HOU-OPEN SENSOR	JC96-01584A	1	O	
8-20	ELA HOU-PTL ASS'Y	JC96-02037A	1	O	
8-21	PMO-BUSHING_TR(R)	JC72-00101A	1	O	
8-22	PMO-BUSHING_TR(L)	JC72-00102A	1	O	
8-23	SPRING-TR, L	JC61-00458A	1	O	
8-24	SPRING-TR (300)	JC61-00024A	1	O	
8-25	PMO-HOLDER_EXIT	JC72-00532A	1	O	
8-26	PMO-COVER PTL	JC72-00534A	1	O	
8-27	PMO-BUSHING SHAFT	JC72-40849A	1	O	
8-28	MEC-ROLLER FEED	JC75-00054A	1	O	
8-29	EMC-HOLDER FEED	JC75-00055A	1	O	
8-30	PMO-HOLDER TR	JC72-00100D	1	O	
9	PBA MAIN-CONTROLLER GDI	JC92-01316D	1	O	ML-1210
	PBA MAIN-CONTROLLER PCL	JC92-01333A	1	O	ML-1250
	PBA MAIN-ML-1220M IMAC(SUB)	JC92-01316C	1	O	ML-1220M
10	SMPS-ML-1210 V2	JC44-00026A	1	O	▲ 220V
	SMPS-ML-1210 V1	JC44-00025A	1	O	▲ 110V
11	SMPS-HVPS	JC44-00024A	1	O	ML-1210/1220M
	SMPS-HVPS	JC44-00036A	1	O	ML-1250
12	ELA UNIT-RX DRIVE	JC96-02125A	1	O	
12-1	MOTOR-STEP 7.5	JC31-00005B	1	O	
13	UNIT-LSU	JC59-00015A	1	O	ML-1210/1220M
	UNIT-LSU	JC59-00015B	1	O	ML-1250

• PMO-COVER FRONT •

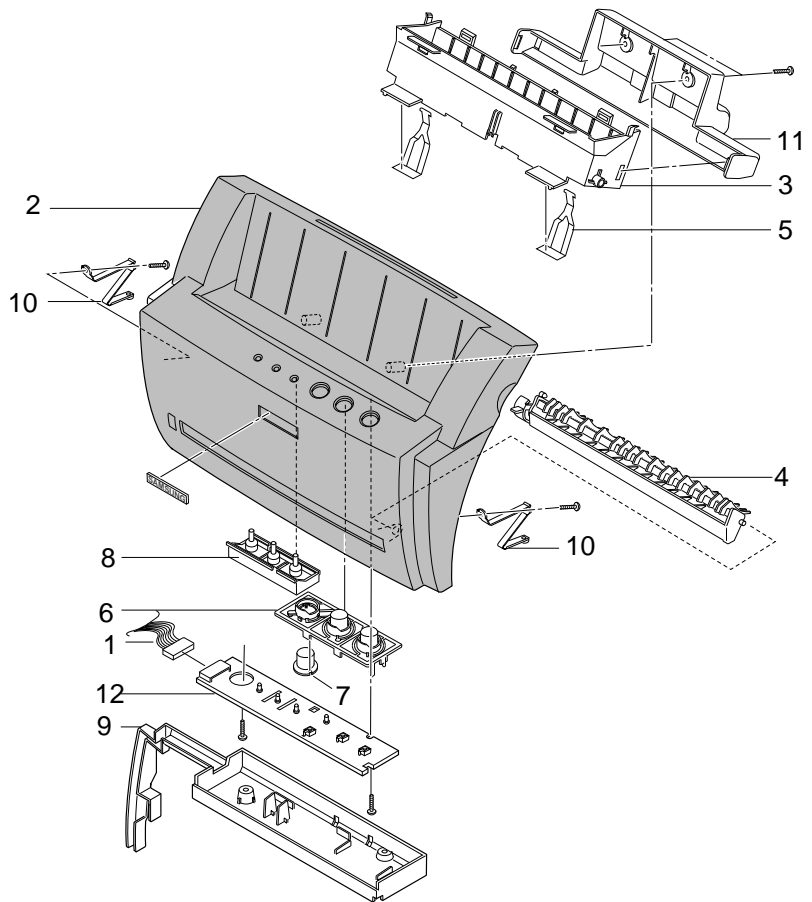
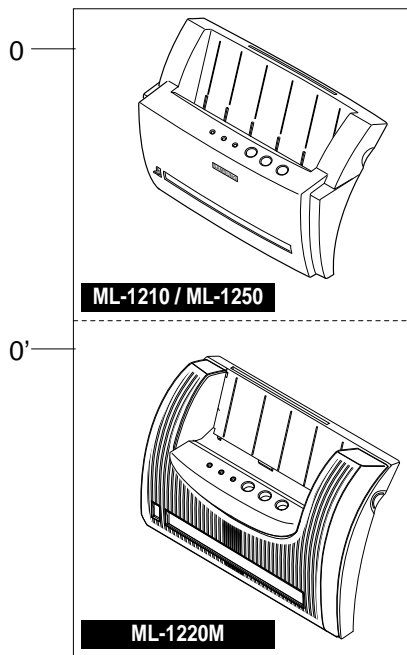
ML-1210	
ML-1210/XAA	JC72-00677A
ML-1210/XAC	JC72-00677A
ML-1210/XAX	JC72-00677F
ML-1210/XEG	JC72-00677A
ML-1210/XEU	JC72-00677A
ML-1210/XEF	JC72-00677E
ML-1210/XET	JC72-00677A
ML-1210/XEC	JC72-00677F
ML-1210/XEO	JC72-00677A
ML-1210/XIL	JC72-00677G
ML-1210/XIP	JC72-00677A
ML-1210/XSA	JC72-00677A
ML-1210/XEV	JC72-00677V
ML-1210/XEN	JC72-00677A

ML-1250	
ML-1250/XAA	JC72-00677B
ML-1250/XAC	JC72-00677B
ML-1250/XEC	JC72-00677M
ML-1250/XEG	JC72-00677B
ML-1250/XEU	JC72-00677B
ML-1250/XEF	JC72-00677L
ML-1250/XET	JC72-00677B
ML-1250/XIL	JC72-00677N
ML-1250/XAX	JC72-00677B
ML-1250/XIP	JC72-00677M
ML-1250/XSA	JC72-00677B

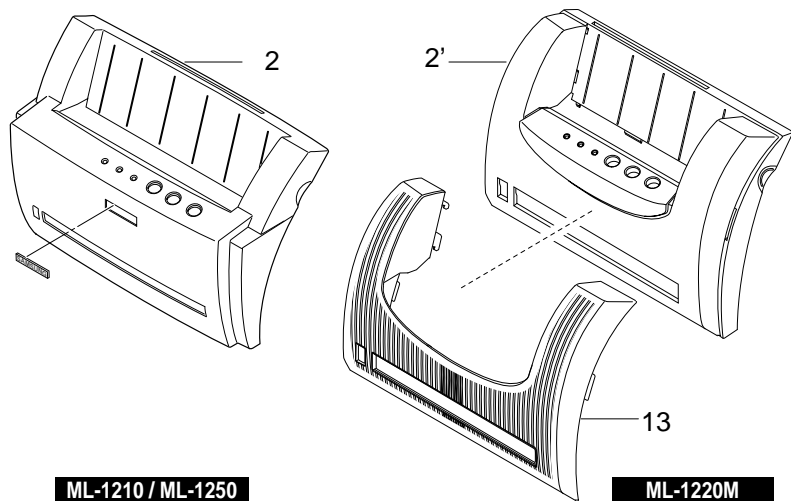
ML-1220M	
ML-1220M/XEU	JC72-00841A
ML-1220M/XEF	JC72-00841B
ML-1220M/XIL	JC72-00841C
ML-1220M/AC	JC72-00841A



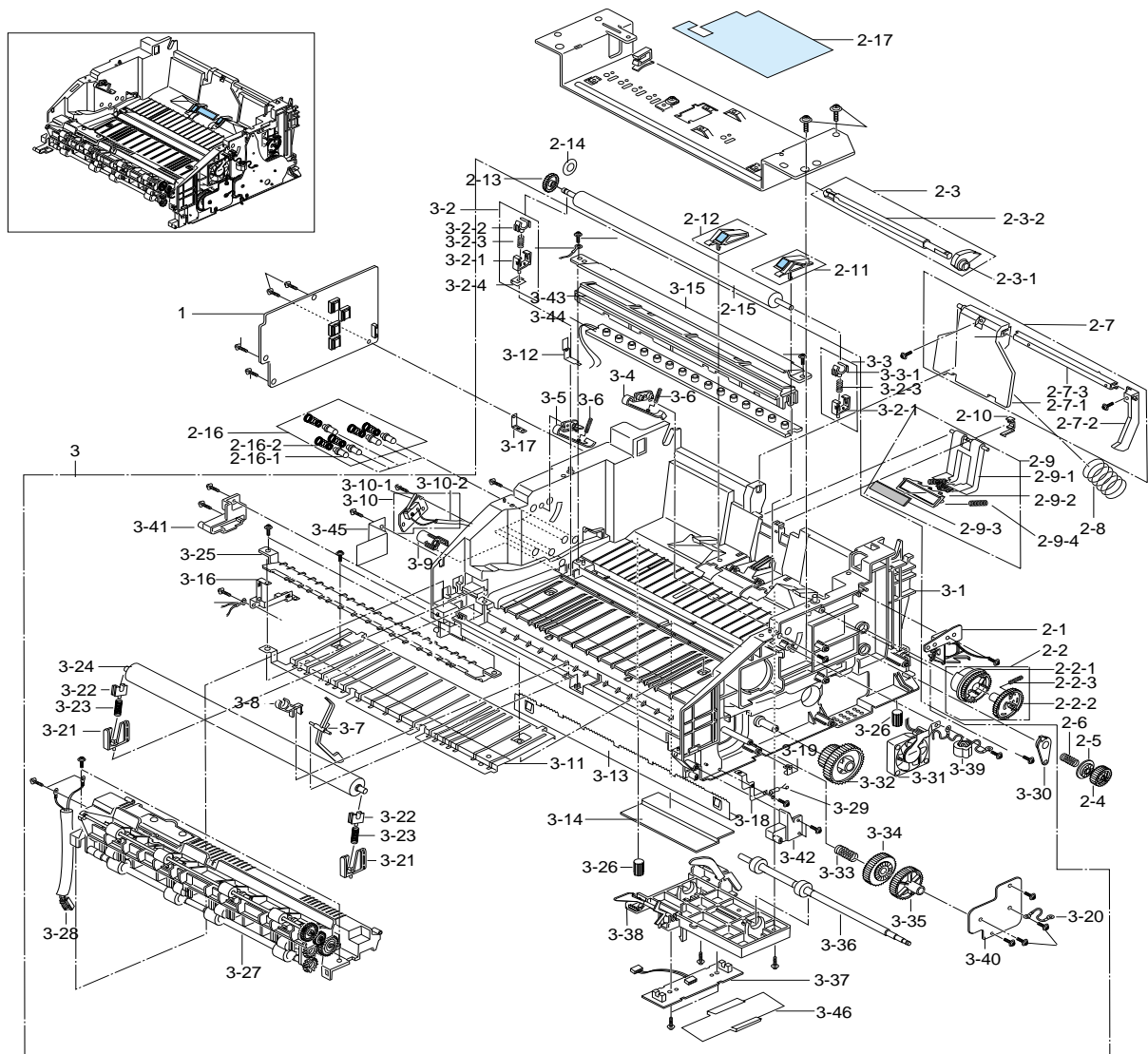
5-2 Front Assembly



NO	DESCRIPTION
0	ELA HOU-COVER FRONT
0'	ELA HOU-COVER FRONT
1	CBF-HARNES-PANEL MAIN
2	PMO-COVER FRONT
3	PMO-GUIDE STACKER
4	PMO-DOOR FACE UP
5	PPR-SHEET PAPER GUIDE
6	PMO-KEY A
7	PMO-KEY B
8	PMO-LENS SED
9	PMO-COVER PCB
10	PMO-STOPPER
11	PMO-BRKT PUSH DEVE
12	PBA SUB DISP-PANEL
13	PMO-COVER FRONT, SUB IMAC

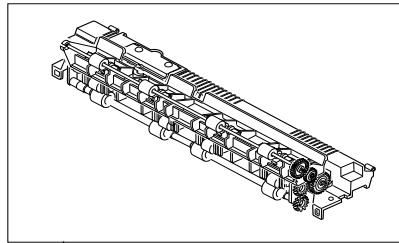


5-3 Engine/Frame Lower Assembly



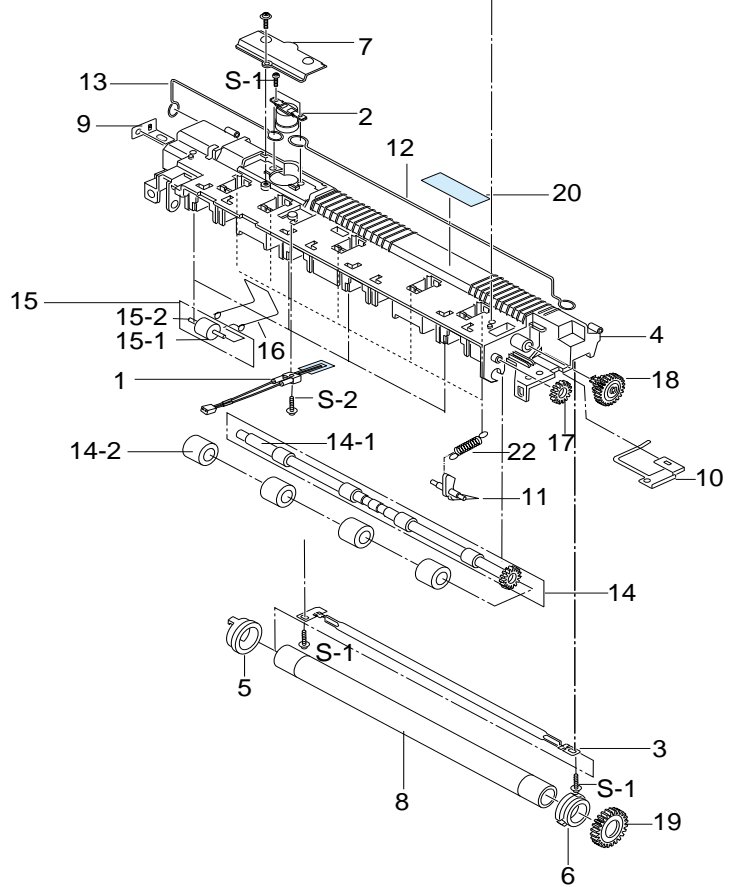
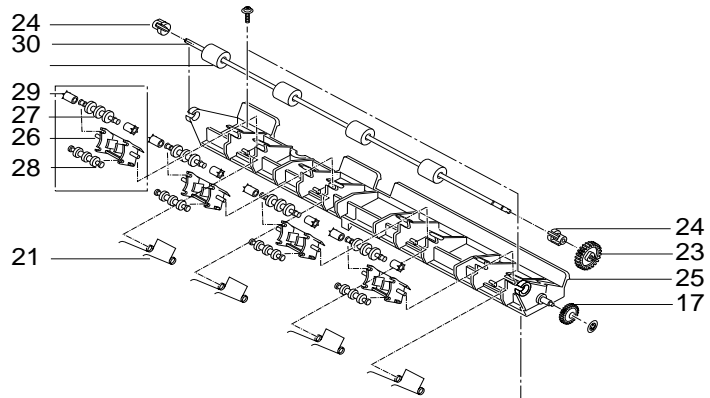
NO	DESCRIPTION	NO	DESCRIPTION	NO	DESCRIPTION
1	SMPS-HVPS	2-16-1	TERMINAL	3-17	IPR-GROUND_HVPS
2	ELA HOU-ENGINE ASS'Y	2-16-2	SPRING-HV APOLLO	3-18	IPR-GROUND_FUSER
2-1	SOLENOID-(APOLLO)	2-17	PCT-INSULATOR ENG B'D	3-19	IPR-GROUND_DRIVE
2-2	MEC-GEAR PICKUP	S-1	SCREW-TAPTITE	3-20	CBF HARNESS-OPE GND
2-2-1	PMO-GEAR_PICKUP,1	3	ELA HOU-FRAME LOWER	3-21	PMO-HOLDER_PR
2-2-2	PMO-GEAR_PICKUP,2	3-1	PMO-FRAME LOWER	3-22	BEARING-PRESSURE R
2-2-3	SPRING-PICKUP,GEAR	3-2	MEA ETC-HOLDER TR L	3-23	SPRING-PR
2-3	MEC-CAM PICKUP	3-2-1	PMO-HOLDER TR	3-24	MEC-ROLLER_PRESSURE
2-3-1	PMO-CAM_PICKUP	3-2-2	PMO-BUSHING_TR(L)	3-25	PMO-GUIDE_INPUT
2-3-2	PMO-SHAFT_PICKUP	3-2-3	SPRING-TR	3-26	RMO-RUBBER_FOOT
2-4	PMO-GEAR FEED	3-2-4	IPR-PLATE_TR	3-27	ELA HOU-FUSER ASS'Y220V
2-5	PMO-CLUTCH FEED	3-3	MEA ETC-HOLDER TR R	3-28	CBF-HARNESS FUSER
2-6	SPRING-CLUTCH	3-2-1	PMO-HOLDER TR	3-29	ELA HOU-MOTOR GND
2-7	MEC-KNOCKUP ASS'Y	3-3-1	PMO-BUSHING_TR(R)	3-30	PMO-BUSHING SHAFT
2-7-1	PMO-PLATE_KNOCKUP	3-2-3	SPRING-TR	3-31	FAN-DC
2-7-2	PMO-CAM-KNOCKUP	3-4	PMO-CAP PLTE GU/DEV R	3-32	PMO-GEAR_83/35
2-7-3	IPR-BAR_KNOCKUP	3-5	PMO-CAP PLTE GU/DEV L	3-33	SPRING-FUSER DR
2-8	SPRING-KNOCK UP	3-6	SPRING-GUIDE DEVE	3-34	PMO-GEAR_FU_IN 47
2-9	MEC-HOLDER PAD	3-7	PMO-ACTUATOR_EXIT	3-35	PMO-GEAR_FU_OUT 47
2-9-1	PMO-HOLDER PAD	3-8	PMO-HOLDER_EXIT	3-36	MEC-ROLLER FEED
2-9-2	PMO-HOLDER_PAD	3-9	PMO-BUSHING_TERMINAL	3-37	PBA MAIN-SENSOR
2-9-3	RPR-PAD FRICTION	3-10	ELA HOU-OPEN SENSOR	3-38	EMC-HOLDER FEED
2-9-4	SPRING-PAD	3-10-1	IPR-BRKT_SENSOR	3-39	CBF HARNESS-MOTOR GND
2-10	PMO-CAP_PAD	3-10-2	CBF-HARNESS COVER	3-40	IRP-BRKT FUSER DRV
2-11	MEC-SIDE PAD(R)	3-11	IPR-GUIDE-TR	3-41	PMO-HINGE FRONT(L)
2-12	MEC-SIDE PAD(L)	3-12	IPR-PLATE-TERMINAL	3-42	PMO-HINGE FRONT(R)
2-13	PMO-GEAR_TRANSFER	3-13	IPR-SAW_PLATE	3-43	PMO-COVER PTL
2-14	PPR-SPACER DR	3-14	PCT-FILM SAW	3-44	ELA HOU-PTL
2-15	MEC-TRANSFER ROLLER	3-15	IPR-EARTH_TRANS	3-45	PCT-COVER SHEET LAMP
2-16	MEC-TERMINAL	3-16	IPR-GROUND_GUIDE	3-46	PCT-INSULATOR SENSOR B'D

5-4 Fuser Assembly



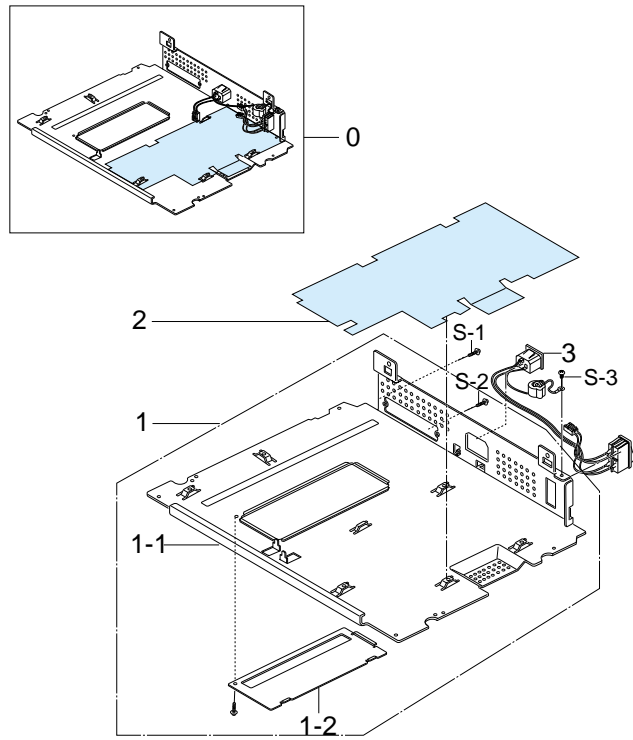
0

NO	DESCRIPTION
0	ELA HOU-FUSER ASS'Y
1	THERMISTOR-NTC
2	THERMOSTAT-150C
3	LAMP-HALOGEN
4	PMO-COVER FUSER
5	PMO-BUSHING H/R, L
6	PMO-BUSHING H/R, R
7	PMO-COVER_THERMOSTAT
8	NPR-ROLLER HEAT
9	IPR-ELECTRODE_PLATE
10	IPR-GROUND_FU
11	PMO-GUIDE CLAW
12	ELECTRODE-WIRE,1
13	ELECTRODE-WIRE,S
14	MEA ETC-SHAFT EXIT
14-1	PMO-SHAFT_EXIT(Z15)
14-2	RMO-RUBBER_EXIT
15	PMO-ROLLER_IDLE EXIT
15-1	IPR-PIN ROLLER EXIT
15-2	
16	SPRING-EXIT
17	PMO-GEAR_EXIT_DRV16
18	PMO-GEAR_EXIT_IDLE
19	PMO-GEAR_FUSER
20	LABEL (R)-CAU_HOT_FU
21	SPRING-EXIT DOWN
22	SPRING-ES, GUIDE CLAW
23	GEAR-EXIT F/DOWN
24	BEARING-EXIT FU L
25	PMO-COVER FUSER F/DOWN
26	PMO-HOLDER_EXIT_DOWN
27	PMO-EXIT_DOWN_L
28	PMO-EXIT_DOWN_S
29	RMO-RUBBER-KICKER
30	MEC-UNIT_EXIT, F_DOWN
S-1	SCREW TAPTITE
S-2	SCREW TAPTITE



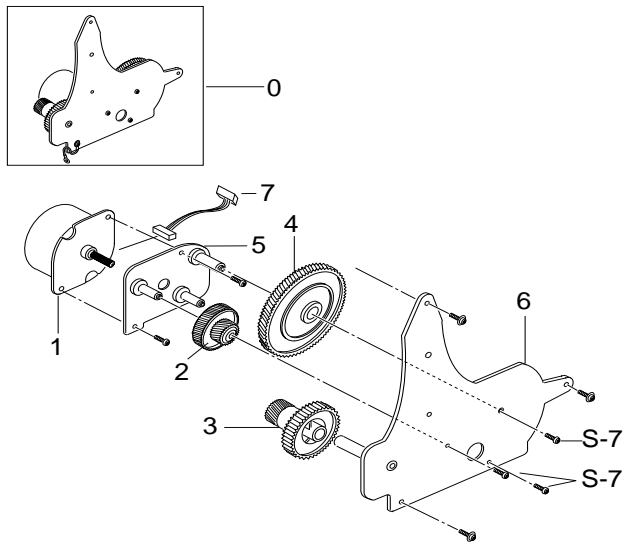
5-5 Shield Engine Unit Assembly

NO	DESCRIPTION
0	ELA HOU-SHIELD ENGINE
1	MEC-SHIELD BRKT CONTROLLER
1-1	IPR-SHIELD ENGINE
1-2	IPR-BRKT CONTROLLER
2	PCT-INSULATOR SMPS
3	CBF HARNESS-INLET ASS'Y
S-1	SCREW-MACHINE
S-2	SCREW-TAPTITE
S-3	SCREW-TAPTITE



5-6 RX Drive Assembly

NO	DESCRIPTION
0	ELA HOU-RX DRIVE
1	MOTOR-STEP
2	PMO-GEAR_71/28
3	PMO-GEAR_73/22
4	PMO-GEAR_132/19
5	IPR-BRKT_MOTOR
6	IPR-BRKT_GEAR
7	CBF-HARNESS_MOTOR
S-7	SCREW-MACHINE



5-7 Plate-Upper Unit Assembly

NO	DESCRIPTION
0	MEC-PLATE UPPER
1	IPR-UPPER-PLATE
2	IPR-PLATE SPRING DEV
3	MEA ETC-ROLLER PICKUP
3-1	PMO-HOUSING_PICKUP
3-2	RMO-ROLLER_PICKUP
3-3	PMO-IDLE_PICKUP
4	MEA ETC-IDLE FEED
4-1	PMO-HOLDER_PICKUP
4-2	SPRING-FEED
4-3	PMO-HOLDER_IDLE,FEED
5	ICT-ROLLER_IDLE,FEED
6	CABLE CLAMP
S-1	SCREW TAPTITE
S-9	SCREW TAPTITE

