

5. Exploded Views and Parts List

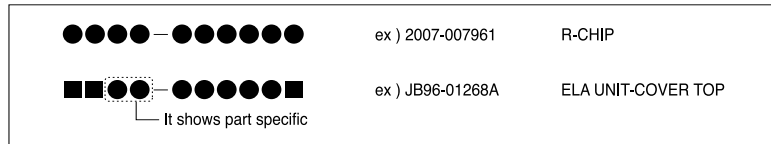
- 5.1 Main Assembly..... page(5-2)
- 5.2 Front Cover Assembly..... page(5-4)
- 5.3 Shield Engine Unit Assembly..... page(5-5)
- 5.4 Frame Lower Assembly..... page(5-6)
- 5.5 Engine Assembly..... page(5-8)
- 5.6 Fuser Assembly..... page(5-10)
- 5.7 Plate-Upper Unit Assembly..... page(5-12)

- Deal drawings and service parts are declared for the items with higher rate of inferiority and replaceable in the level of service description only.
- If inferiority occurs, you can replace the parts by the unit declared in deal drawings and service items.

Way to observe Part Code & Description

Part code and Description is quoted and controlled by determined standard. Refer to this determined standard, it will help with ordering Part.

- There are two kinds of Part code inscription type.



(● : figure, ■ : character (alphabet))

Type 1 : Controlled by Company : It can be commonly used for all kinds of product SEC produce. Mostly, electronics Parts.

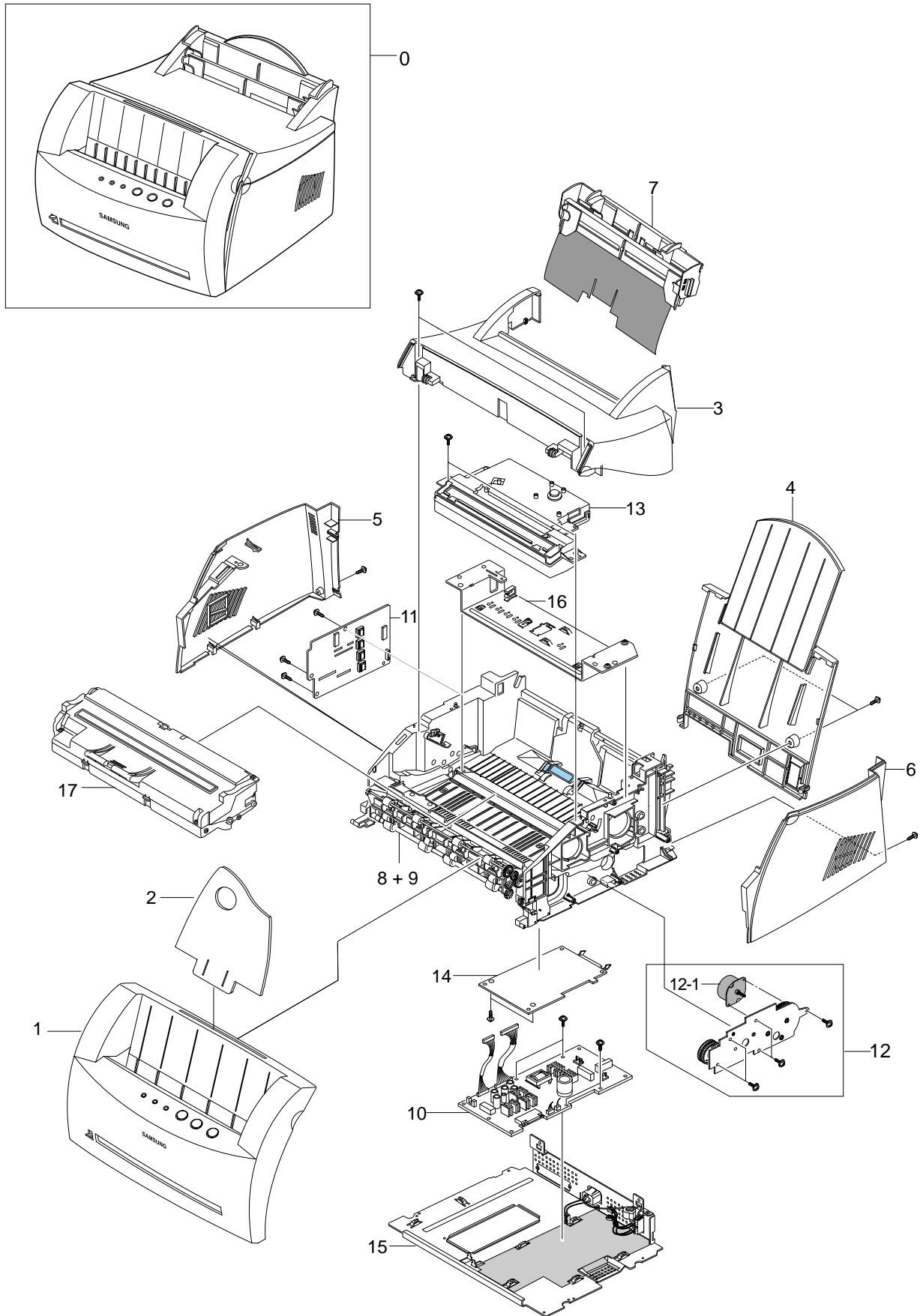
Type 2 : Controlled by Division : It is used or one produce. Mostly, Mostly, mechanical Parts.

- **A/S privately used part** : It is only used for A/S .
- **Ass'y part** : Assembled by more than 2 Parts. If necessary part is not A/S Part, Ass'y part including necessary par can be used. It is shown in the diagram and drawing of SVC manual.
- Ass'y part and A/S privately used Part is distinguished by part Code and Description. The are inscription type 2. It is recognized by Part character and front side of description.

DIVISION	PART CODE	DESCRIPTION
A/S Private	**81_***** (JB81-00039A)	AS-***** (AS-USE)
ASS'Y Part	**75_***** (JB75-00068A)	MEC-***** (MEC-CHUTE)
ASS'Y Part	**92_***** (JB92-01131A)	PBA ***** (PBA MAIN-CONTROLLER)
ASS'Y Part	**97_***** (JB97-01089A)	MEA ***** (MEA UNIT-PULLEY IDLE)

For the latest exact information, see ITSELF System. (<http://itself.sec.samsung.co.kr>)

5-1 Front Cover Assembly

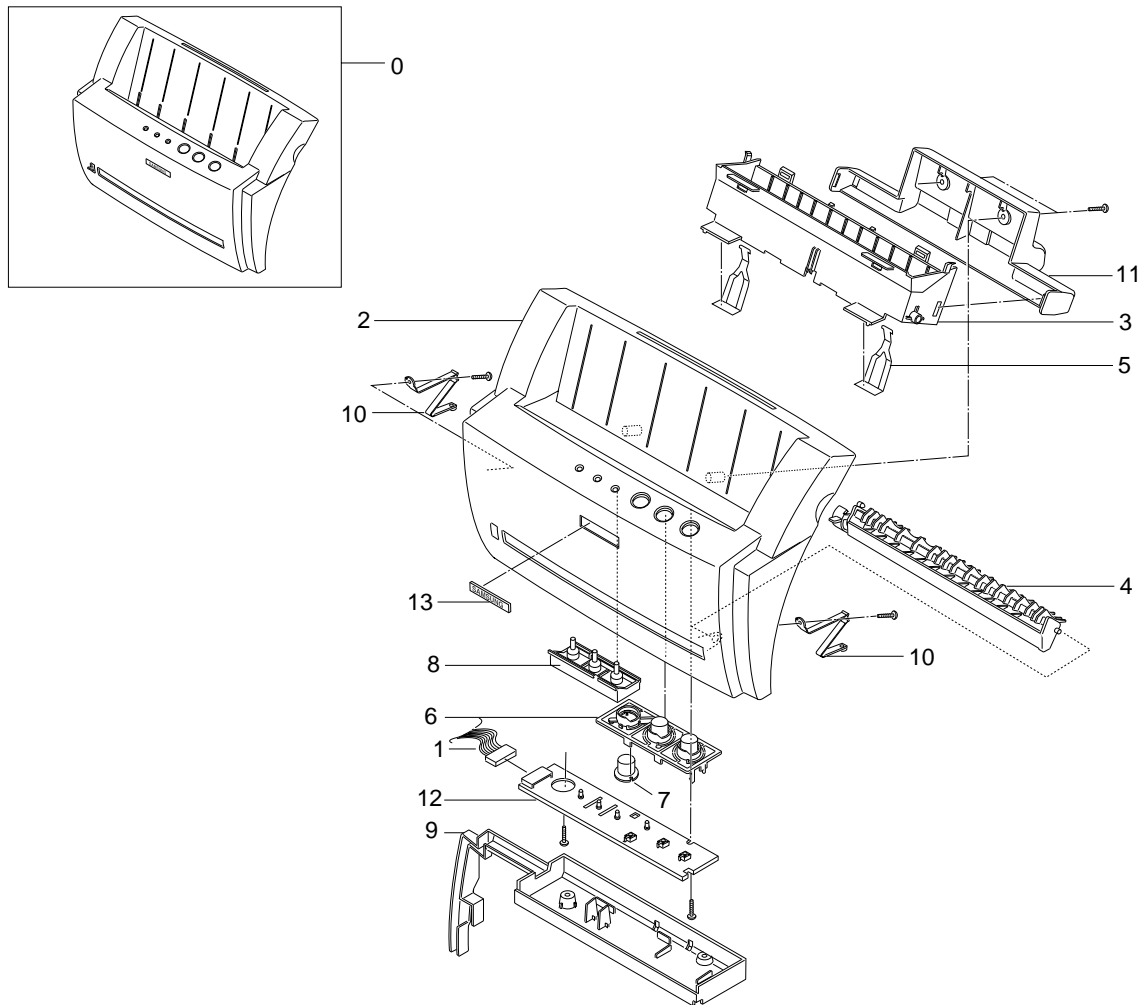


Main Assembly Parts List

O : Service available X : Service not available

No.	Description	SEC.Code	Q'ty	SA	Remark
1	ELA UNIT-CVR FRONT ,1430	*	1	X	
2	PMO-STACKER RX	JC72-00302A	1	O	
3	PMO-COVER TOP	JC72-00522A	1	O	
4	PMO-COVER REAR	JC75-00094A	1	O	
5	PMO-COVER SIDE(L)	JC72-00523A	1	O	
6	PMO-COVER_SIDE R 14	JC72-00955A	1	O	
7	MEC-TRAY(P)	JC75-00099A	1	O	
8	ELA UNIT-FRAME LOWER,1430	JC96-02544A	1	O	ML-1430/XAA,/XAC
	ELA UNIT-FRAME LOWER,1430	JC96-02544B	1	O	ML-1430/XIL, /XEV
9	MEA ETC-ENGINE,1430	*	1	X	
10	ELA UNIT-SMPS_V1	JC96-02559A	1	O	ML-1430/XAA,/XAC
	ELA UNIT-SMPS_V2_CHANA	JC96-02234B	1	O	ML-1430/XIL, /XEV
11	SMPS-HVPS	JC44-00024A	1	O	
12	ELA UNIT-RX DRIVE	JC96-02125A	1	O	
12-1	MOTOR-STE 7.5	JC31-00005B	1	O	
13	UNIT-LSU	JC59-00017A	1	O	
14	PBA MAIN-CON 14	JC92-01413A	1	O	ML-1430XAA,XAC,/XEV
	PBA MAIN-CON 14	JC92-01413B	1	O	ML-1430/XIL
15	ELA HOU-SHIELD_ENGINE	*	1	X	
16	MEC-PLATE UPPER	JC75-00111A	1	O	
17	MEA UNIT-TONER CARTRIDGE	*	1	X	

5-2 Front Cover Assembly

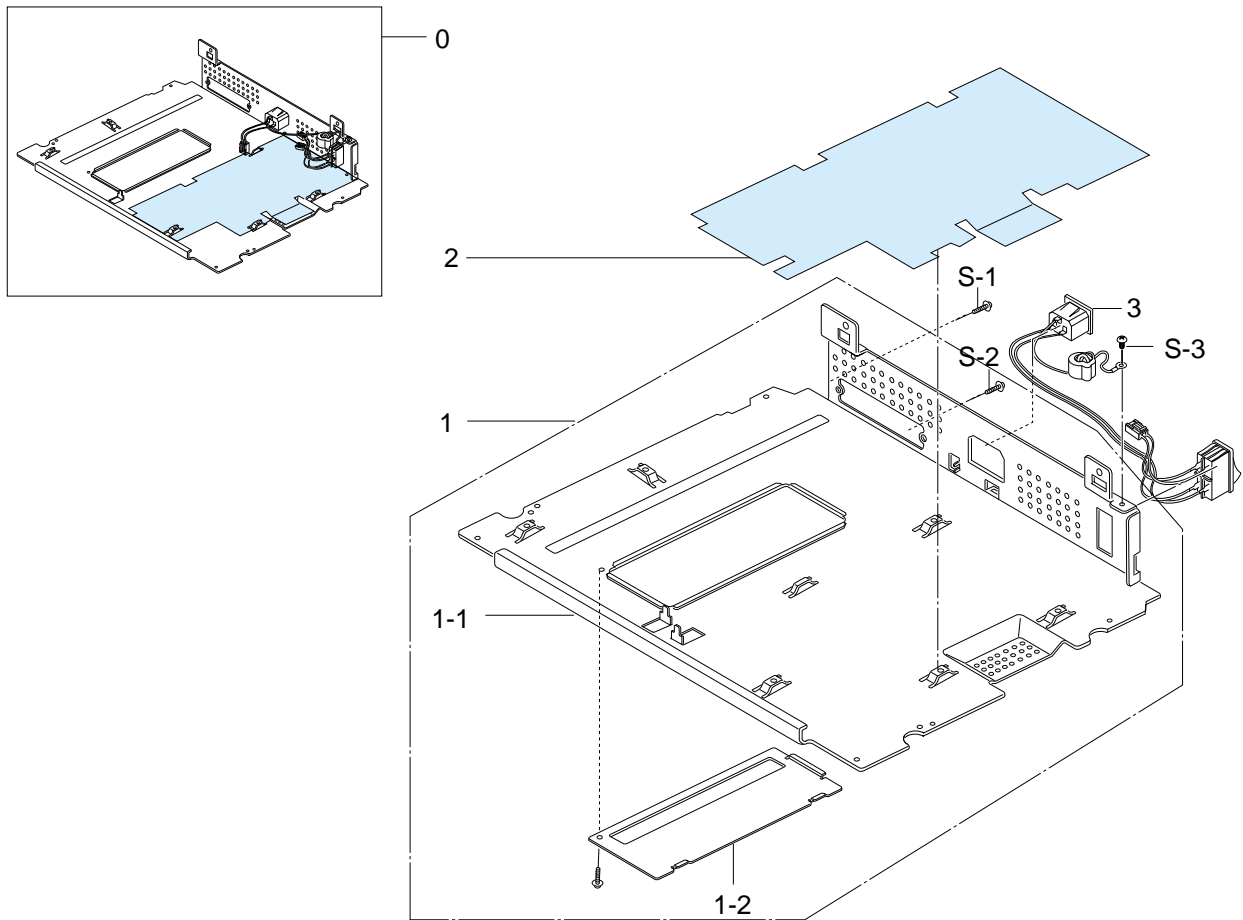


Front Cover Assembly Parts List

○ : Service available X : Service not available

No.	Description	SEC.Code	Q'ty	SA	Remark
0	ELA UNIT-CVR FRONT,1430	*	1	X	
1	CBF HARNESS-FRONT PANEL	JC39-00112C	1	○	
2	PMO-COVER FRONT	JC72-00677W	1	○	ML-1430/XAA,/XAC
	PMO-COVER FRONT	JC72-00677Y	1	○	ML-1430/XIL
	COVER-M-FRONT(XEV)	JC63-00133A	1	○	ML-1430/XEV
3	PMO-GUIDE STACKER	JC72-00511A	1	○	
4	PMO-DOOR FACE UP	*	1	X	
5	PPR-SHEET PAPER GUIDE	*	2	X	
6	PMO-KEY A	*	1	X	
7	PMO-KEY B	*	1	X	
8	PMO-LENS SED	*	1	X	
9	PMO-COVER PCB	JC72-00678A	1	○	
10	PMO-STOPPER	JC72-00519A	1	○	
11	PMO-BRKT PUSH DEVE	*	1	X	
12	PBA SUB-LED PANEL	JC92-01280A	1	○	
13	NPR-BADGE	*	1	X	

5-3 Shield Engine Unit Assembly

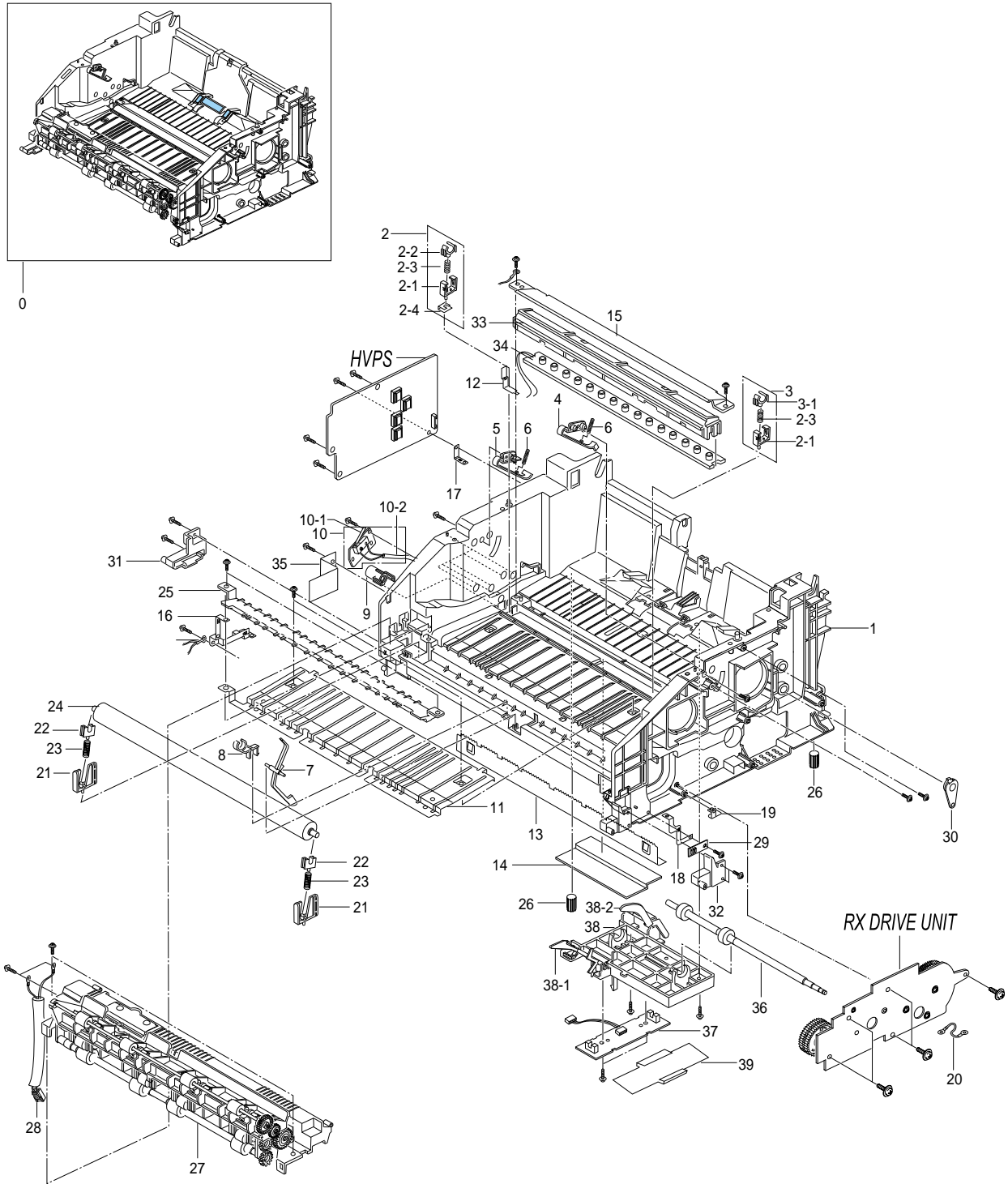


Shield Engine Unit Assembly Parts List

O : Service available X : Service not available

No.	Description	SEC.Code	Q'ty	SA	Remark
0	ELA HOU-SHIELD_ENGINE 1210	*	1	X	
1	MEC-SHIELD BRKT CONTROL	JC75-00105C	1	O	
1-1	IPR-SHIELD ENGINE,USB	JC70-00130C	1	O	
1-2	IPR-BRKT CONTROLLER	JC70-00131A	1	O	
2	PCT-INSULATOR_SMPS1210	JC72-00828A	1	O	
3	CBF HARNESS-INLET-SWITCH	JC39-00134A	1	O	

5-4 Frame Lower Assembly

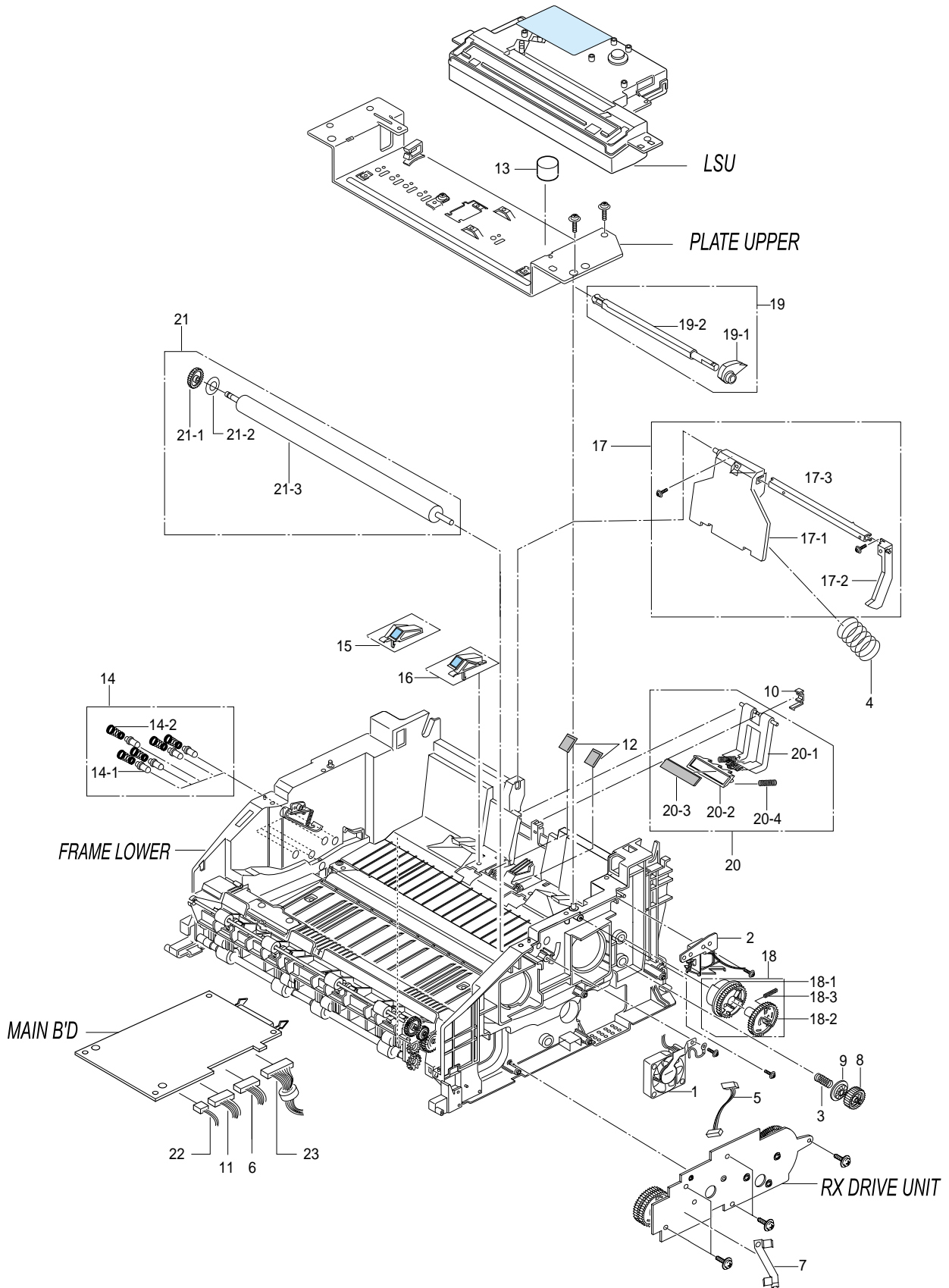


Frame Lower Assembly Parts List

O : Service available X : Service not available

No.	Description	SEC.Code	Q'ty	SA	Remark
0	ELA UNIT-FRAME LOWER,KOR 1430	JC96-02544A	1	O	ML-1430/XAA,/XAC
	ELA UNIT-FRAME LOWER,KOR 1430	JC96-02544B	1	O	ML-1430/XIL, /XEV
1	PMO-FRAME LOWER	JC72-00533B	1	O	
2	MEA UNIT-HOLDER-TR,L CKD	*	1	X	
2-1	PMO-HOLDER-TR	*	1	X	
2-2	PMO-BUSHING_TR(L)	JC72-00102A	1	O	
2-3	SPRING ETC-TR,L 1210	JC61-00458A	1	O	
2-4	IPR-PLATE_TR	*	1	X	
3	MEA UNIT-HOLDER-TR,R CKD	*	1	X	
3-1	PMO-HOLDER-TR	*	1	X	
3-2	PMO-BUSHING_TR(R)	JC72-00101A	1	O	
3-3	SPRING ETC-TR(300)	JC61-00024A	1	O	
4	PMO-CAP PLTE G/DEV R	*	1	X	
5	PMO-CAP PLTE G/DEV L	*	1	X	
6	SPRING ETC-GUIDE DEVE	*	2	X	
7	PMO-ACTUATOR_EXIT,14	JC72-00957A	1	O	
8	PMO-HOLDER EXIT,14	JC72-00956A	2	O	
9	PMO-BUSHING_TERMINAL	*	1	X	
10	ELA HOU-OPEN SENSOR	JC96-01584A	1	O	
10-1	IPR-BRKT-SENSOR	*	1	X	
10-2	CBF HARNESS-COVER	*	1	X	
11	IPR-GUIDE-TR	*	1	X	
12	IPR-PLATE-TERMINAL	*	1	X	
13	IPR-SAW_PLATE	*	1	X	
14	PCT-FILM SAW	*	1	X	
15	IPR-EARTH TRANS	*	1	X	
16	IPR-GROUND_GUIDE	*	1	X	
17	IPR-GROUND_HVPS	*	1	X	
18	IPR-GROUND_FUSER	*	1	X	
19	IPR-GROUND DRIVE	*	1	X	
20	CBF HARNESS-OPE GND	*	1	X	
21	PMO-HOLDER PR	*	2	X	
22	BEARING-PRESSURE R	*	2	X	
23	SPRING ETC-PR_1430	*	2	X	
24	MEC-ROLLER_PR,1430	JC75-00159A	1	O	
25	PMO-GUIDE_INPUT 14	*	1	X	
26	RMO-RUBBER FOOT	*	2	X	
27	AS-FUSER 110V	JC81-00808A	1	O	▲ 110V
	AS-FUSER 220V	JC81-00809A	1	O	▲ 220V
28	CBF HARNESS-FUSER(110V)	*	1	X	
29	ELA HOU-MOTOR GND,Z	*	1	X	
30	PMO-BUSHING SHAFT	JG72-40849A	1	O	
31	PMO-HINGE FRONT(L)	*	1	X	
32	PMO-HINGE FRONT(R)	*	1	X	
33	PMO-COVER PTL	JC72-00534A	1	O	
34	ELA HOU-PTL ASS'Y	JC96-02037A	1	O	
35	PCT-COVER SHEET LAMP	*	1	X	
36	MEC-ROLLER FEED	JC75-00054A	1	O	
37	PBA MAIN-SENSOR	JC92-01197A	1	O	
38	MEC-HOLDER FEED	JC75-00055A	1	O	
38-1	PMO-ACTUATOR_FEED	JC72-00119A	1	O	
38-2	PMO-ACTUATOR_EMPTY	*	1	X	
39	PCT-INSULATOR SENSOR BD	*	1	X	

5-5 Engine Assembly

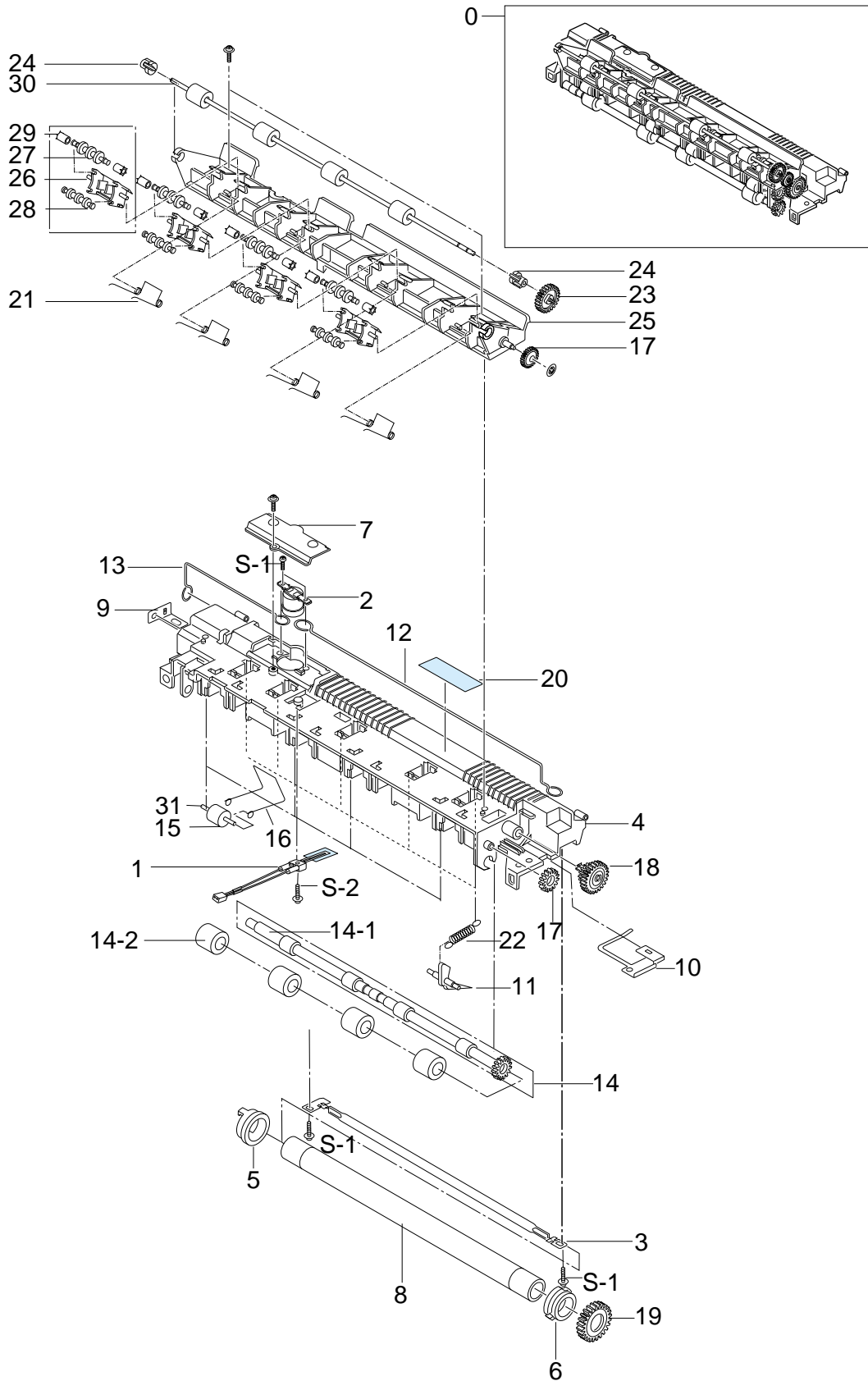


Engine Assembly Parts List

O : Service available X : Service not available

No.	Description	SEC.Code	Q'ty	SA	Remark
0	MEA ETC-ENGINE,1430	*	1	X	
1	FAN-DC	3103-001085	1	O	
2	SOLENOID-SWALLOW	JC33-00002B	1	O	
3	SPRING ETC-CLUTCH	*	1	X	
4	SPRING ETC-KNOCK UP	*	1	X	
5	CBF HARNESS-MOTOR	*	1	X	
6	CBF HARNESS-MAIN_HVPS	*	1	X	
7	IPR-CLAMP EMI	*	1	X	
8	PMO-GEAR_FEED	*	1	X	
9	PMO-CLUTCH_FEED	*	1	X	
10	PMO-CAP_PAD	JC72-00124A	1	O	
11	CBF HARNESS-PANEL MAIN	*	1	X	
12	RPR-PAD_DAMPER	*	2	X	
14	MEC-TERMINAL	JC75-00049A	5	O	
14-1	IPR-TERMINAL	JC70-00050A	1	O	
14-2	SPRING ETC-HV APOLLO	*	1	X	
15	MEC-SIDE PAD(L)	*	1	X	
16	MEC-SIDE PAD(R)	JC75-00051B	1	O	
17	MEC-KNOCK UP ASS'Y	JC75-00053A	1	O	
17-1	PMO-PLATE-KNOCK UP	*	1	X	
17-2	PMO-CAM-KNOCK UP	*	1	X	
17-3	IPR-BAR_KNOCK UP	*	1	X	
18	MEC-GEAR PICK UP	JC75-00056A	1	O	
18-1	PMO-GEAR_PICKUP,1	*	1	X	
18-2	PMO-GEAR_PICKUP,2	*	1	X	
18-3	SPRING ETC-PICK UP GEAR	*	1	X	
19	MEC-CAM PICK UP	JC75-00072A	1	O	
19-1	PMO-CAM_PICKUP	*	1	X	
19-2	PMO-SHAFT_PICKUP	*	1	X	
20	MEA UNIT-HOLDER PAD 1210	JC97-01486A	1	O	
20-1	PMO-HOLDER PAD LARGE	*	1	X	
20-2	PMO-HOLDER_PAD,S 6200	*	1	X	
20-3	RPR-PAD FRICTION	*	1	X	
20-4	SPRING ETC-PAD	*	2	X	
21	MEA UNIT-TRANSFER ROLLER 1430	*	1	X	
21-1	PMO-GEAR_TRANSFER	*	1	X	
21-2	PPR-SPACER_TR	*	2	X	
21-3	MEC-ROLLER_TRANSFER 1430	JC75-00157A	1	O	
22	CBF HARNESS-THERMISTOR	*	1	X	
23	CBF HARNESS-LSU	*	1	X	

5-6 Fuser Assembly



Fuser Assembly Parts List

O : Service available X : Service not available

No.	Description	SEC.Code	Q'ty	SA	Remark
0	AS-FUSER ASS'Y 110V	JC81-00808A	1	O	▲ 110V
	AS-FUSER ASS'Y 220V	JC81-00809A	1	O	▲ 220V
1	THERMISTOR-NTC	1404-001188	1	O	
2	THERMOSTAT	4712-000001	1	O	
3	LAMP-HALOGEN	4713-001155	1	O	▲ 100V
	LAMP-HALOGEN	4713-001156	1	O	▲ 220V
4	PMO-COVER FUSER	*	1	X	
5	PMO-BUSHING H/R L	*	1	X	
6	PMO-BUSHING H/R R	*	1	X	
7	PMO-COVER_THERMOSTAT	*	1	X	
8	NPR-ROLLER HEAT,411	JC71-00012B	1	O	
9	IPR-ELECTRODE_PLATE	*	1	X	
10	IPR-GROUND_FU	*	1	X	
11	PMO-GUIDE CLAW	*	5	X	
12	IPR-ELECTRODE WIRE1	*	1	X	
13	IPR-ELECTRODE WIRE,S	*	1	X	
14	MEA ETC-SHAFT EXIT	*	1	X	
14-1	PMO-SHAFT_EXIT(Z15)	*	1	X	
14-2	RMO-RUBBER_EXIT	*	4	X	
15	PMO-ROLLER_IDLE EXIT	*	4	X	
16	SPRING ETC-EXIT	*	4	X	
17	PMO-GEAR_EXIT_DRV16	*	2	X	
18	PMO-GEAR_EXIT_IDLE	*	1	X	
19	GEAR-FUSER 1210	JC66-00037B	1	O	
20	LABEL(P)-CAUTION, HOT_FUSER	*	1	X	
21	SPRING ETC-EXIT DOWN	*	4	X	
22	SPRING ETC-CLAW	*	5	X	
23	GEAR-EXIT F/DOWN	*	1	X	
24	BEARING-EXIT FU L	*	1	X	
25	PMO-COVER FUSER F/DOWN	*	1	X	
26	PMO-HOLDER_EXIT_DOWN	*	4	X	
27	PMO-EXIT_DOWN,L	*	4	X	
28	PMO-EXIT_DOWN,S	*	4	X	
29	RMO-RUBBER-KICKER	*	8	X	
30	MEC-EXIT,F/DOWN	*	1	X	
31	IPR-PIN ROLLER EXIT	*	4	X	

5-6 Plate-Upper Unit Assembly

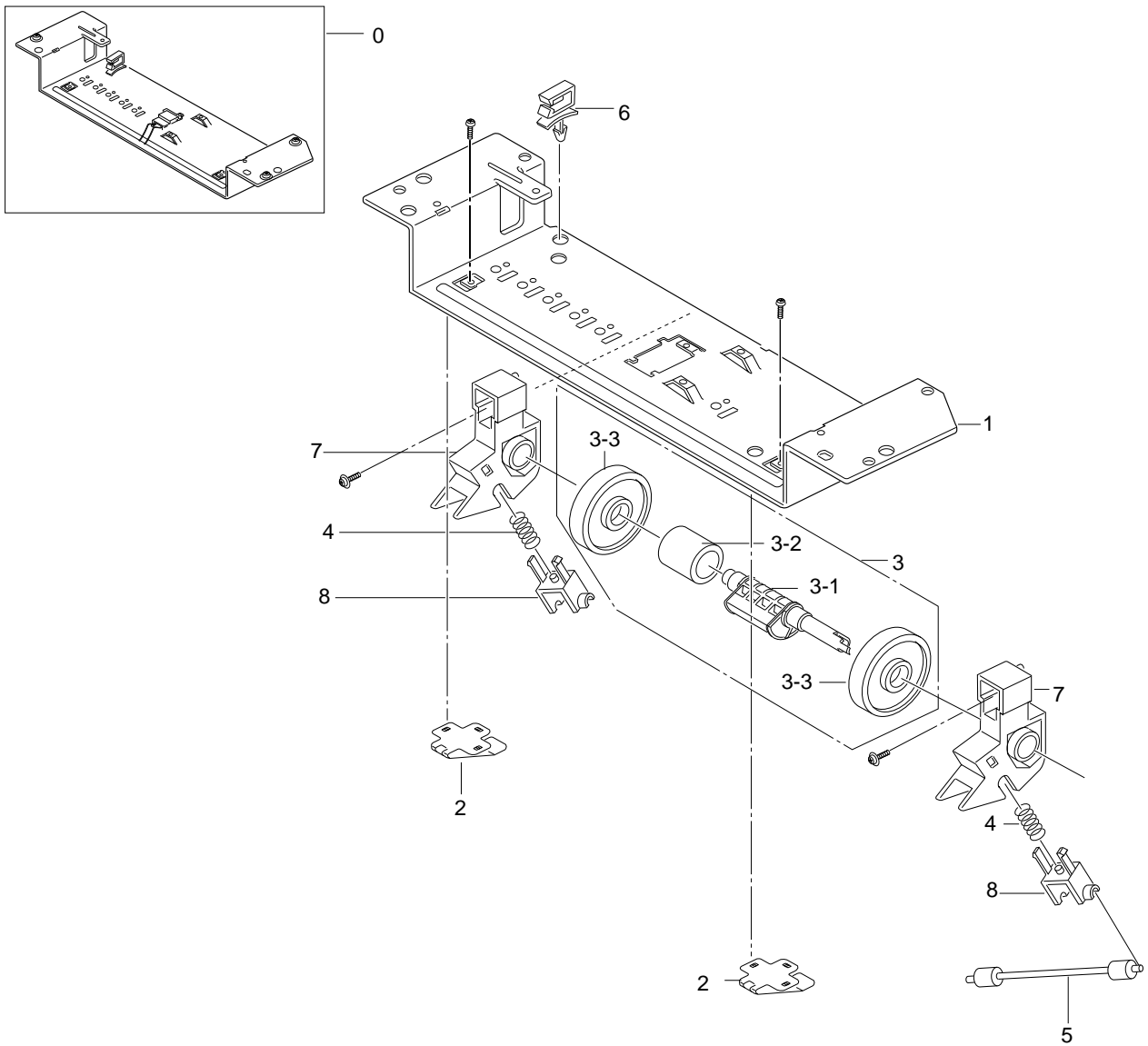


Plate-Upper Unit Assembly Parts List

O : Service available X : Service not available

No.	Description	SEC.Code	Q'ty	SA	Remark
0	MEC-PLATE UPPER	JC75-00111A	1	O	
1	IPR-UPPER-PLATE	*	1	X	
2	IPR-PLATE SPRING DEV	*	2	X	
3	MEA ETC-ROLLER PICK UP	*	1	X	
3-1	PMO-HOUSING_PICKUP	JC72-00109A	1	O	
3-2	PMO-IDLE_PICKUP	*	2	X	
3-3	RMO-ROLLER_PICKUP	*	1	X	
4	SPRING ETC-FEED	*	2	X	
5	ICT-ROLLER IDEL FEED	*	1	X	
6	CABLE CLAMP	*	1	X	
7	PMO-HOLDER_PICKUP	*	2	X	
8	PMO-HOLDER_IDLE,FEED	*	2	X	

6. Block Diagram

