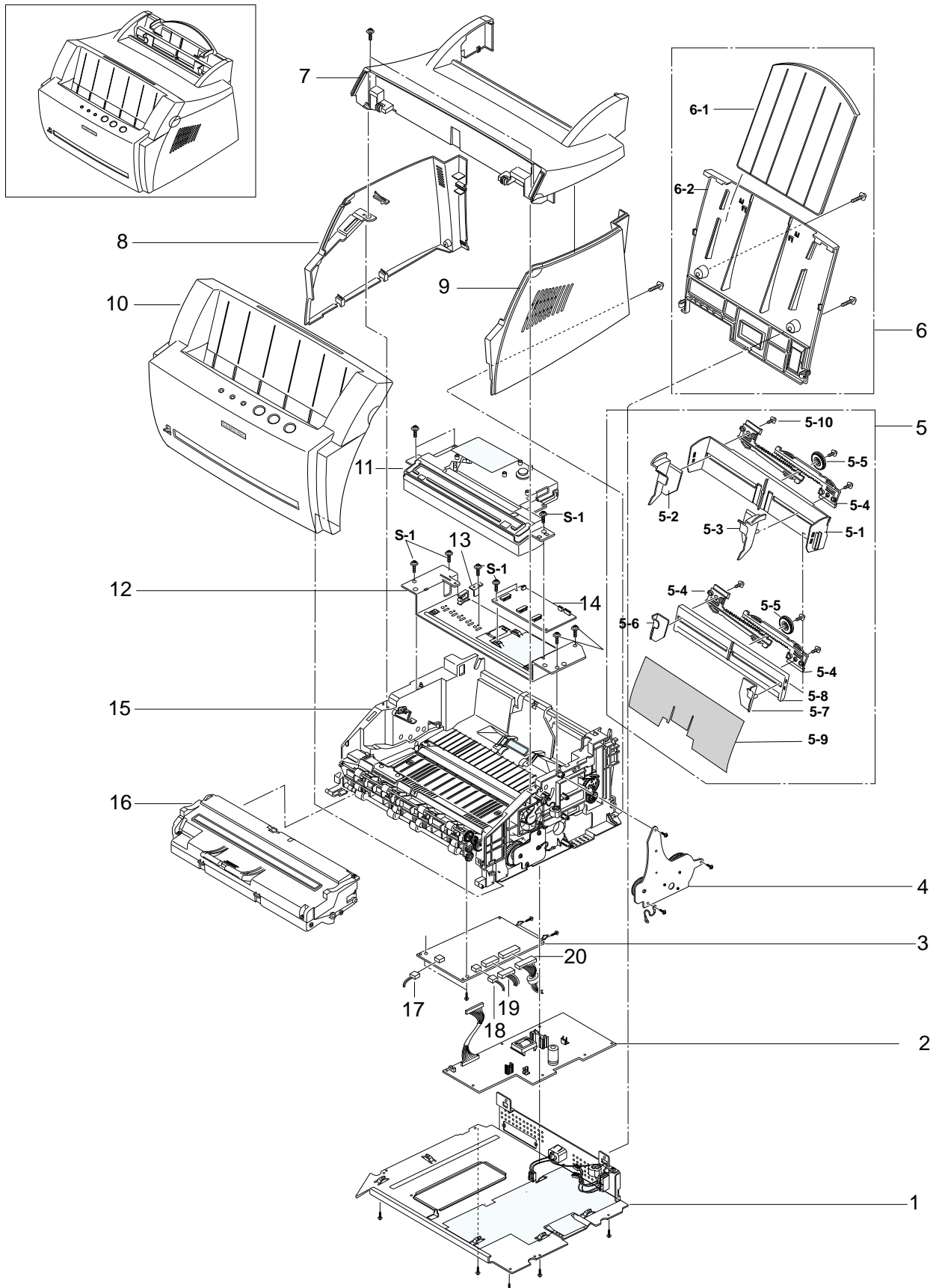


5. Exploded Views and Parts Lists



- 5-1 Main Exploded View**
- 5-2 Front Exploded View**
- 5-3 Engine/Frame Lower Exploded View**
- 5-4 Fuser Exploded View**
- 5-5 Shield Engine Unit Exploded View**
- 5-6 RX Drive Exploded View**
- 5-7 Plate-Upper Unit Exploded View**

5-1 Main Exploded View



Main Parts Lists

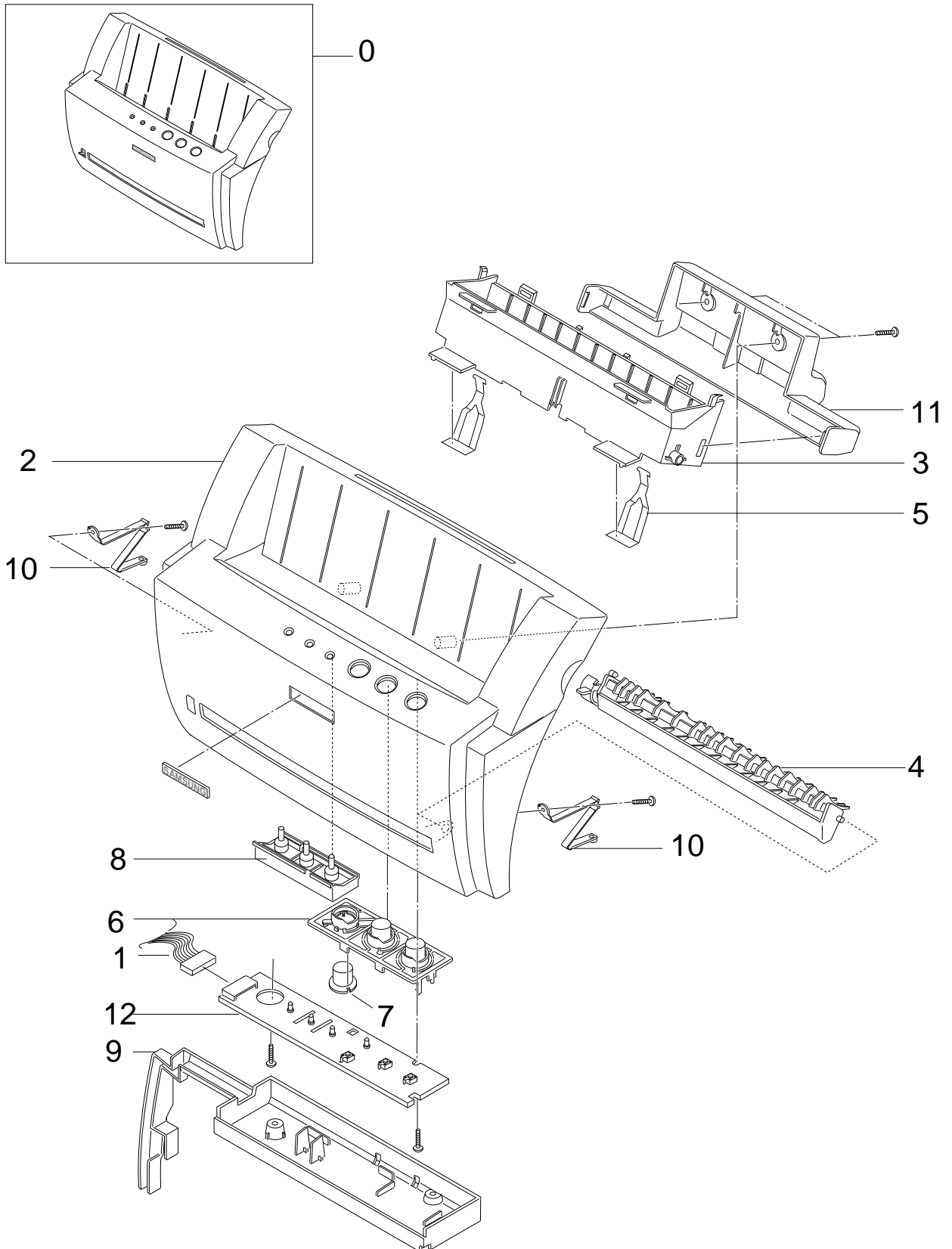
SA. : Service Available

Location No.	Description	SEC. Code	Q'ty	SA	Remark
1	ELA-HOU-SHIELD ENGINE	*	1	X	
2	 SMPS-4500 V1	JC44-00015A	1	O	110V
2	SMPS-4500 V2	JC44-00016A	1	O	220V
3	PBA MAIN CTRL-GDI	JC92-01288A	1	O	
4	ELA HOU-RX DRIVE	JC96-01755A	1	O	
5	MEC-TRAY(P)	JC75-00099A	1	O	
5-1	PMO-TRAY_AUTO	*	1	X	
5-2	PMO-ADJUST_AUTO, L	*	1	X	
5-3	PMO-ADJUST_AUTO, R	*	1	X	
5-4	PMO-GEAR_ADJUST RACK	*	4	X	
5-5	PMO-GEAR_PINION	*	2	X	
5-6	PMO-ADJUST MANUAL, L	*	1	X	
5-7	PMO-ADJUST MANUAL, R	*	1	X	
5-8	TRAY MANUAL, PAPER	*	1	X	
5-9	FILM MANUAL	*	1	X	
5-10	TAPTITE-SCREW	*	6	X	
6	MEC-COVER REAR	JC75-00094A	1	O	
6-1	PMO-TRAY_LARGE	*	1	X	
6-2	PMO-COVER REAR	*	1	X	
7	PMO-COVER TOP	JC72-00522A	1	O	
8	PMO-COVER SIDE(L)	JC72-00523A	1	O	
9	PMO-COVER SIDE(R)	JC72-00524A	1	O	
10	ELA HOU-COVER FRONT	JC96-01758M	1	O	
11	UNIT-LSU	JC59-00006A	1	O	
12	MEC-PLATE UPPER	JC75-00111A	1	O	
13	IPR-PLATE_CHANNEL	JC70-00058A	1	O	
14	PBA SUB-MOTOR	JC92-01273A	1	O	
15	 ELA HOU-FRAME LOWER	JC96-01756A	1	O	110V
15	ELA HOU-FRAME LOWER	JC96-01757B	1	O	220V
16	ELA UNIT-DEVE SET	*	1	X	
17	CBF HARNESS-MAIN PANEL	JC39-00112B	1	O	
18	CBF HARNESS-THERMISTOR	JC39-00045A	1	O	
19	CBF HARNESS-MAIN_HVPS	JC39-00109A	1	O	
20	CBF HARNESS-LSU	JC39-00043A	1	O	

Indicate part is for electrical safety components

O: Service available X: Service not available

5-2 Front Exploded View



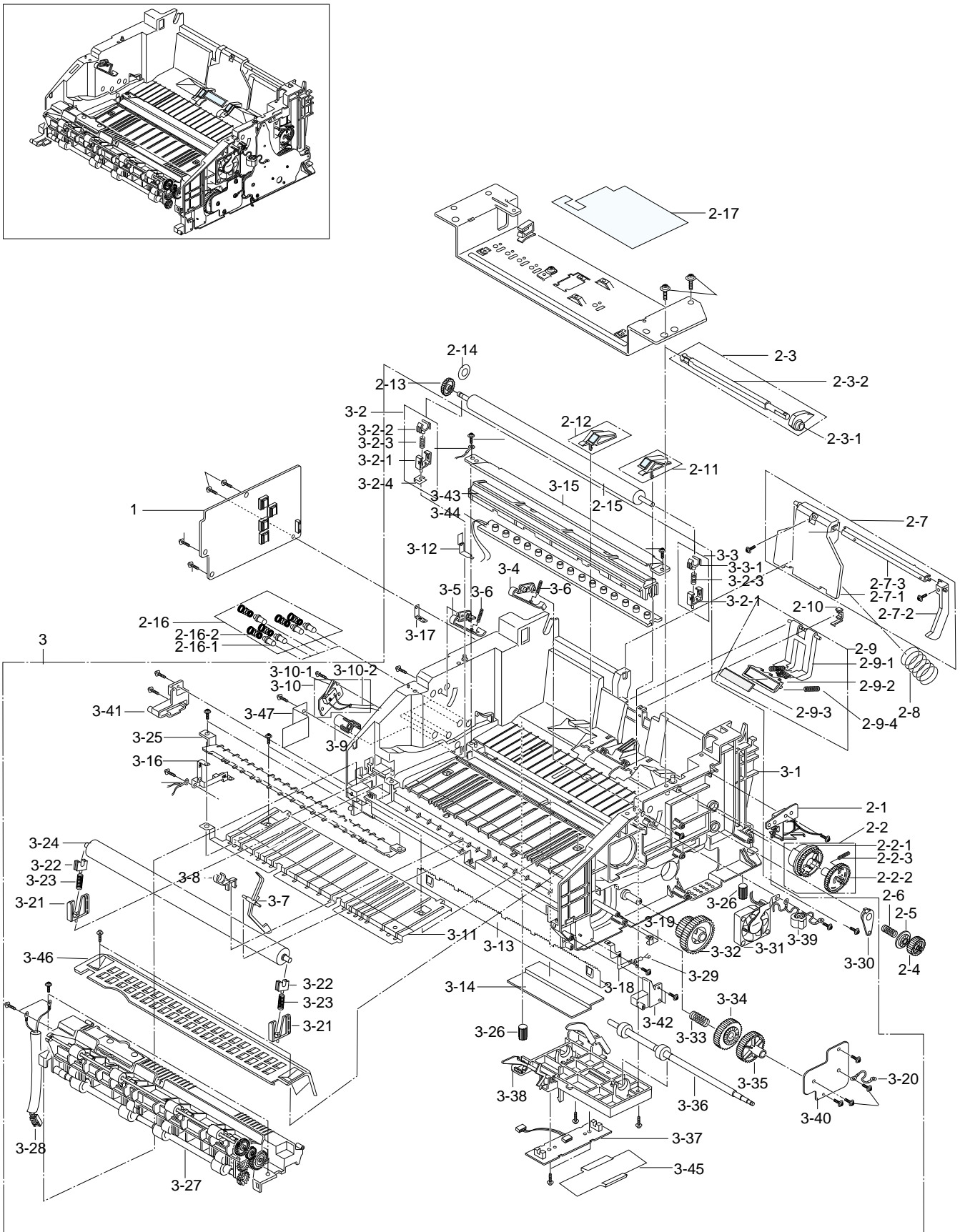
Front Parts Lists

SA. : Service Available

Location No.	Description	SEC. Code	Q'ty	SA	Remark
0	ELA HOU-COVER FRONT	JC96-01758M	1	O	
1	CBF HARNESS-PANEL MAIN	*	1	X	
2	PMO-COVER FRONT	*	1	X	
3	PMO-GUIDE STACKER	*	1	X	
4	PMO-DOOR FACE UP	*	1	X	
5	PPR-SHEET PAPER GUIDE	*	2	X	
6	PMO-KEY A	*	1	X	
7	PMO-KEY B	*	1	X	
8	PMO-LENS SED	*	1	X	
9	PMO-COVER PCB	*	1	X	
10	PMO-STOPPER	*	1	X	
11	PMO-BRKT PUSH DEVE	*	1	X	
12	PBA SUB DISP-PANEL	*	1	X	

O: Service available X: Service not available

5-3 Engine/Frame Lower Exploded View



Engine/Frame Lower Parts Lists


SA. : Service Available

Location No.	Description	SEC. Code	Q'ty	SA	Remark
1	SMPS-HVPS	JC44-00017A	1	O	
2	ELA HOU-ENGINE ASS'Y	*	1	X	
2-1	SOLENOID-(APOLLO)	JC33-00002A	1	O	
2-2	MEC-GEAR PICKUP	JC75-00056A	1	O	
2-2-1	PMO-GEAR_PICKUP,1	*	1	X	
2-2-2	PMO-GEAR_PICKUP,2	*	1	X	
2-2-3	SPRING-PICKUP,GEAR	*	1	X	
2-3	MEC-CAM PICKUP	JC75-00072A	1	O	
2-3-1	PMO-CAM_PICKUP	*	1	X	
2-3-2	PMO-SHAFT_PICKUP	*	1	X	
2-4	PMO-GEAR_FEED	JC72-00115A	1	O	
2-5	PMO-CLUTCH_FEED	JC72-00116A	1	O	
2-6	SPRING-CLUTCH	JC61-00012A	1	O	
2-7	MEC-KNOCKUP ASS'Y	JC75-00053A	1	O	
2-7-1	PMO-PLATE_KNOCKUP	*	1	X	
2-7-2	PMO-CAM-KNOCKUP	*	1	X	
2-7-3	IPR-BAR_KNOCKUP	*	1	X	
S-6	SCREW-TAPTITE	*	2	X	
2-8	SPRING-KNOCK UP	JC61-00023A	1	O	
2-9	MEC-HOLDER PAD	JC75-00093A	1	O	
2-9-1	PMO-HOLDER_PAD	JC72-00535A	1	O	
2-9-2	PMO-HOLDER_PAD	*	1	X	
2-9-3	RPR-PAD FRICTION	*	1	X	
2-9-4	SPRING-PAD	*	2	X	
2-10	PMO-CAP_PAD	JC72-00124A	2	O	
2-11	MEC-SIDE PAD(R)	JC75-00051B	1	O	
2-12	MEC-SIDE PAD(L)	JC75-00050B	1	O	
2-13	PMO-GEAR_TRANSFER	JC72-00179A	1	O	
2-14	PPR-SPACER DR	*	1	X	
2-15	MEC-TRANSFER ROLLER	JC75-00035A	1	O	
2-16	MEC-TERMINAL	JC75-00049A	5	O	
2-16-1	TERMINAL	*	1	X	
2-16-2	SPRING-HV APOLLO	*	1	X	
2-17	PCT-INSULATOR ENG BD	*	1	X	
S-1	SCREW-TAPTITE	*	9	X	

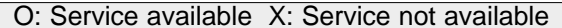
O: Service available X: Service not available

Engine/Frame Lower Parts Lists

SA. : Service Available

Location No.	Description	SEC. Code	Q'ty	SA	Remark
3	 ELA HOU-FRAME LOWER	*	1	O	110V
3	ELA HOU-FRAME LOWER	JC96-01757B	1	O	220V
3-1	PMO-FRAME LOWER	*	1	X	
3-2	MEA ETC-HOLDER TR L	*	1	X	
3-2-1	PMO-HOLDER TR	*	1	X	
3-2-2	PMO-BUSHING_TR(L)	*	1	X	
3-2-3	SPRING-TR	*	1	X	
3-2-4	IPR-PLATE_TR	*	1	X	
3-3	MEA ETC-HOLDER TR R	*	1	X	
3-2-1	PMO-HOLDER TR	*	1	X	
3-3-1	PMO-BUSHING_TR(R)	*	1	X	
3-2-3	SPRING-TR	*	1	X	
3-4	PMO-CAP PLTE GU/DEV R	*	1	X	
3-5	PMO-CAP PLTE GU/DEV L	*	1	X	
3-6	SPRING-GUIDE DEVE	*	2	X	
3-7	PMO-ACTUATOR_EXIT	*	1	X	
3-8	PMO-HOLDER_EXIT	*	1	X	
3-9	PMO-BUSHING_TERMINAL	*	1	X	
3-10	ELA HOU-OPEN SENSOR	*	1	X	
3-10-1	IPR-BRKT_SENSOR	*	1	X	
3-10-2	CBF-HARNESS COVER	*	1	X	
S-10	SCREW-TAPTITE	*	1	X	
3-11	IPR-GUIDE-TR	*	1	X	
3-12	IPR-PLATE-TERMINAL	*	1	X	
3-13	IPR-SAW_PLATE	*	1	X	
3-14	PCT-FILM SAW	*	1	X	
3-15	IPR-EARTH_TRANS	*	1	X	
3-16	IPR-GROUND_GUIDE	*	1	X	
3-17	IPR-GROUND_HVPS	*	1	X	
3-18	IPR-GROUND_FUSER	*	1	X	
3-19	IPR-GROUND_DRIVE	*	1	X	
3-20	CBF HARNESS-OPE GND	*	2	X	
3-21	PMO-HOLDER_PR	*	1	X	
3-22	BEARING-PRESSUE R	*	1	X	
3-23	SPRING-PR	*	1	X	

 Indicate part is for electrical safety components



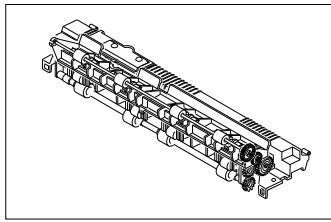
SA. : Service Available

Location No.	Description	SEC. Code	Q'ty	SA	Remark
3-24	MEC-ROLLER_PRESSURE	*	1	X	
3-25	PMO-GUIDE_INPUT	*	1	X	
3-26	RMO-RUBBER_FOOT	*	2	X	
3-27	ELA HOU-FUSER ASS'Y	JC96-02028B	1	O	110V
3-27	ELA HOU-FUSER ASS'Y	JC96-02028A	1	O	220V
3-28	CBF-HARNESS FUSER	*	1	X	
3-29	ELA HOU-MOTOR GND	*	1	X	
3-30	PMO-BUSHING SHAFT	*	1	X	
3-31	FAN-DC	3103-001085	1	O	
3-32	PMO-GEAR_83/35	*	1	X	
3-33	SPRING-FUSER DR	*	1	X	
3-34	PMO-GEAR_FU_IN 47	*	1	X	
3-35	PMO-GEAR_FU_OUT 47	*	1	X	
3-36	MEC-ROLLER FEED	*	1	X	
3-37	PBA MAIN-SENSOR	*	1	X	
3-38	EMC-HOLDER FEED	*	1	X	
3-39	CBF HARNESS-MOTOR GND	*	1	X	
3-40	IRP-BRKT FUSER DRV	*	1	X	
3-41	PMO-HINGE FRONT(L)	*	1	X	
3-42	PMO-HINGE FRONT(R)	*	1	X	
3-43	PMO-COVER PTL	*	1	X	
3-44	ELA HOU-PTL	*	1	X	
3-45	PCT-INSULATOR SENSOR BD	*	1	X	
3-46	PMO-FRONT FUSER	*	1	X	
3-47	PCT-COVER SHEET LAMP	*	1	X	
S-1	SCREW-TAPTITE	*	10	X	
S-2	SCREW-TAPTITE	*	2	X	

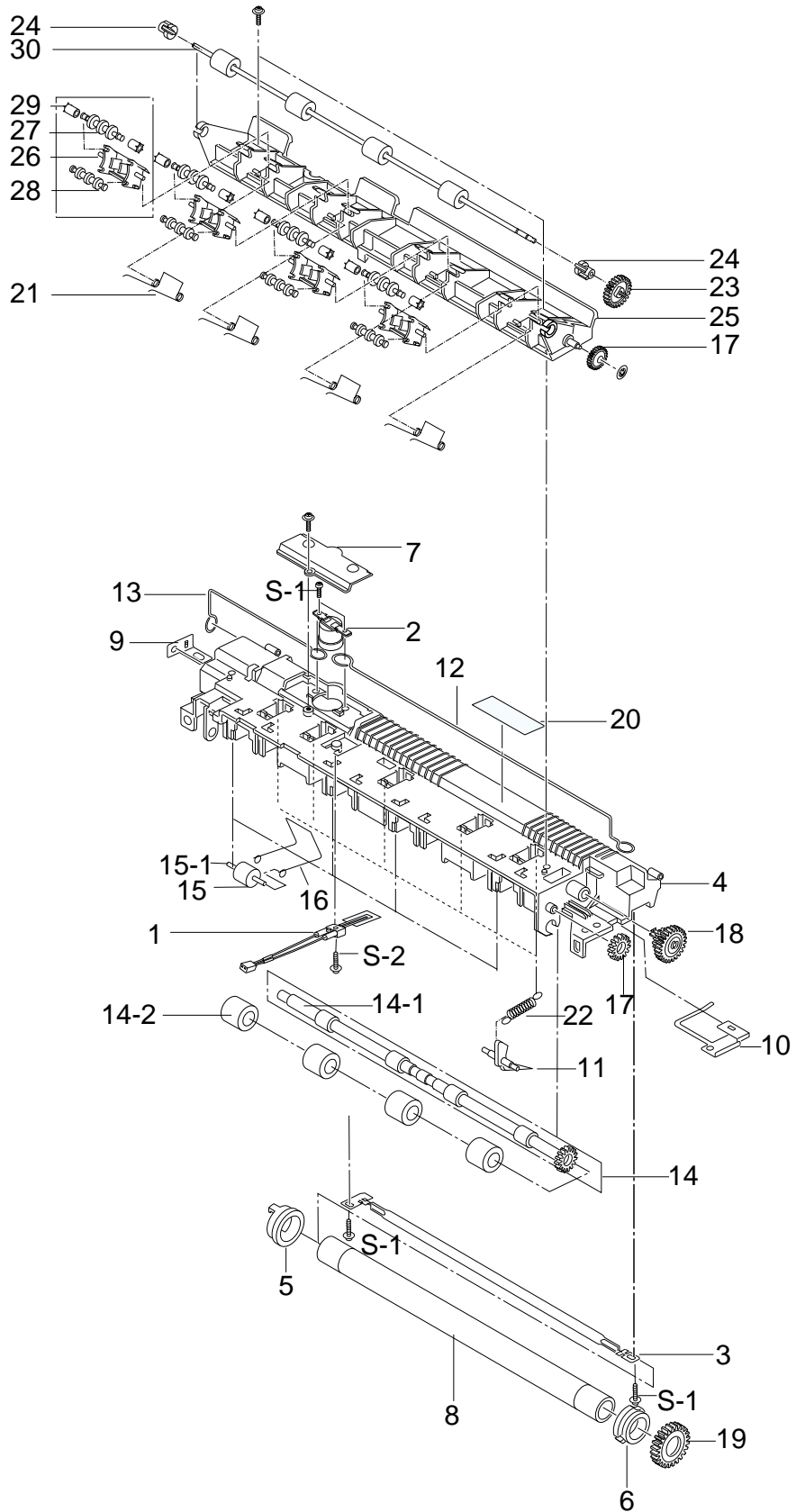
 Indicate part is for electrical safety components

O: Service available X: Service not available

5-4 Fuser Exploded View




0



Fuser Parts Lists

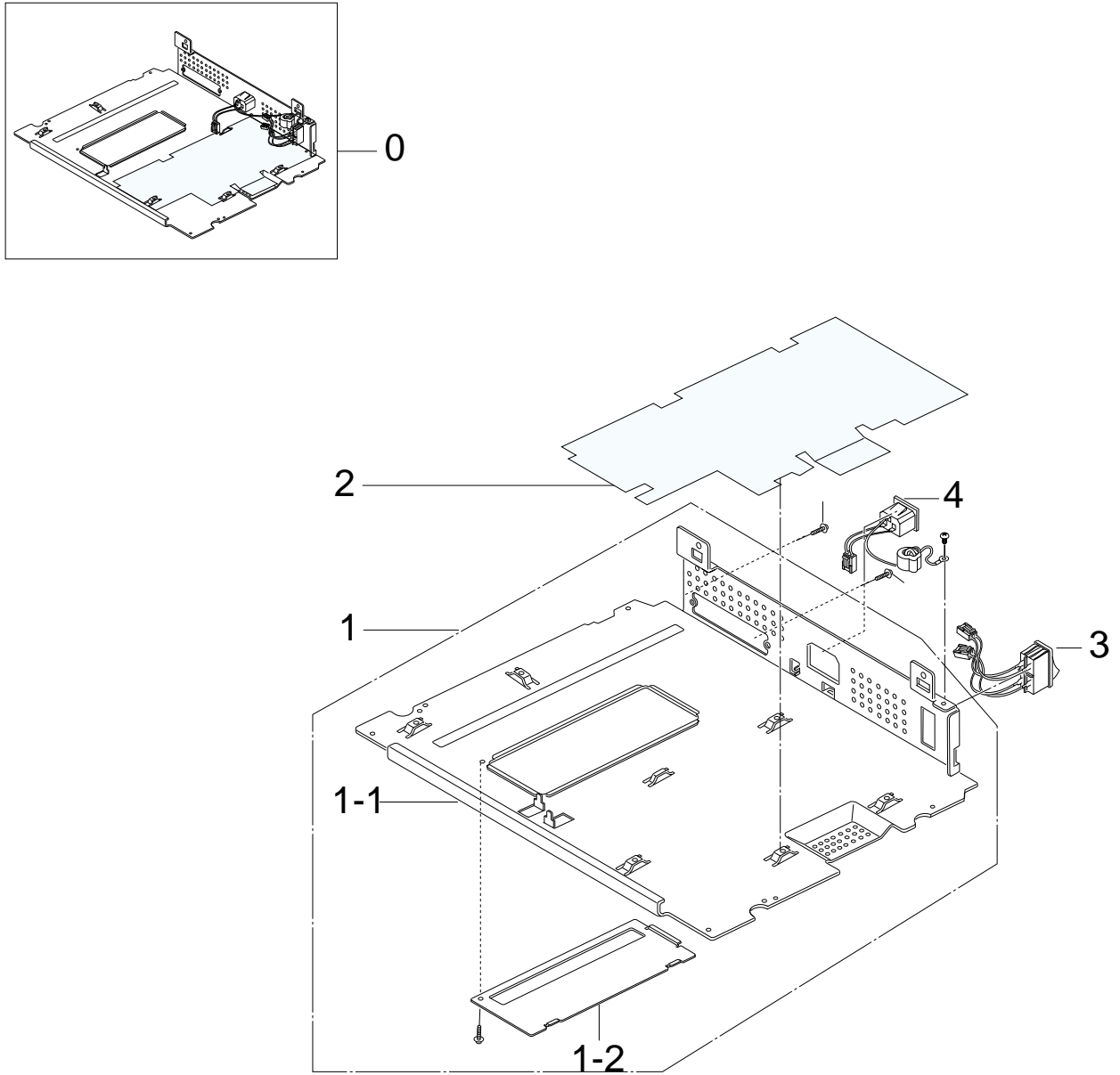
SA. : Service Available

Location No.	Description	SEC. Code	Q'ty	SA	Remark
0	 ELA HOU-FUSER ASS'Y	JC96-02028B	1	O	110V
0		JC96-02028A	1	O	220V
1	THERMISTOR-NTC	1404-001188	1	O	
2	THERMOSTAT-150C	4712-000001	1	O	
3	 LAMP-HALOGEN	4713-001120	1	O	110V
3		4713-001121	1	O	220V
4	PMO-COVER FUSER	*	1	X	
5	PMO-BUSHING H/R, L	*	1	X	
6	PMO-BUSHING H/R, R	*	1	X	
7	PMO-COVER_THERMOSTAT	*	1	X	
8	NPR-ROLLER HEAT	JC71-00012A	1	O	
9	IPR-ELECTRODE_PLATE	*	1	X	
10	IPR-GROUND_FU	*	1	X	
11	PMO-GUIDE CLAW	*	5	X	
12	ELECTRODE-WIRE,1	*	1	X	
13	ELECTRODE-WIRE,S	*	1	X	
14	MEA ETC-SHAFT EXIT	*	1	X	
14-1	PMO-SHAFT_EXIT(Z15)	*	1	X	
14-2	RMO-RUBBER_EXIT	*	4	X	
15	PMO-ROLLER_IDLE EXIT	*	4	O	
15-1	IPR-PIN ROLLER EXIT	*	4	X	
16	SPRING-EXIT	*	4	X	
17	PMO-GEAR_EXIT_DRV16	*	1	X	
18	PMO-GEAR_EXIT_IDLE	*	1	X	
19	PMO-GEAR_FUSER	*	1	X	
20	LABEL (R)-CAU_HOT_FU	*	1	X	
21	SPRING-EXIT DOWN	*	4	X	
22	SPRING-ES, GUIDE CLAW	*	4	X	
23	GEAR-EXIT F/DOWN	*	5	X	
24	BEARING-EXIT FU L	*	2	X	
25	PMO-COVER FUSER F/DOWN	*	1	X	
26	PMO-HOLDER_EXIT_DOWN	*	4	X	
27	PMO-EXIT_DOWN_L	*	4	X	
28	PMO-EXIT_DOWN_S	*	4	X	
29	RMO-RUBBER-KICKER	*	8	X	
30	MEC-UNIT_EXIT, F_DOWN	*	1	X	
S-1	SCREW TAPTITE	*	5	X	
S-2	SCREW TAPTITE	*	1	X	

 Indicate part is for electrical safety components

O: Service available X: Service not available

5-5 Shield Engine Unit Exploded View

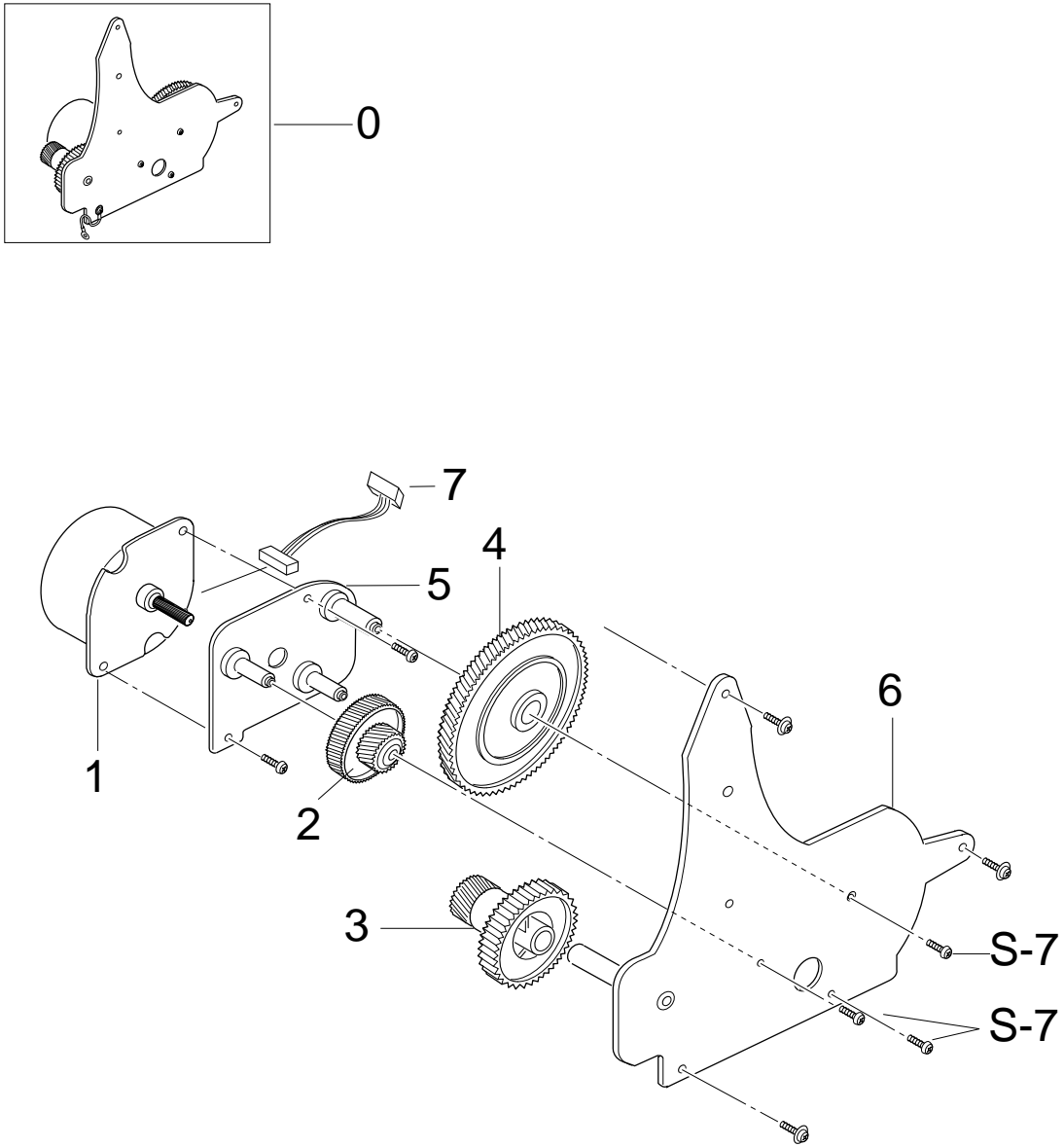


Shield Engine Unit Parts ListsSA. : *Service Available*

Location No.	Description	SEC. Code	Q'ty	SA	Remark
0	ELA HOU-SHIELD ENGINE	*	1	X	
1	MEC-SHIELD BRKT CONTROLLER	*	1	X	
1-1	IPR-SHIELD ENGINE	*	1	X	
1-2	IPR-BRKT CONTROLLER	JC70-00131A	1	O	
2	PCT-INSULATOR SMPS	JC72-00555A	1	O	
3	CBF HARNESS-SWITCH ASS'Y	JC39-00134A	1	O	
4	CBF HARNESS-INLET ASS'Y	JC39-00134A	1	O	
S-1	SCREW-MACHINE	*		X	
S-2	SCREW-TAPTITE	*		X	
S-3	SCREW-TAPTITE	*		X	

O: Service available X: Service not available

5-6 RX Drive Exploded View



RX Drive Parts ListsSA. : *Service Available*

Location No.	Description	SEC. Code	Q'ty	SA	Remark
0	ELA HOU-RX DRIVE	JC96-01755A	1	O	
1	MOTOR-STEP	JC31-00005A	1	O	
2	PMO-GEAR_71/28	*	1	X	
-3	PMO-GEAR_73/22	*	1	X	
4	PMO-GEAR_132/19	*	1	X	
5	IPR-BRKT_MOTOR	*	1	X	
6	IPR-BRKT_GEAR	*	1	X	
7	CBF-HARNESS_MOTOR	*	1	X	
S-7	SCREW-MACHINE	*	5	X	

O: Service available X: Service not available

5-7 Plate-Upper Unit Exploded View

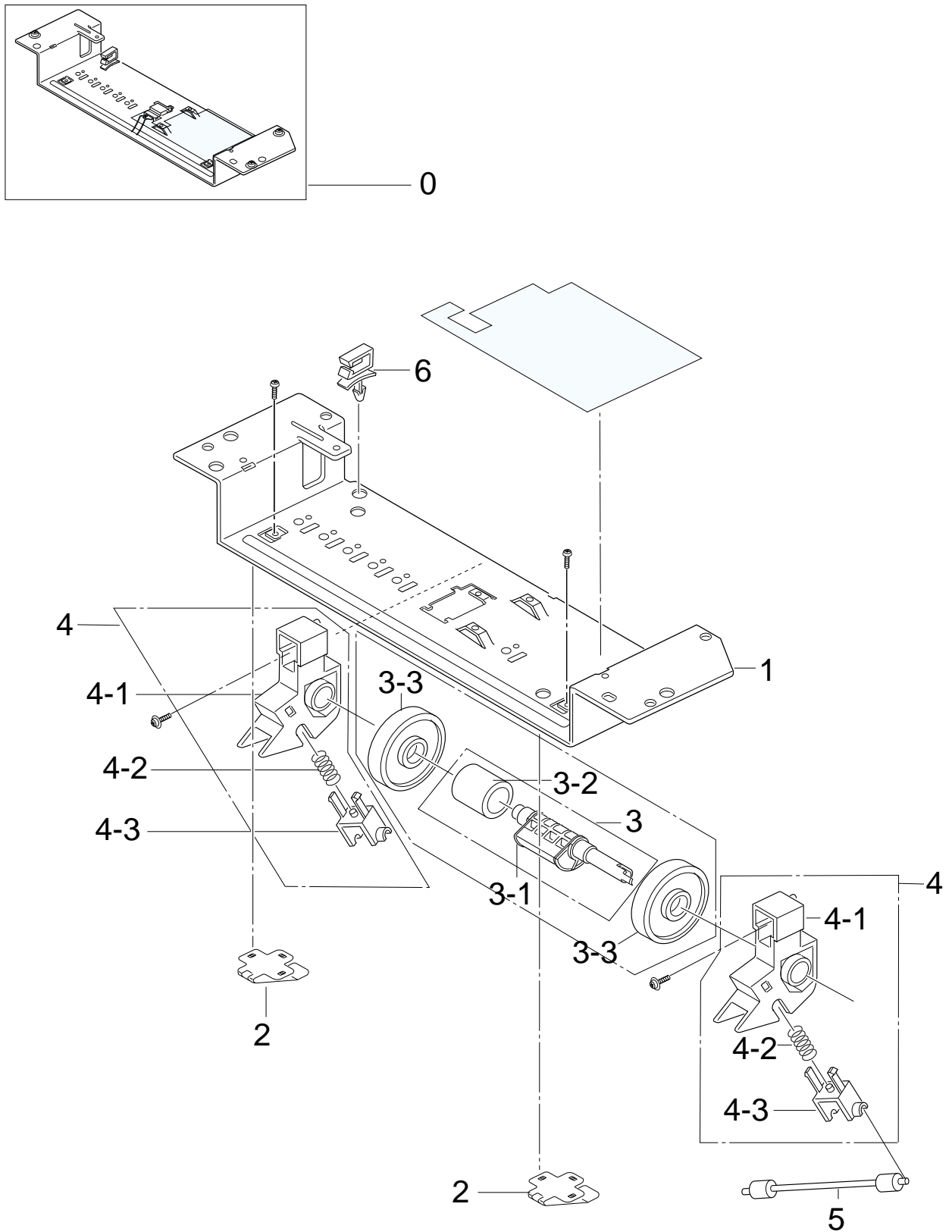


Plate-Upper Unit Parts Lists

SA. : Service Available

Location No.	Description	SEC. Code	Q'ty	SA	Remark
0	MEC-PLATE UPPER	JC75-00111A	1	O	
1	IPR-UPPER-PLATE	*	1	X	
2	IPR-PLATE SPRING DEV	*	2	X	
3	MEA ETC-ROLLER PICKUP	*	1	X	
3-1	PMO-HOUSING_PICKUP	*	1	X	
3-2	RMO-ROLLER_PICKUP	*	1	X	
3-3	PMO-IDLE_PICKUP	*	2	X	
4	MEA ETC-IDLE FEED	*	2	X	
4-1	PMO-HOLDER_PICKUP	*	1	X	
4-2	SPRING-FEED	*	1	X	
4-3	PMO-HOLDER_IDLE,FEED	*	1	X	
5	ICT-ROLLER_IDLE,FEED	*	1	X	
6	CABLE CLAMP	*	1	X	
S-1	SCREW TAPTITE	*	3	X	
S-9	SCREW TAPTITE	*	2	X	

O: Service available X: Service not available

Memo

BOM

DNA : Delivery Not Available SNA : Service Not Available

Level	Parts Code	Description	Status
1	0105-001032	PAPER-ART;75g,W210,-,WHITE,HANSOI,L297	
1	JC39-00043A	CBF HARNESS-LSU;SF-5100,#26,UL 1061,350m	
1	JC44-00016A	SMPS-4500 V2;ML-4500,AC/DC,44.5W,220-240	
1	JC44-00017A	SMPS-HVPS;ML-4500,-,-,+24/+5V	
1	JC59-00006A	UNIT-LSU;ML-4300,-,600DPI,-,-,-	
1	JC69-00136K	BOX(P)-MAIN(XEV);ML-4500,SW,OFFSET,346,4	
1	JC70-00058A	IPR-PLATE_CHANNEL;SF-5100,SECC,1.2,-	
1	JC75-00099A	MEC-TRAY(P);ML-4500,SAMSUNG,NTR,-,-,-	
L 2	6003-000264	SCREW-TAPTITE;PWH,+,B,M3,L6,ZPC(YEL),SWR	
L 2	6003-000264	SCREW-TAPTITE;PWH,+,B,M3,L6,ZPC(YEL),SWR	
L 2	JC66-40934A	GEAR-ADJUST RACK;ML-5000A,POM,WHT,-,-	
L 2	JC72-00164A	PMO-TRAY_AUTO;SF-5100,HIPS,LIGHT-GRAY,-,	
L 2	JC72-00165A	PMO-ADJUST_AUTO,L;SF-5100,HIPS,LIGHT-GRA	
L 2	JC72-00166A	PMO-ADJUST_AUTO,R;SF-5100,HIPS,LIGHT-GRA	
L 2	JC72-00313A	PCT-FILM MANUAL;SF-5100,PVC,NTR,-,-	
L 2	JC72-41146A	PMO-ADJUST MANUAL R;ML-5000A,HIPS,IVR,HB	
L 2	JC72-41147A	PMO-ADJUST MANUAL L;ML-5000A,HIPS,IVR,HB	
L 2	JC72-41168E	PMO-TRAY MANUAL PAPER;SF-5100,HIPS,IVR,V	
2	JG66-40003A	GEAR-PINION;SF4000,POM,WHT,M1,Z16	
1	JC75-00111A	MEC-PLATE UPPER;ML-5080I,SAMSUNG,-,-,NTR	
L 2	6003-000113	SCREW-TAPTITE;BH,+,B,M3,L4,ZPC(YEL),SM20	
L 2	6003-000266	SCREW-TAPTITE;PWH,+,S,M3,L6,ZPC(YEL),SWR	
L 2	6502-000130	CABLE CLAMP;DAWS-1NA,-,-,-,NTR	
L 2	JC61-00011A	SPRING-FEED;SF-5100,SUS304WPB,4.8,0.6,13	
L 2	JC70-00036A	IPR-UPPER-PLATE;SF-5100,SECC,1.2,-	
L 2	JC70-00154A	ICT-ROLLER IDEL FEED;ML-5080I,SUM24L NI,	
L 2	JC70-10223A	IPR-PLATE SPRING DEV;ML-80,SUS,T0.5,-	
L 2	JC72-00111A	PMO-HOLDER_PICKUP;SF-5100,POM,WHT,-,-	
L 2	JC72-00112A	PMO-HOLDER_IDLE,FEED;SF-5100,POM,WHT,-,-	
L 2	JC97-01308A	MEA ETC-ROLLER PICK UP;SF-5100,SAMSUNG,-	
L 3	JC72-00109A	PMO-HOUSING_PICKUP;SF-5100,PC+GF10%,BLK,	
L 3	JC72-00110A	PMO-IDLE_PICKUP;SF-5100,POM,BLK,-,-	
L 3	JC73-00018A	RMO-ROLLER_PICKUP;SF-5100,EPDM+IR,24*18*	
1	JC92-01271A	PBA MAIN CTRL-GDI;ML-4500,SEC,FOREIGN,GD	
L 2	0202-000118	SOLDER-WIRE;KR-19 RMA,-,D0.8,-,-	
L 2	1203-000495	IC-RESET;7045,T0-92,3P,-,PLASTIC,4.3/4.	
L 2	2001-001140	R-CARBON(S);39ohm,5%,1/2W,AA,TP,2.4x6.4m	
L 2	2401-000032	C-AL;100 UF,20%,50V,GP,10	
L 2	2401-000042	C-AL;100uF,20%,16V,GP,6.3x7mm,2.5mm	
L 2	2801-000199	CRYSTAL-UNIT;20MHz,50ppm,28-AAA,16pF,50o	
L 2	2804-001374	OSCILLATOR-CLOCK;28.74448MHz,100ppm,10TT	
L 2	3301-000344	CORE-FERRITE BEAD;ZZ,3.5x6.5mm,-,-	
L 2	3702-000118	CONNECTOR-RIBBON;36P,FEMALE,ANGLE,AU	
L 2	3711-000428	CONNECTOR-HEADER;3WALL,15P,1R,2mm,STRAIG	
L 2	3711-000470	CONNECTOR-HEADER;3WALL,4P,1R,2mm,STRAIGH	
L 2	3711-000524	CONNECTOR-HEADER;3WALL,9P,1R,2mm,STRAIGH	
L 2	3711-002410	CONNECTOR-HEADER;BOX,10P,2R,2mm,STRAIGHT	
L 2	3711-003408	CONNECTOR-HEADER;BOX,2P,1R,2mm,STRAIGHT,	
L 2	3711-003968	CONNECTOR-HEADER;BOX,3P,1R,2.5mm,STRAIGH	
L 2	3711-003969	CONNECTOR-HEADER;BOX,2P,1R,2.5mm,STRAIGH	
L 2	3711-003981	CONNECTOR-HEADER;BOX,28P,2R,2mm,STRAIGHT	
L 2	JC94-00243A	PHANTOM AU JC92-01271A	

L	3	0202-000108	SOLDER-CREAM;RMA-010 T-322,S63,-,-
L	3	0204-001068	BONDERITE;#3609,-,-,10cc/30cc
L	3	0401-000116	DIODE-SWITCHING;MMSD914T1,100V,200mA,225
L	3	0404-000112	DIODE-SCHOTTKY;RB420D,25V,100mA,SOT-23,T
L	3	0501-000338	TR-SMALL SIGNAL;KSC1623,NPN,60V,50V,150m
L	3	0801-001090	IC-CMOS LOGIC;74HC14,SCHMITT INVERTER,S
L	3	0803-001392	IC-TTL;7406,BUFFER/DRIVER,SOP,14P,300
L	3	0803-003058	IC-TTL;74F1071,ESD,SOP,20P,-,-,TP,PLA
L	3	1103-000133	IC-EEPROM;93C66,256K*16BIT,SOP,8P,150MIL
L	3	1105-001213	IC-DRAM;416C1204,1Mx16BIT,SOJ,42P,400M
L	3	1107-001209	IC-FLASH MEMORY;29F400,512Kx8/256Kx16Bit
L	3	1202-000164	IC-VOLTAGE COMP.;393,SOP,8P,150MIL,DUAL,
L	3	1203-001026	IC-POSIFIXED REG.;33269,DPAK,3P,265MIL,
L	3	2007-000026	R-CHIP;200OHM,5%,1/10W,R,TP,+250PP
L	3	2007-000029	R-CHIP;0ohm,5%,1/10W,DA,TP,2012
L	3	2007-000221	R-CHIP;1.2Kohm,5%,1/10W,DA,TP,2012
L	3	2007-000290	R-CHIP;100ohm,5%,1/10W,DA,TP,2012
L	3	2007-000290	R-CHIP;100ohm,5%,1/10W,DA,TP,2012
L	3	2007-000300	R-CHIP;10Kohm,5%,1/10W,DA,TP,2012
L	3	2007-000300	R-CHIP;10Kohm,5%,1/10W,DA,TP,2012
L	3	2007-000300	R-CHIP;10Kohm,5%,1/10W,DA,TP,2012
L	3	2007-000300	R-CHIP;10Kohm,5%,1/10W,DA,TP,2012
L	3	2007-000401	R-CHIP;150ohm,5%,1/10W,DA,TP,2012
L	3	2007-000468	R-CHIP;1Kohm,5%,1/10W,DA,TP,2012
L	3	2007-000468	R-CHIP;1Kohm,5%,1/10W,DA,TP,2012
L	3	2007-000477	R-CHIP;1Mohm,5%,1/10W,DA,TP,2012
L	3	2007-000671	R-CHIP;2Kohm,5%,1/10W,DA,TP,2012
L	3	2007-000774	R-CHIP;33Kohm,5%,1/10W,DA,TP,2012
L	3	2007-000781	R-CHIP;33ohm,5%,1/10W,DA,TP,2012
L	3	2007-000781	R-CHIP;33ohm,5%,1/10W,DA,TP,2012
L	3	2007-000859	R-CHIP;4.3Kohm,5%,1/10W,DA,TP,2012
L	3	2007-000872	R-CHIP;4.7Kohm,5%,1/10W,DA,TP,2012
L	3	2007-000964	R-CHIP;5.1Kohm,5%,1/10W,DA,TP,2012
L	3	2007-000981	R-CHIP;5.6Kohm,5%,1/10W,DA,TP,2012
L	3	2007-001133	R-CHIP;68ohm,5%,1/10W,DA,TP,2012
L	3	2203-000192	C-CERAMIC,CHIP;100nF,+80-20%,50V,Y5V,201
L	3	2203-000192	C-CERAMIC,CHIP;100nF,+80-20%,50V,Y5V,201
L	3	2203-000192	C-CERAMIC,CHIP;100nF,+80-20%,50V,Y5V,201
L	3	2203-000192	C-CERAMIC,CHIP;100nF,+80-20%,50V,Y5V,201
L	3	2203-000192	C-CERAMIC,CHIP;100nF,+80-20%,50V,Y5V,201
L	3	2203-000239	C-CERAMIC,CHIP;100pF,5%,50V,NPO,2012,-,T
L	3	2203-000260	C-CERAMIC,CHIP;10nF,10%,50V,X7R,2012,-,T
L	3	2203-000260	C-CERAMIC,CHIP;10nF,10%,50V,X7R,2012,-,T
L	3	2203-000455	C-CERAMIC,CHIP;1nF,5%,50V,NPO,2012,-,TP
L	3	2203-000455	C-CERAMIC,CHIP;1nF,5%,50V,NPO,2012,-,TP
L	3	2203-000455	C-CERAMIC,CHIP;1nF,5%,50V,NPO,2012,-,TP
L	3	2203-000595	C-CERAMIC,CHIP;220pF,5%,50V,NPO,2012,-,T
L	3	2203-000634	C-CERAMIC,CHIP;22pF,5%,50V,NPO,2012,-,TP
L	3	2203-000818	C-CERAMIC,CHIP;33pF,5%,50V,NPO,2012,-,TP
L	3	2203-000938	C-CERAMIC,CHIP;470pF,10%,50V,NPO,2012,-,
L	3	2203-001223	C-CERAMIC,CHIP;820pF,10%,50V,X7R,2012,2.
L	3	2402-000135	C-AL,SMD;22uF,20%,16V,-,5.3x5.3x5.2mm,-
L	3	2404-000468	C-TA,CHIP;33uF,20%,16V,GP,TP,7343,-
L	3	2901-001178	FILTER-EMI SMD;25V,2A,-,100000pF,2x1.25x
L	3	3301-000317	CORE-FERRITE BEAD;AB,2x1.25x0.9mm,-,-
L	3	JB13-00003A	IC ASIC-CHORUS;SF-3100,KS32C65100,QFP,20
L	3	JC41-00072A	PCB-MAIN;ML-4500,FR-4,2L,1.6T,168x103mm

L	3	1105-001293	IC-DRAM;4C1,1MX16Bit,SOJ,42P,400MIL,50nS
L	3	1203-001455	IC-POSI.FIXED REG.;1117,DPAK,3P,265MIL,P
L	2	JC68-00573A	LABEL(R)-BARCODE;ML-4500,PET,T0.05,10mm,
1		JC96-01755A	ELA HOU-RX DRIVE;ML-4500,SAMSUNG,-,DRIVE
L	2	0205-000005	GREASE-BEARING;EP56,-,-
L	2	6001-000131	SCREW-MACHINE;BH,+,M3,L6,ZPC(YEL),SM20C,
L	2	JC31-00005A	MOTOR-STEP 7.5;ML-4500,24VDC,1.1A,651PPS
L	2	JC39-00110A	CBF HARNESS-MOTOR;ML-4500,CBF,UL 1061,4P
L	2	JC70-00128A	IPR-BRKT MOTOR;ML-4500,SECC,1.6,-
L	2	JC70-00129A	IPR-BRKT GEAR;ML-4500,SECC,1.6,-
L	2	JC72-00152A	PMO-GEAR_71/28;SF-5100,POM(NW-02),WHT,-,
L	2	JC72-00153A	PMO-GEAR_73/22;SF-5100,POM(M90-44),WHT,-
L	2	JC72-00158A	PMO-GEAR_132/19;SF-5100,POM(NW-02),WHT,-
1		JC96-01757B	ELA HOU-FRAME LOWER(220V);ML-4500,SAMSUN
L	2	0205-000005	GREASE-BEARING;EP56,-,-
L	2	3103-001085	FAN-DC;24V,80mA,4800rpm,-,0.131mmH20
L	2	6003-000119	SCREW-TAPTITE;BH,+,B,M3,L8,CBLACK,SWRCH1
L	2	6003-000196	SCREW-TAPTITE;PWH,+,B,M3,L10,NI PLT,SWRC
L	2	JB39-00017A	CBF HARNESS-EARTH (TX MOTOR);SF-3100,CBF
L	2	JC39-00036A	CBF HARNESS-OPE GND;SF-5100,#18,UL 1007,
L	2	JC39-00042A	CBF HARNESS-FUSER;SF-5100,#18,UL 3122,30
L	2	JC39-00064A	CBF HARNESS-MOTOR GND;SF-5100,#18,UL1007
L	2	JC61-00014A	SPRING-P/R (APOLLO);SF-5100,SUS304WPB,5.
L	2	JC61-00016A	SPRING-FUSER DR;SF-5100,SUS304WPB,12.6,0
L	2	JC61-00038A	SPRING-GUIDE DEVE;SF-5100,SWP,5.1,0.7,17
L	2	JC66-10205A	BEARING-PRESSURE R;ML-80,PPS,-,-,-
L	2	JC70-00030A	IPR-SAW_PLATE;SF-5100,SUS304,0.15,-
L	2	JC70-00031A	IPR-EARTH_TRANS;SF-5100,SECC,1.0,-
L	2	JC70-00032A	IPR-GROUND_GUIDE;SF-5100,SUS304,0.2,-
L	2	JC70-00034A	IPR-GROUND_HVPS;SF-5100,SUS304,0.2,-
L	2	JC70-00035A	IPR-GROUND_FUSER;SF-5100,SUS304,0.2,-
L	2	JC70-00039A	IPR-GUIDE-TR;SF-5100,SECC,0.5,BLACK-PLAT
L	2	JC70-00040A	IPR-PLATE-TERMINAL;SF-5100,SUS304,0.2,-
L	2	JC70-00067A	IPR-GROUND DRIVE;SF-5100,SUS304 ,T0.2,-
L	2	JC70-00108A	IPR-BRKT FUSER DRV;SF-5100,SECC,T1.6,-
L	2	JC72-00103A	PMO-BUSHING_TERMINAL;SF-5100,ABS,BLK,-,-
L	2	JC72-00130A	PMO-ACTUATOR_EXIT;SF-5100,PC,BLK,-,-
L	2	JC72-00149A	PMO-GUIDE_INPUT;SF-5100,PBT+GF30%,BLK,-,
L	2	JC72-00154A	PMO-GEAR_83/35;SF-5100,POM(NW-02),WHT,-,
L	2	JC72-00155A	PMO-GEAR_FU_IN 47;SF-5100,POM(M90-44),WH
L	2	JC72-00157A	PMO-GEAR_FU_OUT 47;SF-5100,POM(M90-44),W
L	2	JC72-00217A	PCT-FILM SAW;SF-5100,PET(0.3T),NTR,-,-
L	2	JC72-00525A	PMO-HINGE FRONT(L);ML-4500,ABS+PC,IVR,V0
L	2	JC72-00526A	PMO-HINGE FRONT(R);ML-4500,ABS+PC,IVR,V0
L	2	JC72-00531A	PMO-HOLDER PR;ML-4500,PC,NTR,-,-
L	2	JC72-00532A	PMO-HOLDER EXIT;ML-4500,PC,NTR,-,-
L	2	JC72-00533A	PMO-FRAME LOWER;ML-4500,PC+ABS,NTR,-,-
L	2	JC72-00534A	PMO-COVER PTL;ML-4500,PC ,TRP,-,-
L	2	JC72-00570A	PCT-INSULATOR SENSOR BD;ML-4500,PVC(0.4T
L	2	JC72-00591A	PMO-FRONT FUSER;ML-4500,-,PBF30%,BLK,-
L	2	JC72-00596A	PCT-COVER SHEET LAMP;ML-4500,PVC(0.5T),-
L	2	JC72-41135A	PMO-CAP PLTE G/DEV R;ML-5000A,POM,BLK,-,
L	2	JC72-41173A	PMO-CAP PLTE G/DEV L;ML-5000A,POM,BLK,-,
L	2	JC73-00027A	RMO-RUBBER_FOOT;SF-5100,CR RUBBER,6.8*6.
L	2	JC75-00054A	MEC-ROLLER FEED;SF-5100,SAMSUNG,NTR
L	3	JC73-00038A	RPR-ROLLER FEED;SF-5100,EPDM,7.8*16.3,NT

	L	3	JC75-00092A	MEC-SHAFT FEED;SF-5100,SAMSUNG,NTR
L	2		JC75-00055A	MEC-HOLDER FEED;SF-5100,SAMSUNG,NTR
	L	3	JC72-00114A	PMO-HOLDER_FEED;SF-5100,ABS,BLK,-,-
	L	3	JC72-00117A	PMO-BUSHING_FEED;SF-5100,POM,WHT,-,-
	L	3	JC72-00118A	PMO-ACTUATOR_EMPTY;SF-5100,ABS,BLK,-,-
	L	3	JC72-00119A	PMO-ACTUATOR_FEED;SF-5100,ABS+PC,BLK,-,-
	L	3	JC61-00019A	SPRING-ACT, FEED;SF-5100,SUS304WPB,4.3,0
L	2		JC75-00091A	MEC-ROLLER_PRESSURE;ML-4500,SAMSUNG,NTR
L	2		JC75-00106C	MEC-HOLDER TR L;ML-4500,SAMSUNG,NTR,-,-
	L	3	JC61-00061A	SPRING-TR45;ML-4500,SWP,0.4,-,16.2,-,-,-
	L	3	JC70-00029A	IPR-PLATE_TR;SF-5100,SUS304,0.2,-
	L	3	JC72-00100C	PMO-HOLDER TR;ML-4500,-,PC,BRN,-,-,-
	L	3	JC72-00102A	PMO-BUSHING_TR(L);SF-5100,POM, BLK,-,-
L	2		JC75-00107C	MEC-HOLDER TR R;ML-4500,SAMSUNG,NTR,-,-
	L	3	JC61-00061A	SPRING-TR45;ML-4500,SWP,0.4,-,16.2,-,-,-
	L	3	JC72-00100C	PMO-HOLDER TR;ML-4500,-,PC,BRN,-,-,-
	L	3	JC72-00101A	PMO-BUSHING_TR(R);SF-5100,POM CE-20,BLK,
L	2		JC92-01197A	PBA MAIN-SENSOR;SF-5100,SEC,SENSOR B'D,-
	L	3	0604-001155	PHOTO-INTERRUPTER;TR,-,175MW,DIP,ST
	L	3	0604-001155	PHOTO-INTERRUPTER;TR,-,175MW,DIP,ST
	L	3	JC39-00039A	CBF HARNESS-MAIN/SENSOR;SF-5100,#26,UL 1
	L	3	JC94-00134A	100/XEU
	L	4	2001-000008	R-CARBON;15KOHM,5%,1/8W,AA,TP,1.8X3.2MM
	L	4	2001-000008	R-CARBON;15KOHM,5%,1/8W,AA,TP,1.8X3.2MM
	L	4	2001-000362	R-CARBON;150ohm,5%,1/8W,AA,TP,1.8x3.2mm
	L	4	2001-000362	R-CARBON;150ohm,5%,1/8W,AA,TP,1.8x3.2mm
	L	4	JC41-00033A	PCB-SENSOR;SF-5100,FR-1,1L,1.6,82*20
	L	4	2001-000786	R-CARBON;47Kohm,5%,1/8W,AA,TP,1.8x3.2mm
L	2		JC96-01579A	ELA HOU-MOTOR GND;SF-5100,HANSUNG,100Moh
L	2		JC96-01584A	ELA HOU-OPEN SENSOR;SF-5100,SAMSUNG,-,OP
	L	3	6003-000152	SCREW-TAPTITE;PH,+ ,B,M2,L10,ZPC(YEL),SWR
	L	3	JC39-00041A	CBF HARNESS-COVER;SF-5100,#22,UL 1007,17
	L	3	JC70-00038A	IPR-BRKT-SENSOR;SF-5100,SECC,1.0,-
L	2		JC96-01760A	ELA HOU-FUSER ASS'Y;ML-4500,SAMSUNG,-,FU
	L	3	0105-001032	PAPER-ART;75g,W210,-,WHITE,HANSOI,L297
	L	3	0205-001003	GREASE-BEARING;NYOGEL774,DAMPING GREASE,
	L	3	1404-001188	THERMISTOR-NTC;2.119,5%,-,0.4mW/C,BK
	L	3	4712-000001	THERMOSTAT-150C;125/250V,15/7.5A,150+-5C
	L	3	4713-001121	LAMP-HALOGEN;230V,2000mA,400W,REF,-,-,6p
	L	3	6003-000119	SCREW-TAPTITE;BH,+ ,B,M3,L8,CBLACK,SWRCH1
	L	3	JC61-00017A	SPRING-EXIT;SF-5100,SUS304WPB,3,0.3,16,-
	L	3	JC61-00055A	SPRING-EXIT DOWN;ML-4500,SUS304WPB,0.5,3
	L	3	JC61-70962A	SPRING-ES,GUIDE CLAW;ML-5000A,SUS304WPB,
	L	3	JC66-00037A	GEAR-FUSER;ML-4500,NYLON 66,WHT,-,-
	L	3	JC66-00038A	GEAR-EXIT F/DOWN;ML-4500,POM,WHT,-,-
	L	3	JC66-10200A	BEARING-EXIT FU L;ML-80,POM,-,-,-
	L	3	JC68-30928B	LABEL(R)-CAU_HOT_FU;ML-5000A/XRX,PVC,40X
	L	3	JC70-00043A	IPR-ELECTRODE_PLATE;SF-5100,C5201P,0.3,-
	L	3	JC70-00044A	IPR-GROUND_FU;SF-5100,SUS304,0.2,-
	L	3	JC70-00064A	IPR-PIN ROLLER EXIT;SF-5100,SUS,2,-
	L	3	JC70-00065A	IPR-ELECTRODE WIRE,S;SF-5100,BRONSE,0.3R
	L	3	JC70-00066A	IPR-ELECTRODE WIRE1;SF-5100,BRONSE,0.3R,
	L	3	JC71-00012A	NPR-ROLLER HEAT;ML-4500,AL PIPE,2.6,-,-
	L	3	JC72-00133A	PMO-COVER_THERMOSTAT;SF-5100,PC,BLK,-,-
	L	3	JC72-00143A	PMO-GEAR_EXIT_DRV16;SF-5100,POM,BLK,-,-
	L	3	JC72-00146A	PMO-GEAR_EXIT_IDLE;SF-5100,POM,BLK,-,-

L	3	JC72-00527A	PMO-COVER FUSER;ML-4500,PET GF 30%,NTR,-
L	3	JC72-00528A	PMO-COVER FUSER F/DOWN;ML-4500,PET GF 30
L	3	JC72-00529A	PMO-BUSHING H/R R;ML-4500,PPS,NTR,-,-
L	3	JC72-00530A	PMO-BUSHING H/R L;ML-4500,PPS,NTR,-,-
L	3	JC72-00567A	PMO-ROLLER_IDLE EXIT;ML-4500,-,POM,WHT,-
L	3	JC72-41128A	PMO-GUIDE CLAW;ML-5000A,PEEK,BLK,V0,TEFR
L	3	JC72-41177A	PMO-HOLDER_EXIT_DOWN;ML-5000A,PC,BLK,-,-
L	3	JC72-41178A	PMO-EXIT_DOWN_L;ML-5000A,POM,BLK,-,-
L	3	JC72-41179A	PMO-EXIT_DOWN_S;ML-5000A,POM,BLK,-,-
L	3	JC73-40913A	RMO-RUBBER-KICKER;ML-5000A,URE,PI5XT1.5,
L	3	JC75-10968A	MEC-UNIT_EXIT,F_DOWN;ML-5000A,LEX,SUM24+
L	3	JC97-01306A	MEA ETC-SHAFT EXIT;SF-5100,SAMSUNG,-,SHA
L	4	JC72-00150A	PMO-SHAFT_EXIT(Z15);SF-5100,PC,BLK,-,-
L	4	JC73-00017A	RMO-RUBBER_EXIT;SF-5100,EPDM,11.8X13.8X2
L	3	JC75-10968B	MEC-EXIT,F/DOWN;ML-4500,SAMSUNG,NTR,-,-,
L	3	JC70-00275A	IPR-ELECTRODE_LAMP;ML-6200,C5210P,-,0.5T
L	2	JC96-02037A	ELA HOU-PTL ASS'Y;ML-4500,SEC,PTL PBA AS
L	3	0601-001383	LED;ROUND,RED,3.0MM,700NM
L	3	JC39-00113A	CBF HARNESS-PTL HARNESS;SF-5100,WIRE HAR
L	3	JC41-10530A	PCB-PTL;ML-5500,FRI,1L,T1.6,218X8.5
L	3	JC39-40557A	CBF HARNESS-2P;ML-5000A,FLAT,UL1061,110m
L	2	JG72-40849A	PMO-BUSHING SHAFT;SF6000,POM,BLK,VO,VH 0
1		JC96-01758M	ELA HOU-COVER FRONT(XEV);ML-4500,SAMSUNG
L	2	6003-000196	SCREW-TAPTITE;PWH,+,B,M3,L10,NI PLT,SWRC
L	2	JC39-00112B	CBF HARNESS-MAIN PANEL;ML-4500,CBF,UL 10
L	2	JC71-00008A	NPR-BADGE;ML-5200A,AL FORGING,T1.5,ANODI
L	2	JC72-00375A	PPR-SHEET PAEPR GUIDE;ML-5200A,PC,WHT,-,
L	2	JC72-00510M	PMO-COVER FRONT(XEV);ML-4500,RUSSIA,HIPS
L	2	JC72-00511A	PMO-GUIDE STACKER;ML-4500,HIPS,IVR,V0,C8
L	2	JC72-00513A	PMO-DOOR FACE UP;ML-4500,HIPS,IVR,V0,C87
L	2	JC72-00515A	PMO-KEY A;ML-4500,HIPS,IVR,V0,C8726
L	2	JC72-00516A	PMO-KEY B;ML-4500,PMMA,TRP,-,-
L	2	JC72-00517A	PMO-LENS SED;ML-4500,PMMA,CLEAR,-,-
L	2	JC72-00518A	PMO-COVER PCB;ML-4500,HIPS,IVR,HB,C8726
L	2	JC72-00519A	PMO-STOPPER;ML-4500,NYLON,NTR,-,-
L	2	JC72-00557A	PMO-BRKT PUSH DEVE;ML-4300,-,HIPS,IVR,V0
L	2	JC92-01280A	PBA SUB-LED PANEL;ML-4500,SEC,KOR,LED_PA
L	3	0601-001254	LED;ROUND,YEL,3mm,585nm
L	3	0601-001255	LED;ROUND,GRN,3mm,570nm
L	3	0601-001261	LED;ROUND,RED,3mm,630nm
L	3	2001-000323	R-CARBON;120ohm,5%,1/4W,AA,TP,2.4x6.4mm
L	3	2202-000109	C-CERAMIC,MLC-AXIAL;100nF,+80-20%,50V,Y5
L	3	3404-000116	SWITCH-TACT;12V,50mA,160gf,6X6X3.6mm,SPS
L	3	3711-004637	CONNECTOR-HEADER;BOX,9P,1R,2mm,ANGLE,SN
L	3	JC41-00073A	PCB-DISPLAY;ML-4500,FR-1,1L,1.6T,166.5x2
1		JC96-01766A	ELA HOU-ENGINE ASS'Y;ML-4500,SAMSUNG,-,E
L	2	6003-000119	SCREW-TAPTITE;BH,+,B,M3,L8,CBLACK,SWRCH1
L	2	6003-000196	SCREW-TAPTITE;PWH,+,B,M3,L10,NI PLT,SWRC
L	2	JC33-00002A	SOLENOID-(APOLLO);SF-5100,DC24V,-,0.3A,2
L	2	JC39-00043A	CBF HARNESS-LSU;SF-5100,#26,UL 1061,350m
L	2	JC39-00045A	CBF HARNESS-THERMISTOR;SF-5100,#26,UL106
L	2	JC39-00109A	CBF HARNESS-MAIN-HVPS;ML-4500,CBF,UL1061
L	2	JC39-00111A	CBF HARNESS-PANEL MAIN;ML-4500,CBF,UL 10
L	2	JC61-00012A	SPRING-CLUTCH;SF-5100,SUS304WPB,8,0.45,1
L	2	JC61-00023A	SPRING-KNOCK UP;SF-5100,SUS304WPB,10.7,0
L	2	JC72-00115A	PMO-GEAR_FEED;SF-5100,POM,WHT,-,-

L	2	JC72-00116A	PMO-CLUTCH_FEED;SF-5100,POM,WHT,-,-	
L	2	JC72-00124A	PMO-CAP_PAD;SF-5100,POM,WHT,-,-	
L	2	JC72-00179A	PMO-GEAR_TRANSFER;SF-5100,POM(M90-44),WH	
L	2	JC72-00400A	PCT-INSULATOR ENG BD;SF-5100,PVC (T0.4),	
L	2	JC75-00049A	MEC-TERMINAL;SF-5100,SAMSUNG,IVR	
	L	3	JC61-00035A	SPRING-HV APOLLO;SF-5100,SUS304WPB,5.55,
	L	3	JC70-00050A	IPR-TERMINAL;SF-5100,SWRCH,4.4,NI COATIN
L	2	JC75-00050B	MEC-SIDE PAD(L);ML-4300I,SAMSUNG,-,-,-,-	
	L	3	JC72-00126B	PMO-HOLDER_PAD,L;ML-4300I,-,ABS+PC,WHT,-
	L	3	JC73-00057A	RPR-PAD SIDE;ML-4300,NBB(T1.0),7*12,NTR,
L	2	JC75-00051B	MEC-SIDE PAD(R);ML-4300I,SAMSUNG,-,-,-,-	
	L	3	JC72-00125B	PMO-HOLDER_PAD,R;ML-4300I,-,ABS+PC,WHT,-
	L	3	JC73-00057A	RPR-PAD SIDE;ML-4300,NBB(T1.0),7*12,NTR,
L	2	JC75-00053A	MEC-KNOCKUP ASS'Y;SF-5100,SAMSUNG,IVR	
	L	3	6003-000266	SCREW-TAPTITE;PWH,+S,M3,L6,ZPC(YEL),SWR
	L	3	JC70-00042A	IPR-BAR_KNOCKUP;SF-5100,SECC,0.8,-
	L	3	JC72-00121A	PMO-PLATE-KNOCKUP;SF-5100,ABS+PC,BLK,-,-
	L	3	JC72-00122A	PMO-CAM-KNOCKUP;SF-5100,ABS+PC,BLK,-,-
L	2	JC75-00056A	MEC-GEAR PICK UP;SF-5100,SAMSUNG,NTR	
	L	3	JC61-00020A	SPRING-PICK UP GEAR;SF-5100,SUS304WPB,3.
	L	3	JC72-00104A	PMO-GEAR_PICKUP,1;SF-5100,POM,BLK,-,-
	L	3	JC72-00106A	PMO-GEAR_PICKUP,2;SF-5100,POM,BLK,-,-
L	2	JC75-00072A	MEC-CAM PICK UP;SF-5100,SAMSUNG,NTR	
	L	3	JC72-00108A	PMO-SHAFT_PICKUP;SF-5100,PC+GF10%,BLK,-,
	L	3	JC72-00107A	PMO-CAM_PICKUP;SF-5100,POM,WHT,-,-
L	2	JC75-00093A	MEC-HOLDER PAD;ML-4500,SAMSUNG,NTR	
	L	3	JC61-00054A	SPRING-PAD;ML-4500,SUS304-WPB,0.4,-,14.4
	L	3	JC72-00535A	PMO-HOLDER PAD;ML-4500,PC+ABS,NTR,-,-
	L	3	JC72-00536A	PMO-HOLDER PAD LARGE;ML-4500,PC+ABS,NTR,
	L	3	JC73-00062A	RPR-PAD FRICTION;ML-4500,NBB(T1.0),39.5*
L	2	JC92-01273A	PBA SUB-MOTOR;ML-4500,SEC,KOR,MOTOR_DRIV	
	L	3	1003-001102	IC-MOTOR DRIVER;TEA3718DP,DIP,16P,300MIL
	L	3	1003-001102	IC-MOTOR DRIVER;TEA3718DP,DIP,16P,300MIL
	L	3	2005-001114	R-WIRE WOUND,NON;0.44ohm,5%,2W,AA,TP,3.8
	L	3	3711-000470	CONNECTOR-HEADER;3WALL,4P,1R,2mm,STRAIGH
	L	3	3711-003346	CONNECTOR-HEADER;BOX,18P,2R,2mm,ANGLE,SN
	L	3	3711-003408	CONNECTOR-HEADER;BOX,2P,1R,2mm,STRAIGHT,
	L	3	3711-003968	CONNECTOR-HEADER;BOX,3P,1R,2.5mm,STRAIGH
	L	3	JC62-00002A	HEAT SINK-(4500);ML-4500,BRONZE,0.5,9.3,
	L	3	JC94-00242A	100/XEU
	L	4	0402-000129	DIODE-RECTIFIER;1N4003,200V,1A,DO-41
	L	4	0402-000129	DIODE-RECTIFIER;1N4003,200V,1A,DO-41
	L	4	0501-000010	TR-SMALL SIGNAL;KSC1008,NPN,80V,60V,700m
	L	4	0501-000010	TR-SMALL SIGNAL;KSC1008,NPN,80V,60V,700m
	L	4	2001-000290	R-CARBON;10Kohm,5%,1/8W,AA,TP,1.8x3.2mm
	L	4	2001-000429	R-CARBON;1Kohm,5%,1/8W,AA,TP,1.8x3.2mm
	L	4	2001-000429	R-CARBON;1Kohm,5%,1/8W,AA,TP,1.8x3.2mm
	L	4	2001-000449	R-CARBON;2.2KOHM,5%,1/8W,AA,TP,1.8X3.2M
	L	4	2001-000812	R-CARBON;5.6KOHM,5%,1/8W,AA,TP,1.8X3.2M
	L	4	2001-000812	R-CARBON;5.6KOHM,5%,1/8W,AA,TP,1.8X3.2M
	L	4	2001-000832	R-CARBON;510ohm,5%,1/8W,AA,TP,1.8x3.2mm
	L	4	2001-000864	R-CARBON;56Kohm,5%,1/8W,AA,TP,1.8x3.2mm
	L	4	2001-000864	R-CARBON;56Kohm,5%,1/8W,AA,TP,1.8x3.2mm
	L	4	2001-000995	R-CARBON;820ohm,5%,1/8W,AA,TP,1.8x3.2mm
	L	4	2201-000391	C-CERAMIC,DISC;22PF,5%,50V,SL,5.0*3
	L	4	2201-000391	C-CERAMIC,DISC;22PF,5%,50V,SL,5.0*3

L	4	2201-001057	C-CERAMIC,DISC;820pF,10%,50V,Y5P,TP,5x3,
L	4	2201-001057	C-CERAMIC,DISC;820pF,10%,50V,Y5P,TP,5x3,
L	4	2201-001057	C-CERAMIC,DISC;820pF,10%,50V,Y5P,TP,5x3,
L	4	2201-001057	C-CERAMIC,DISC;820pF,10%,50V,Y5P,TP,5x3,
L	4	2401-002300	C-AL;47uF,20%,50V,GP,6x11mm,5mm,TP
L	4	JC39-40511A	CBF-HARNESS;ML-80,JUMPER,AWG22,52mm,SILV
L	4	JC39-40511A	CBF-HARNESS;ML-80,JUMPER,AWG22,52mm,SILV
L	4	JC39-40511A	CBF-HARNESS;ML-80,JUMPER,AWG22,52mm,SILV
L	4	JC39-40511A	CBF-HARNESS;ML-80,JUMPER,AWG22,52mm,SILV
L	4	JC39-40511A	CBF-HARNESS;ML-80,JUMPER,AWG22,52mm,SILV
L	4	JC39-40511A	CBF-HARNESS;ML-80,JUMPER,AWG22,52mm,SILV
L	4	JC39-40511A	CBF-HARNESS;ML-80,JUMPER,AWG22,52mm,SILV
L	4	JC39-40511A	CBF-HARNESS;ML-80,JUMPER,AWG22,52mm,SILV
L	4	JC39-40511A	CBF-HARNESS;ML-80,JUMPER,AWG22,52mm,SILV
L	4	JC39-40511A	CBF-HARNESS;ML-80,JUMPER,AWG22,52mm,SILV
L	4	JC39-40511A	CBF-HARNESS;ML-80,JUMPER,AWG22,52mm,SILV
L	4	JC39-40511A	CBF-HARNESS;ML-80,JUMPER,AWG22,52mm,SILV
L	4	JC41-00076A	PCB-ENGINE;ML-4500,FR-1,1L,-,1.6T,9.8x6.
L	3	JB68-00073A	LABEL(R)-BAR CODE;SF-3000,PY,38X6.5,T0.1
L	3	JF68-30527N	LABEL(R)-BAR CODE;SF500,PY,20X10,T0.1,WH
L	2	JC97-01321A	MEA RACK-TR ASSY;SF-5100,SAMSUNG,-,TR A
L	3	JC72-00288A	PPR-SPACER DR;SF-5100,PET FILM, T0.08,-,
L	3	JC75-00035A	MEC-TRANSFER ROLLER;SF-5100,SEC,NBR+SBR+
1		JC96-01767A	ELA HOU-SHIELD ENGINE;ML-4500,SAMSUNG,-,
L	2	6001-000568	SCREW-MACHINE;PH,+,M3,L8,NI PLT,SM20C,-
L	2	6003-000221	SCREW-TAPTITE;PWH,+,S,M4,L8,ZPC(YEL),SWR
L	2	6003-000266	SCREW-TAPTITE;PWH,+,S,M3,L6,ZPC(YEL),SWR
L	2	6031-000120	WASHER-E.T;M4,ID4.3,OD8.5,T0.45,ZPC(YEL)
L	2	JC39-00116A	CBF HARNESS-INLET;ML-4500,WIRE HARNESS,U
L	2	JC39-00117A	CBF HARNESS-INLET;ML-4500,WIRE HARNESS,U
L	2	JC72-00555A	PCT-INSULATOR SMPS;ML-4500,PVC(0.4T),-,N
L	2	JC75-00105A	MEC-SHIELD BRKT CONTROLL;ML-4500,SEC,SEC
L	3	6003-000266	SCREW-TAPTITE;PWH,+,S,M3,L6,ZPC(YEL),SWR
L	3	JC70-00130A	IPR-SHIELD ENGINE;ML-4500,SECC,0.8,-
L	3	JC70-00131A	IPR-BRKT CONTROLLER;ML-4500,SECC,0.8,-
L	2	JC39-00134A	CBF HARNESS-INLET-SWITCH;ML-4500,WIRE-HA
1		JC96-01898A	ELA-UNIT DEVE APO8 E;ML-4500,SEC,XEG,SET
L	2	JC02-00005A	TONER-POLYESTER CLEANLESS;ML-4500,SMT-10
L	2	JC96-01724B	ELA UNIT-DEVE PUBLIC 2;ML-4500,SEC,PUBLI
L	3	0105-001032	PAPER-ART;75g,W210,-,WHITE,HANSOI,L297
L	3	0203-000007	TAPE-FILAMENT;3M,T0.15,W18,L55M,TRP
L	3	0205-001059	GREASE-BEARING;PETAMO GHV 133,BEIGE,15KG
L	3	0205-001067	GREASE-GRAPHITE;NYOGEL 756G,HYDRO CARBON
L	3	6003-000119	SCREW-TAPTITE;BH,+,B,M3,L8,CBLACK,SWRCH1
L	3	6031-000019	WASHER-PLAIN;- ,ID6.1,OD8.5,T0.1,BLK,POLY
L	3	6031-000022	WASHER-PLAIN;- ,ID5.9,OD10.0,T0.13,BLK,PO
L	3	6031-000023	WASHER-PLAIN;- ,ID5.9,OD10.0,T0.5,BLK,POL
L	3	6031-001051	WASHER-PLAIN;M4,ID4.1,OD7.0,T0.13,*,POLY
L	3	JC61-00026A	SPRING-TS-CHARGE APOLLO;SF-5100,SWP-B,¥0
L	3	JC66-00013A	GEAR-AGITATOR;SF-5100,POM(M90-44),BLK,M0
L	3	JC66-00014A	GEAR-IDLE 26/11;SF-5100,POM(M90-44),BLK,
L	3	JC66-00015A	GEAR-IDLE 18/17;SF-5100,POM(M90-44),BLK,
L	3	JC66-00016A	GEAR-DEVE ROLLER;SF-5100,DELIN 500CL,BLK
L	3	JC66-00017A	GEAR-SUPPLY ROLLER;SF-5100,DELIN 500CL,B
L	3	JC68-00274A	LABEL(R)-RIBBON;SF-5100,100,-,-,BLK

L	3	JC68-00328A	MANUAL-ONE SHEET-DEVE APOLLO;SF-5100,SEC	
L	3	JC68-10209B	LABEL(P)-PACK DEVE;ML-85,ART,34*84,G100,	
L	3	JC68-10914D	LABEL(P)-SERIAL NO;ML-85,ART,70X15,G100,	
L	3	JC69-00078A	BAG-DEVE APOLLO;SF-5100,CONDUTIVE T0.1 ,	
L	3	JC70-00055A	ICT-SHAFT DEV;SF-5100,SUS 304,D4.0,NI(WH	
L	3	JC72-00075A	PMO-FRAME DEV LOWER;SF-5100,ABS,BLK,-,-	
L	3	JC72-00082A	PMO-BUSHING AGI R;SF-5100,POM,WHITE,-,-	
L	3	JC72-00288A	PPR-SPACER DR;SF-5100,PET FILM, T0.08,-,	
L	3	JC72-00288B	PPR-SPACER DR R;SF-5100,TETRON,WHT,T=0.1	
L	3	JC72-00289A	PPR-FILM REAR APO;SF-5100,PET FILM, T0.2	
L	3	JC72-00576A	PMO-FRAME DEVE UPPER;ML-4500,-,ABS,BLK,-	
L	3	JC72-40232A	PMO-CAP AGITATOR;ML-80,PP,BLK,-,-	
L	3	JC73-00019A	RPR-SEAL SUPPLY L;SF-5100,URETHANE RUBBE	
L	3	JC73-00020A	RPR-SEAL SUPPLY R;SF-5100,URETHANE RUBBE	
L	3	JC73-00021A	RPR-SEAL BLADE;SF-5100,URETHANE FOAM,219	
L	3	JC73-00022A	RPR-SEAL LOWER;SF-5100,URETHANE FOAM,219	
L	3	JC73-00023A	RPR-SEAL SIDE L;SF-5100,URETHANE FOAM,54	
L	3	JC73-00024A	RPR-SEAL SIDE R;SF-5100,URETHANE FOAM,64	
L	3	JC73-00048A	RPR-SEAL UPPER;SF-5100,URETHANE FOAM,42X	
L	3	JC73-00055A	RPR-SEAL SPACE;SF-5100,URETHANE SPONGE ,	
L	3	JC73-10914A	RPR-SEAL FILM;MLE-5000,URETHANE FOAM,10X	
L	3	JC75-00028B	MEC-ASS'Y BLADE SUS;ML-4500,SEC,SECC+SUS	
	L	4	JC70-00022A	BRACKET-BLADE APOLLO;SF-5100,SECC,1.2T,-
	L	4	JC70-10988A	IPR-SUS BLADE;MLE-5000,SUS301 1/2H 0.08T
L	3	JC75-00032B	MEC-DEVE ROLLER 8PPM;ML-4500,SEC,NBR+ECO	
L	3	JC75-00034B	MEC-SUPPLY ROLLER;ML-4500,SEC,SILICONE F	
L	3	JC75-00044A	MEC-BUSHING AGI L;SF-5100,SEC,POM+SANTOP	
	L	4	JC72-00081A	PMO-BUSHING AGI L;SF-5100,POM,WHITE,-,-
	L	4	JC73-40906A	RMO-SEAL AGITATOR;MLE-5000,SANTOPRAIN,-,
L	3	JC75-00046A	MEC-CLEANING CR FELT;SF-5100,SEC,SECC+BR	
	L	4	JC70-00024A	BRACKET-FELT APOLLO;SF-5100,SECC,1.2T,-
	L	4	JC74-00008A	MCT-FUR FOAM CR APO;SF-5100,FUR,T=9.5,-,
L	3	JC75-10973C	MEC-AGITATOR;SF-5100,SEC,ABS+PET 0.1T+0.	
	L	4	JC72-10924A	PPR-FILM AGITATOR;MLE-5000,PET T0.1,NTR,
	L	4	JC72-10925A	PPR-FILM SUPPORT AGI;MLE-5000,PET T0.3,N
	L	4	JC72-41109A	PMO-AGITATOR;MLE-5000,ABS(GF20%),NTR,HB,
L	3	JC97-01278A	MEA-ASS'Y PLATE DEV L;SF-5100,SEC,PC+POM	
	L	4	JC61-00025A	SPRING-CS-CHARGE APOLLO;SF-5100,SUS 304-
	L	4	JC72-00077A	PMO-PLATE DEV L;SF-5100,PC,BLK,-,-
	L	4	JC72-40332A	PMO-BUSHING_CHARGE;ML-80,POM,BLK,HB,-
L	3	JC97-01279A	MEA-ASS'Y CAP DEV L;SF-5100,SEC,ABS+URET	
	L	4	JC72-00079A	PMO-CAP DEV L;SF-5100,ABS,BLK,-,-
	L	4	JC73-00025A	RPR-SEAL SIDE CAP;SF-5100,URETHANE FOAM,
L	3	JC97-01280A	MEA-ASS'Y CAP DEV R;SF-5100,SEC,ABS+URET	
	L	4	JC72-00080A	PMO-CAP DEV R;SF-5100,ABS,BLK,-,-
	L	4	JC73-00025A	RPR-SEAL SIDE CAP;SF-5100,URETHANE FOAM,
L	3	JC97-01281A	MEA-ASS'Y PLATE DEV R;SF-5100,SEC,PC+POM	
	L	4	JC61-00025A	SPRING-CS-CHARGE APOLLO;SF-5100,SUS 304-
	L	4	JC70-00153A	IPR-ELECTRODE CHARGE;ML-4500,SUS304 CSP-
	L	4	JC70-50901A	IPM-BUSHING DEV R;MLE-5000,BRONZE,D7.0 X
	L	4	JC72-00078A	PMO-PLATE DEV R;SF-5100,PC,BLK,-,-
	L	4	JC72-00083A	PMO-HOLDER CR L;SF-5100,POM(C20),BLK,-,-
L	3	JC97-01282A	MEA UNIT-ASS'Y OPC DRUM;SF-5100,SEC,AL+U	
	L	4	0201-001162	ADHESIVE-CYA;LOCTITE403,NTR,1250,20G
	L	4	JC66-00047A	GEAR-OPC L APOLLO PRT;ML-4500,PC LS1250,
	L	4	JC71-00003A	NEX-OPC DRUM APOLLO;SF-5100,AL3003,Ø24,

	L	4	JC75-00043A	MEC-GEAR OPC R;SF-5100,SEC,POM+C5210P-H
		5	JC66-00012A	GEAR-OPC R;SF-5100,POM(M90-44),BLK,M0.6,
		5	JC71-00002A	NPR-EARTH OPC APOLLO;SF-5100,C5210P-H,0.
	L	3	JC97-01283A	MEA-ASS'Y CHARGE ROLLER;SF-5100,SEC,NBR+
	L	4	JC66-00018A	GEAR-CHARGE ROLLER;SF-5100,POM(M90-44),B
	L	4	JC75-00033A	MEC-CHARGE ROLLER;SF-5100,SEC,NBR+ECO+SU
	L	3	JC68-30554A	LABEL(R)-FUSER;SL-1050,TETRON,-,T0.1,RED
1			JC97-01344A	MEA ETC-COVER ASS'Y;ML-4500,SAMSUNG,-,CO
L		2	6003-000196	SCREW-TAPTITE;PWH,+,B,M3,L10,NI PLT,SWRC
L		2	JC72-00522A	PMO-COVER TOP;ML-4500,HIPS,IVR,V0,C8726
L		2	JC72-00523A	PMO-COVER SIDE(L);ML-4500,HIPS,IVR,V0,C8
L		2	JC72-00524A	PMO-COVER SIDE(R);ML-4500,HIPS,IVR,V0,C8
L		2	JC75-00094A	MEC-COVER REAR;ML-4500,SAMSUNG,NTR
	L	3	JC72-00180A	PMO-TRAY_LARGE;SF-5100,HIPS,IVORY,-,-
	L	3	JC72-00520A	PMO-COVER REAR;ML-4500,HIPS,IVR,V0,C8726
1			JC99-01097G	INA-ACCESSORY(XEV);ML-4500,SAMSUNG,RUSSI
L		2	JC39-30002A	CBF-INTERFACE;1800MM,36P/25P,GRY,UL/CSA_
L		2	JC46-00103A	S/W APPLICATION-GDI;-,-,ML-4500,PRT DRV,1.
L		2	JC68-00638A	MAN(CARD)-WARRANTY;ML-6040,SER,RUSSIAN,R
L		2	JC68-00641A	MAN(BOOK)-SETUP GUIDE;ML-4500,SER,RUSSIA
L		2	JC69-00133A	BAG-PE ZIPPER;SF-5100P,LDPE,0.07,350,250
L		2	JC69-00134A	BOX(P)-KIT;ML-4500,SW, E,TOMSON,58,228,4
L		2	JC69-00135A	BOX(P)-KIT PAD;ML-4500,SW, E,PARTITION,-
L		2	JC72-00302A	PMO-STACKER RX;ML-5200A,HIPS,IVR,V0,VE-1
L		2	JF39-50053A	CBF-LINE CORD;-,-,250MM,BLK,-
L		2	JF68-10532B	LABEL(P)-BAR CODE;-,-,-,-
1			JC99-01098A	PAA WOOD-PACKING ASS'Y;ML-4500,SAMSUNG,-
L		2	0203-001100	TAPE-OPP MASKING;OPP/W75/CLR,T0.05,W75,L
L		2	JC69-00127A	CUSHION-MAIN(4500);ML-4500,EPS,450*120*3
L		2	JK69-30101A	BAG-PE SET;HDPE,T0.015,W800*L850,ECR
1			JC99-01111H	PAA WOOD-LABEL ASS'Y(XEV);ML-4500,SAMSUN
L		2	JC68-00415D	LABEL(R)-DEMO(XEV);ML-4500,PASCAL ECONOM
L		2	JC68-00477E	LABEL(P)-POP(XEV);ML-4500, ART 100g,-,82
L		2	JC68-10526A	LABEL(P)-VOLTAGE;-,-,ART,12.5X11,100(S),YE
L		2	JC68-10535A	LABEL(P)-ENERGY ST.;SLB-3105,ART,-,100(S
L		2	JC68-10909A	LABEL(P)-CAU,LSU;DEVE-ML(D),ART,130X20,1
L		2	JC68-10932A	LABEL(P)-BLANK(ML);ML-85/85G,ART,70X60,G
L		2	JC68-30004P	LABEL(R)-RATING;ML-4500,SIL,T0.05,44,90,
L		2	JF68-10532B	LABEL(P)-BAR CODE;-,-,-,-
L		2	JK75-10008A	RIBBON-BARCODE;ECR,RESIN/TYPE,KISCOM
1			JC99-01112A	INA-MATERIAL(A4);ML-4500,SAMSUNG,-,TEST
L		2	0105-000101	PAPER-ART;75G,W216,-,-,XEROX3R2047,-
L		2	0105-000107	PAPER-ART;-,-,W210,-,-,3M,L297
L		2	0105-001032	PAPER-ART;75g,W210,-,WHITE,HANSOI,L297
L		2	0203-000007	TAPE-FILAMENT;3M,T0.15,W18,L55M,TRP
L		2	0204-001068	BONDERITE;#3609,-,-,10cc/30cc
L		2	0205-000005	GREASE-BEARING;EP56,-,-
L		2	0205-001002	GREASE-BEARING;NYOGEL744,WITH PTFE,-
L		2	0205-001058	GREASE-SILICON;G40M,YEL,-
L		2	JC69-00050A	ENVELOPE-C5 WHITE;ML-6100,PAPER,WHT,20LB
L		2	JF68-30527A	LABEL(R)-DOC. LOAD;
L		2	JF68-30527N	LABEL(R)-BAR CODE;SF500,PY,20X10,T0.1,WH
L		2	0205-001056	GREASE-GRAPHITE;CRS841,WHT,-
1			4713-001121	LAMP-HALOGEN;230V,2000mA,400W,REF,-,-,6p
1			JC92-01288A	PBA MAIN-GDI CONTROLLER;ML-4500,SEC,WORL
L		2	0202-000118	SOLDER-WIRE;KR-19 RMA,-,D0.8,-,-

L	3	2402-000135	C-AL,SMD;22uF,20%,16V,-,5.3x5.3x5.2mm,-
L	3	2404-000468	C-TA,CHIP;33uF,20%,16V,GP,TP,7343,-
L	3	2901-001178	FILTER-EMI SMD;25V,2A,-,100000pF,2x1.25x
L	3	2901-001178	FILTER-EMI SMD;25V,2A,-,100000pF,2x1.25x
L	3	2901-001178	FILTER-EMI SMD;25V,2A,-,100000pF,2x1.25x
L	3	2901-001178	FILTER-EMI SMD;25V,2A,-,100000pF,2x1.25x
L	3	3301-000317	CORE-FERRITE BEAD;AB,2x1.25x0.9mm,-,-
L	3	3301-000317	CORE-FERRITE BEAD;AB,2x1.25x0.9mm,-,-
L	3	3301-000317	CORE-FERRITE BEAD;AB,2x1.25x0.9mm,-,-
L	3	3301-000317	CORE-FERRITE BEAD;AB,2x1.25x0.9mm,-,-
L	3	JB13-00003A	IC ASIC-CHORUS;SF-3100,KS32C65100,QFP,20
L	3	JC41-00081A	PCB-MAIN;ML-4500,FR-4,2L,-,1.6T,168x103m
L	3	1105-000249	IC-DRAM;416C1200A,1MX16BIT,SOJ,42P,270
L	3	0404-000112	DIODE-SCHOTTKY;RB420D,25V,100mA,SOT-23,T
L	3	2007-000070	R-CHIP;0OHM,5%,1/16W,DA,TP,1608
L	2	1203-000495	IC-RESET;7045,T0-92,3P,-,PLASTIC,4.3/4.
L	2	2001-001140	R-CARBON(S);39ohm,5%,1/2W,AA,TP,2.4x6.4m
L	2	2401-000042	C-AL;100uF,20%,16V,GP,6.3x7mm,2.5mm