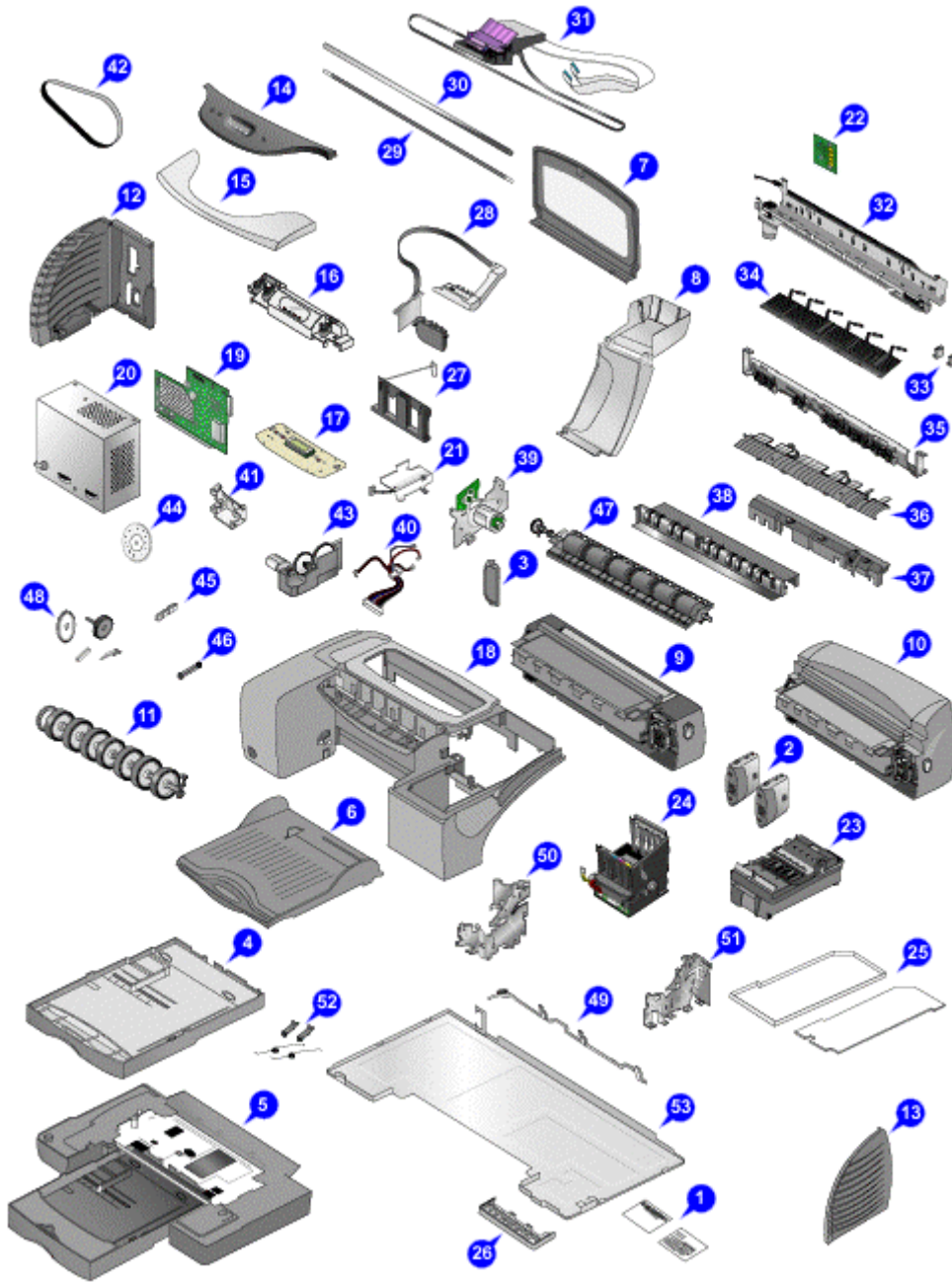





















exploded view



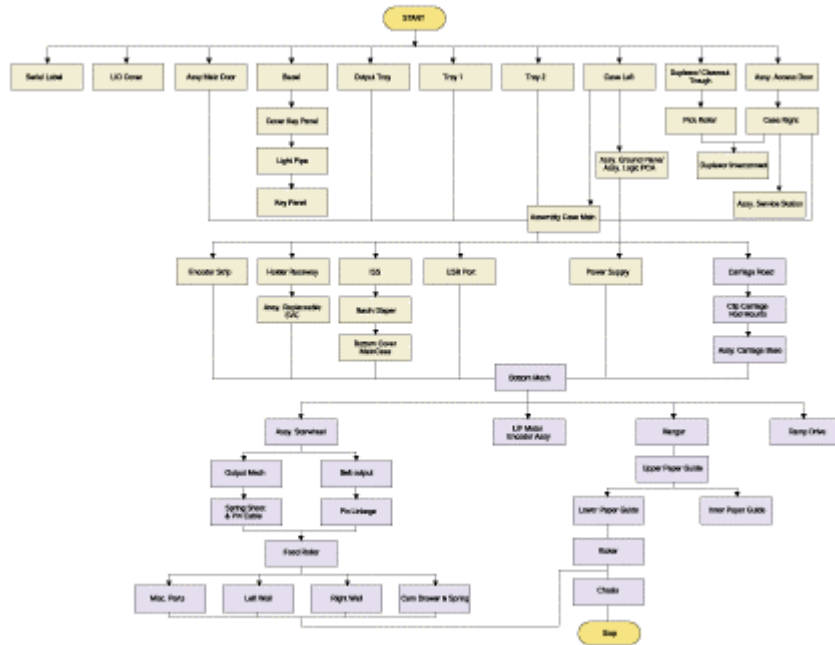
exploded view

S. No.	Part Name	Service Level	Bar codes	Part Number
1.	Serial label	NV		C8108-67025
2.	hp jetdirect 200mhp			J6039A

2a.	jetdirect 200m	NV		J6042A
3.	Cover LIO SVC	NV		C8108-67014
4.	Assy. Tray Main	NV		C8108-67044
5.	2nd Bin SVC	NV		C8108-67052
6.	Output tray	NV		C8108-67045
7.	Assy. Door Main	NV		C8108-67020
8.	Assy. Access Door	NV		C8108-67022
9.	Assy. Cleanout Trough	NV		C8108-67036
10.	Duplex Unit SVC	NV		C8108-67053
11.	Assy. Pick Roller	NV		C8108-67039
12.	Case-Right SVC	NV		C8108-67017
13.	Case-Left SVC	NV		C8108-67016
14.	Bezel SVC	NV		C8108-67015
15.	Cover Key panel SVC	NV		C8108-67018
16.	Assy. Lightpipe	NV		C8108-67021
17.	PCA key panel	NV		C8108-67007
18.	Assy. Case main	NV		C8108-67019
19.	PCA Assy. Logic	NV		C8108-67005
20.	PCA power supply	NV		C8108-67004
21.	Assy. USB SVC	NV		C8108-67006
22.	PCA Duplexer Interconnect	NV		C8108-67031
23.	Assy. Service station	NV		C8108-67011
24.	Assy. Ink supply station	NV		C8108-67013
25.	Base absorber/basin SVC	NV		C8108-67003

26.	Bottom Cover - Main Case	NV		C8108-67023
27.	Holder - raceway/hanger SVC	NV		C8108-67024
28.	Assy. Replaceable IDS SVC	NV		C8108-67012
29.	Carriage Rod	NV		C8108-67008

repair flowchart



repair flowchart

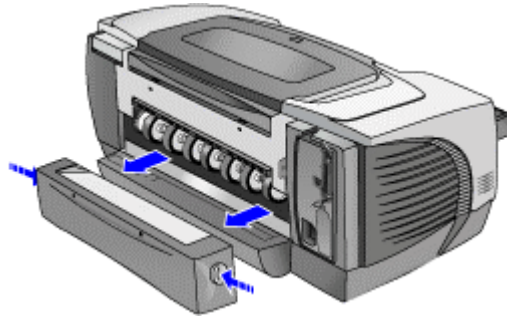
high failure rate parts

part number	part name	part AFR or % repair
C8108-67011	Assy. Service Station SVC	15.00%
C8108-67013	Assy. Ink Supply Station SVC	15.00%
C8108-67019	Assy. Case Main SVC	15.00%
C8108-67045	Assy. Output Tray SVC	15.00%
C8108-67003	Base absorber/basin SVC	10.00%
C8108-67010	Encoder Strip SVC	10.00%
C8108-67012	Assy. Replaceable IDS SVC	10.00%
C8108-67016	Case - Left SVC	10.00%
C8108-67017	Case - Right SVC	10.00%
C8108-67020	Assy. Door Main SVC	10.00%
C8108-67022	Assy. Access Door SVC	10.00%
C8108-67044	Assy. Tray Main SVC	10.00%

high failure rate parts - in order of AFR%

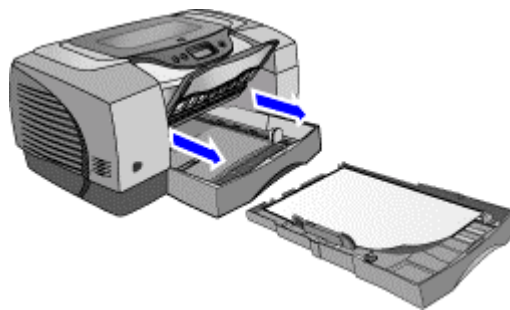
crew parts

Assy. Cleanout Trough SVC - C8108-67036



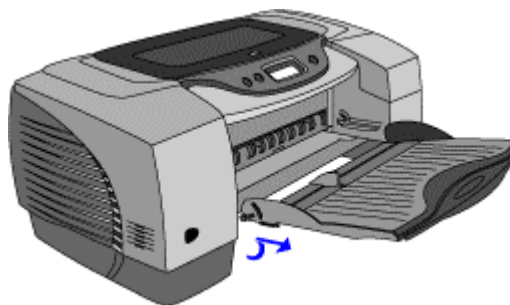
- | | |
|----|---|
| 1. | Push the two buttons located on both sides of the cleanout trough to remove it. |
|----|---|

Assy. Tray main - C8108-67044



- | | |
|----|-------------------------------|
| 1. | Lift the output tray. |
| 2. | Pull to remove the main tray. |

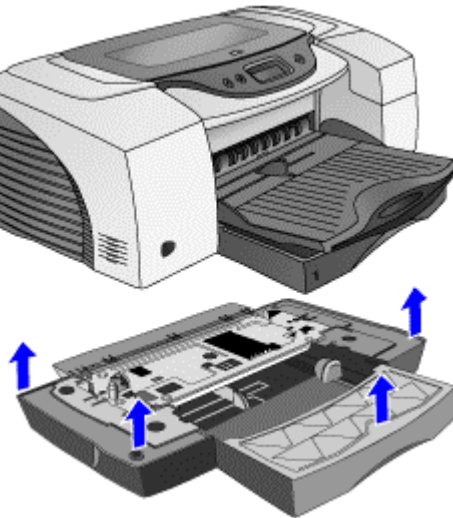
Assy. Output tray - C8108-67045



- | | |
|----|---------------------------------|
| 1. | Lift the output tray. |
| 2. | Pull to remove the output tray. |

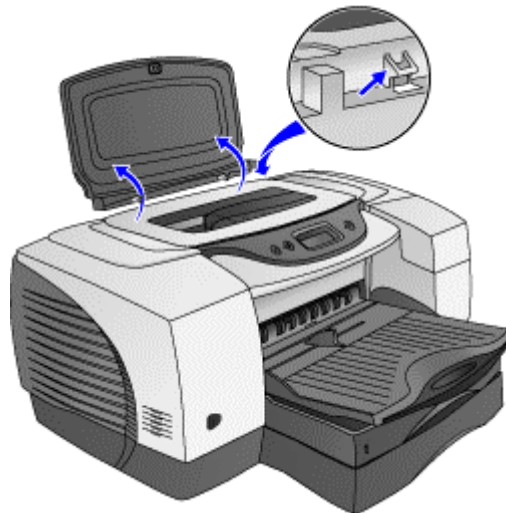
non V-coded parts

2nd bin SVC - C8108-67052



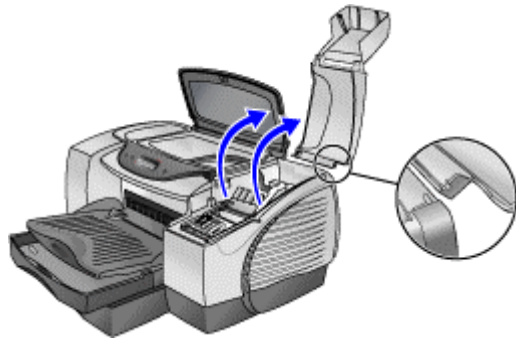
- | | |
|----|---------------------------------------|
| 1. | Lift the printer off the 2nd bin SVC. |
|----|---------------------------------------|

Assy. Door Main - C8108-67020



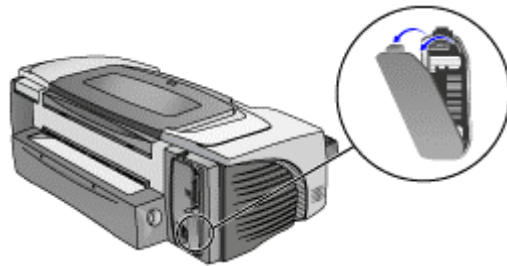
- | | |
|----|--|
| 1. | Lift the Assy. Door Main. |
| 2. | Release the two tabs and remove the Door Main. |

Assy. Access Door - C8108-67022



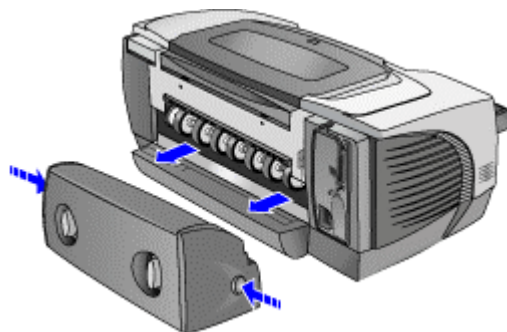
- | | |
|----|--|
| 1. | Lift the access door. |
| 2. | Loosen the two catches of the access door and remove it. |

Cover LIO SVC - C8108-67014



- | | |
|----|-------------------------------------|
| 1. | Remove the LIO cover from its slot. |
|----|-------------------------------------|

Duplexer SVC - C8108-67053

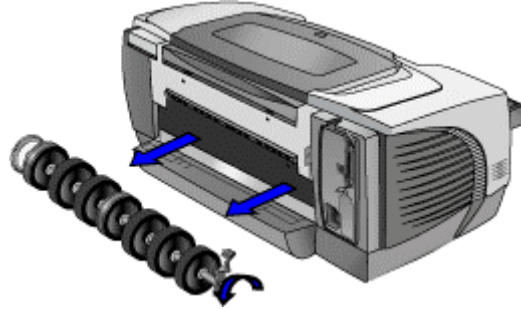


- | | |
|----|--|
| 1. | Push the buttons located on both sides of the auto-duplex unit to remove it. |
|----|--|

Assy. Pick Roller SVC - C8108-67039

First remove the following:

1. Auto-duplex unit/ rear access panel

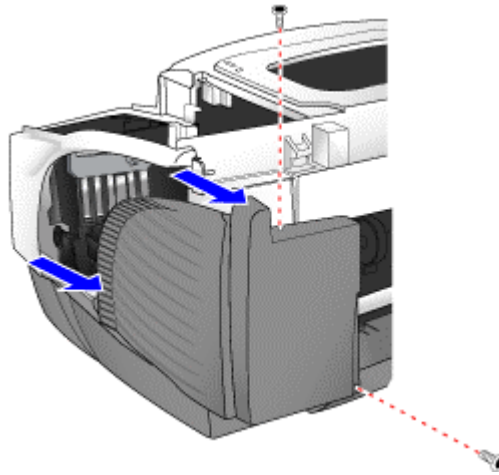


1.	Use long nosed pliers to turn the catch clockwise.
2.	Remove the Assy. Pick roller.

Case Left SVC - C8108-67016

First remove the following:

1. Auto-duplex unit/ rear access panel
2. Assy. Pick Roller

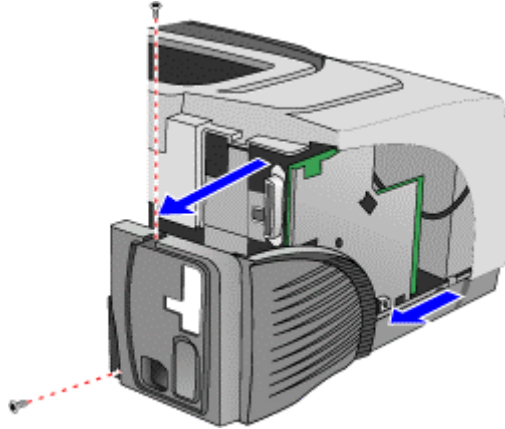


2 screws	1.	Use a T-20 bit screwdriver to remove the T-20 screws.
	2.	Remove Case Left.

Case Right SVC - C8108-67017

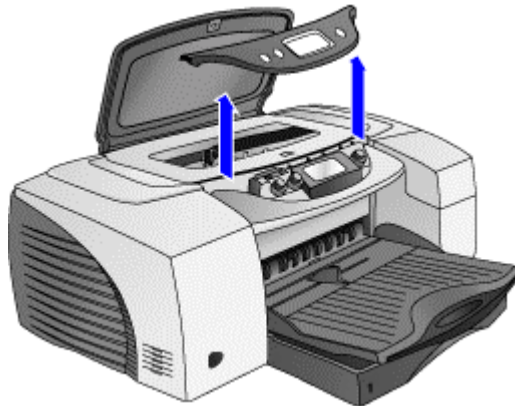
First remove the following:

1. Auto-duplex unit/ rear access panel
2. Assy. Pick Roller



2 screws	1.	Use a T-20 bit screwdriver to remove the T-20 screws.
	2.	Remove Case Right.

Bezel SVC - C8108-67015

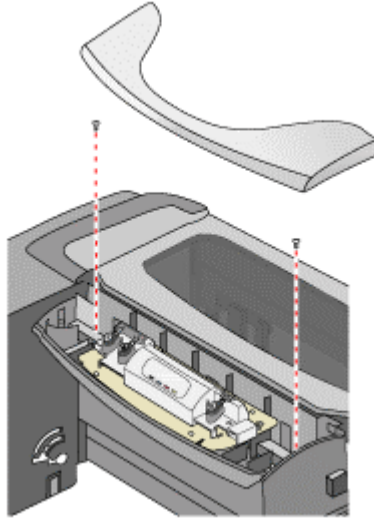


1.	Lift the Main door.
2.	Use a flathead screwdriver to release the six catches and remove the Bezel.

Cover Key panel - C8108-67018

First remove the following:

1. Bezel

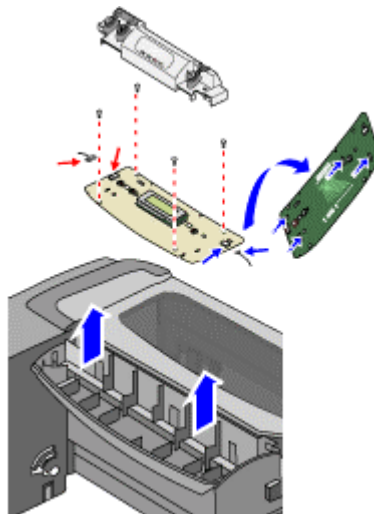


2 screws	1.	Using a screwdriver remove the T-10 screws.
	2.	Remove the cover key panel.

Assy. Lightpipe SVC and PCA Key panel - C8108-67021 & C8108-67007

First remove the following:

1. Bezel
2. Cover key panel

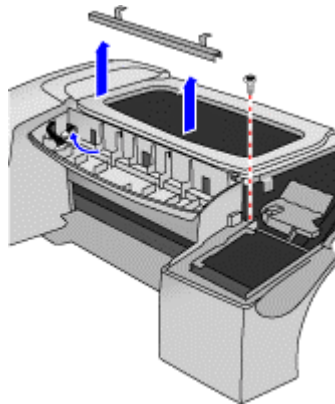


4 screws	1.	Using a screwdriver remove the T-10 screws.
	2.	Pull out the harness.
	3.	Release the four catches located on the back.
	4.	Remove the Assy. lightpipe and the PCA key panel.

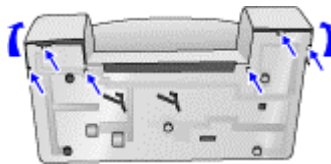
Assy. Case Main SVC - C8108-67019

First remove the following:

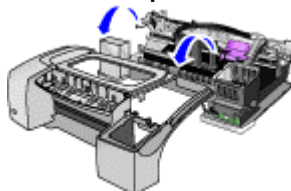
1. Assy. Tray Main
2. Assy. Output tray
3. Assy. Door Main
4. Assy. Access Door
5. Case Left
6. Case Right
7. Bezel
8. Cover Key Panel
9. Assy. Lightpipe & PCA key panel



Step 1



Step 2



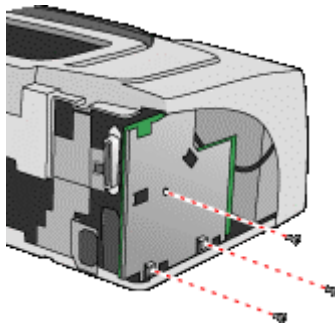
Step 3

1 screw	1.	Remove the T-20 screw and push the cable through the slot.
	2.	Use a flathead screwdriver to release the six locks located at the bottom of the printer.
	3.	Remove the Assy. Case Main.

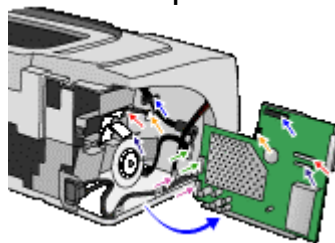
PCA Assy. Logic SVC - C8108-67005

First remove the following:

1. Auto-duplex unit/ rear access panel
2. Assy. Pick Roller
3. Case Right



Step 1



Step 2

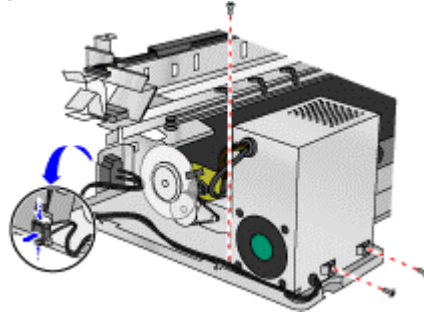
3 screws	1.	Remove the T-10 screws.
	2.	Pull the harness.
	3.	Remove the flexi cable.
	4.	Pull out the harness and the flexi cable.

PCA Power Supply SVC - C8108-67004

First remove the following:

1. Assy. Tray Main
2. Assy. Output tray
3. Assy. Door Main
4. Assy. Access Door
5. Case Left
6. Case Right

7. Bezel
8. Cover Key Panel
9. Assy. Lightpipe & PCA key panel
10. Assy. Case Main
11. PCA Assy. Logic

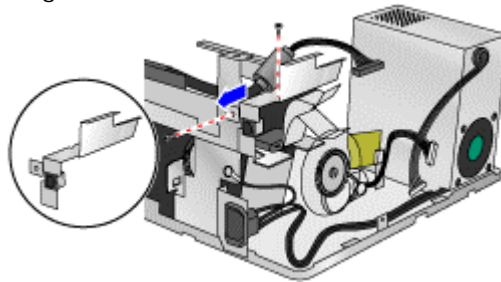


3 screws	1.	Remove the T-10 screws.
1 screw	2.	Remove the T-20 screw to remove the green harness.
	3.	Use a flathead screwdriver to remove the power harness.
	4.	Remove the power supply unit.

Assy. USB SVC- C8108-67006

First remove the following:

1. Assy. Tray Main
2. Assy. Output tray
3. Assy. Door Main
4. Assy. Access Door
5. Case Left
6. Case Right
7. Bezel
8. Cover Key Panel
9. Assy. Lightpipe & PCA key panel
10. Assy. Case Main
11. PCA Assy. Logic



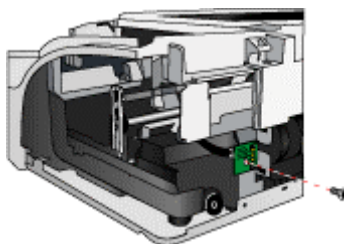
2 screws	1.	Remove the T-10 screws.
----------	----	-------------------------

	2.	Detach the Assy. USB SVC.
--	----	---------------------------

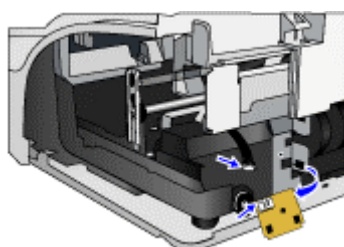
PCA Duplexer Interconnect - C8108-67031

First remove the following:

1. Assy. Door Main
2. Auto-duplex unit/ rear access panel
3. Assy. Pick roller
4. Case Left



Step 1



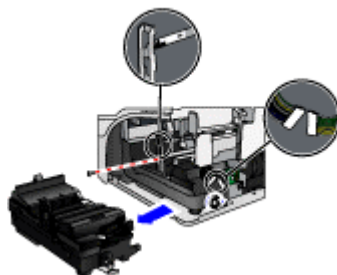
Step 2

1 screw	1.	Remove the T-10 screw.
	2.	Turn the Duplexer Interconnect unit to pull out the harness.

Assy. Service Station - C8108-67011

First remove the following:

1. Assy. Door Main
2. Auto-duplex unit/ rear access panel
3. Assy. Pick roller
4. Case Left

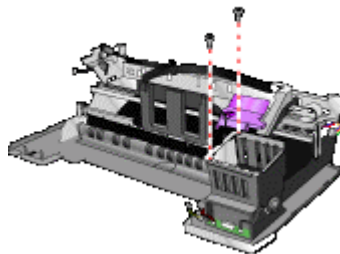


1 screw	1.	Remove the T-10 screw.
	2.	Slide out the Encoder strip from its slot in the Encoder holder.
	3.	Remove the Encoder holder.
	4.	Use manual uncap, if necessary.
	5.	Pull out the two harnesses.
	6.	Remove the Assy. Service station.

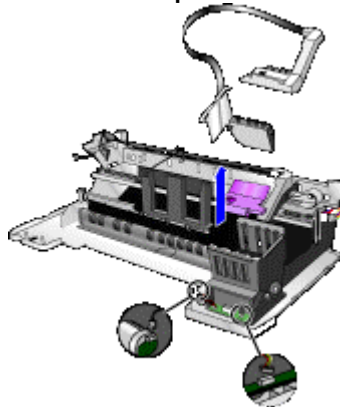
Assy. Ink Supply Station - C8108-67013

First remove the following:

1. Assy. Tray Main
2. Assy. Output tray
3. Assy. Door Main
4. Assy. Access Door
5. Auto-duplex unit/ rear access panel
6. Assy. Pick roller
7. Case Left
8. Bezel
9. Cover Key Panel
10. Assy. Lightpipe & PCA key panel
11. Assy. Case Main
12. PCA Duplexer interconnect
13. Assy. Service station



Step 1



Step 2

3 screws	1.	Remove the T-10 screws.
----------	----	-------------------------

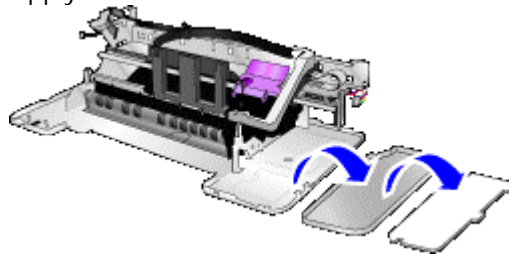
	2.	Pull out the (Black and white) harness and the motor harness.
	3.	Use long nosed pliers to cut the clip to remove the harness.
	4.	Remove the ink supply station.

Remove Ink Supply Station - C8108-67013

Base Absorber/Basin SVC - C8108-67003

First remove the following:

1. Assy. Tray Main
2. Assy. Output tray
3. Assy. Door Main
4. Assy. Access Door
5. Auto-duplex unit/ rear access panel
6. Assy. Pick roller
7. Case Left
8. Bezel
9. Cover Key Panel
10. Assy. Lightpipe & PCA key panel
11. Assy. Case Main
12. PCA Duplexer interconnect
13. Assy. Service station
14. Assy. Ink supply station

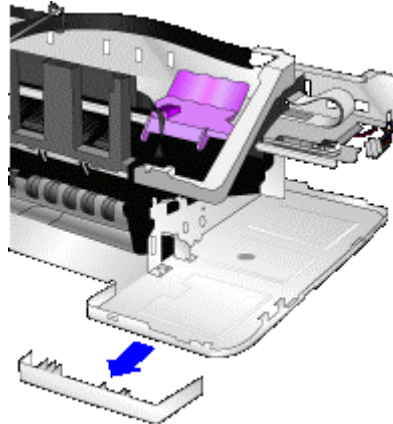


1.	Remove the base absorber.
2.	Remove the Basin SVC.

Bottom Cover - Main Case SVC - C8108-67023

First remove the following:

1. Assy. Tray Main
2. Assy. Output tray
3. Assy. Door Main
4. Assy. Access Door
5. Auto-duplex unit/ rear access panel
6. Assy. Pick roller
7. Case Left
8. Bezel
9. Cover Key Panel
10. Assy. Lightpipe & PCA key panel
11. Assy. Case Main
12. PCA Duplexer interconnect
13. Assy. Service station
14. Assy. Ink supply station
15. Base absorber/ basin SVC



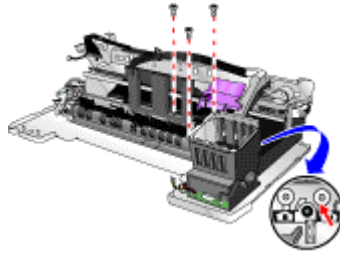
- | | |
|----|---|
| 1. | Use long nosed pliers to push the two tabs located on the bottom cover. |
| 2. | Remove the Bottom Cover Main Case SVC. |

Holder-raceway/hanger SVC and Assy. Replaceable IDS SVC - C8108-67024 & C8108-67012

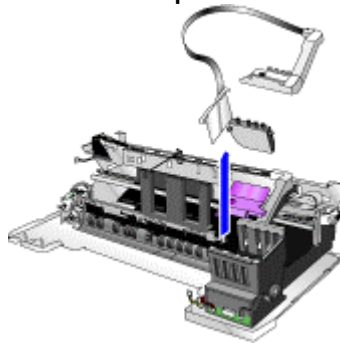
First remove the following:

1. Assy. Tray Main
2. Assy. Output tray
3. Assy. Door Main
4. Assy. Access Door
5. Auto-duplex unit/ rear access panel
6. Assy. Pick roller
7. Case Left
8. Case Right

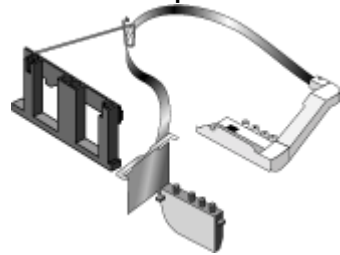
9. Bezel
10. Cover Key Panel
11. Assy. Lightpipe & PCA key panel
12. Assy. Case Main
13. Assy. Service station



Step 1



Step 2



Step 3

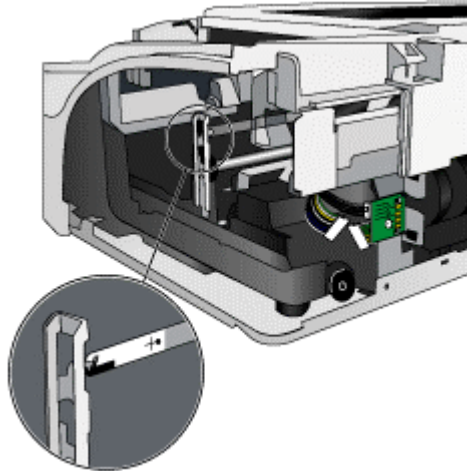
5 screws	1.	Remove the T-10 screws.
	2.	Lift the printhead access latch to remove the hanger SVC.
	3.	Separate the hanger SVC and the Assy. Replaceable IDS.

Encoder Strip - C8108-67010

First remove the following:

1. Assy. Tray Main
2. Assy. Output tray
3. Assy. Door Main
4. Assy. Access Door
5. Auto-duplex unit/ rear access panel
6. Assy. Pick roller
7. Case Left
8. Case Right

9. Bezel Cover Key Panel
10. Assy. Lightpipe & PCA key panel
11. Assy. Case Main
12. PCA Duplexer interconnect
13. Assy. Service station
14. Assy. Ink supply station



1.	Remove the Encoder strip from its slot.
2.	Remove the Encoder strip from its slot in the Encoder holder.
3.	Slide out the Encoder strip.