



Hewlett Packard
Enterprise

HPE Apollo 4200 Gen9 Server

Maintenance and Service Guide

Abstract

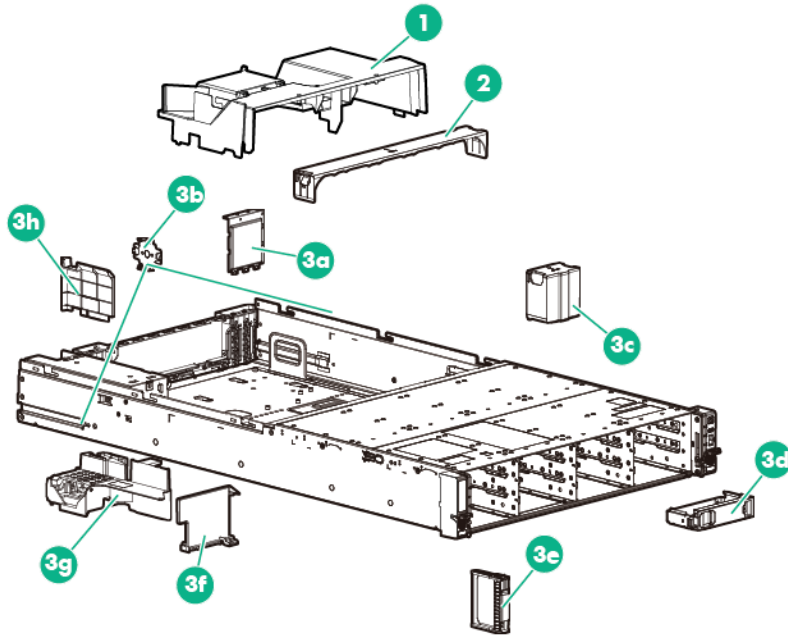
This guide describes identification and maintenance procedures, diagnostic tools, specifications and requirements for hardware components and software. This guide is for an experienced service technician. Hewlett Packard Enterprise assumes that you are qualified in the servicing of computer equipment, trained in recognizing hazards in products, and are familiar with weight and stability precautions.

Part Number: 807313-003
November 2016
Edition: 4

Illustrated parts catalog

Mechanical components

Hewlett Packard Enterprise continually improves and changes product parts. For complete and current supported parts information, see the Hewlett Packard Enterprise PartSurfer website (<http://www.hpe.com/info/partssurfer>).



Item	Description	Spare part number	Customer self repair (on page 6)
1	Air baffle	813583-001	Mandatory ¹
2	Fan cage cover	813582-001	Mandatory ¹
3	Miscellaneous mechanical spare parts kit	809955-001	Mandatory ¹
	a) Air blocker for the onboard PCIe expansion slots 5-7	—	—
	b) Chassis retention bracket	—	—
	c) Fan blank	—	—
	d) LFF drive blank	—	—
	e) SFF drive blank	—	—
	f) Air blocker for the front drive cage 2 backplane	—	—
	g) Cable management holder	—	—
	h) FlexibleLOM blank	—	—

¹Mandatory—Parts for which customer self repair is mandatory. If you request Hewlett Packard Enterprise to replace these parts, you will be charged for the travel and labor costs of this service.

²Optional—Parts for which customer self repair is optional. These parts are also designed for customer self repair. If, however, you require that Hewlett Packard Enterprise replace them for you, there may or may not be additional charges, depending on the type of warranty service designated for your product.

³No—Some Hewlett Packard Enterprise parts are not designed for customer self repair. In order to satisfy the customer warranty, Hewlett Packard Enterprise requires that an authorized service provider replace the part. These parts are identified as "No" in the Illustrated Parts Catalog.

¹Obligatoire—Pièces pour lesquelles le client doit procéder lui-même aux réparations. Si vous demandez à Hewlett Packard Enterprise de procéder au remplacement de ces pièces, les frais de transport et de main d'œuvre pour ce service vous seront facturés.

²Facultatif—Pièces pour lesquelles une réparation par le client est facultative. Ces pièces sont également conçues pour que le client puisse procéder lui-même aux réparations. Cependant, les frais supplémentaires engendrés par le remplacement de ces pièces par Hewlett Packard Enterprise dépendent du type de service de garantie désigné pour votre produit.

³Non—Certaines pièces Hewlett Packard Enterprise ne sont pas conçues pour être remplacées par le client. Afin de se conformer aux exigences de la garantie la garantie du client, Hewlett Packard Enterprise demande à un fournisseur de services agréé de procéder au remplacement de la pièce. Ces pièces sont signalées par le mot « Non » dans le Catalogue de pièces illustré.

¹Obbligatorio—Parti per le quali il cliente è tenuto a effettuare autonomamente la riparazione. Se si richiede l'intervento di Hewlett Packard Enterprise per la sostituzione di queste parti, al cliente verranno addebitate le spese di viaggio e manodopera dell'operazione.

²Facoltativo—Parti per le quali la riparazione in autonomia da parte del cliente è facoltativa. Queste parti sono progettate per consentire anche la riparazione da parte del cliente. Tuttavia, se il cliente richiede l'intervento di Hewlett Packard Enterprise per la sostituzione, potrebbero essere addebitate spese aggiuntive a seconda del tipo di garanzia in assistenza previsto per il prodotto.

³No—Alcune parti Hewlett Packard Enterprise non sono progettate la riparazione in autonomia da parte del cliente. In base a quanto previsto dalla garanzia per il cliente, Hewlett Packard Enterprise richiede l'intervento di un tecnico autorizzato per la sostituzione della parte. Queste parti sono contrassegnate con "No" nel catalogo parti illustrato.

¹Zwingend—Teile, für die das Customer Self Repair-Verfahren zwingend vorgegeben ist. Wenn Sie den Austausch dieser Teile von Hewlett Packard Enterprise vornehmen lassen, werden Ihnen die Anfahrt- und Arbeitskosten für diesen Service berechnet.

²Optional—Teile, für die das Customer Self Repair-Verfahren optional ist. Diese Teile sind auch für Customer Self Repair ausgelegt. Wenn Sie jedoch den Austausch dieser Teile von Hewlett Packard Enterprise vornehmen lassen möchten, können bei diesem Service je nach den für Ihr Produkt vorgesehenen Garantiebedingungen zusätzliche Kosten anfallen.

³Nein—Einige Hewlett Packard Enterprise Teile sind nicht für Customer Self Repair ausgelegt. Um den Garantieanspruch des Kunden zu erfüllen, muss das Teil von einem Hewlett Packard Enterprise Servicepartner ersetzt werden. Im illustrierten Teilekatalog sind diese Teile mit „No“ bzw. „Nein“ gekennzeichnet.

¹Obligatorio—Componentes cuya reparación por parte del usuario es obligatoria. Si solicita a Hewlett Packard Enterprise que realice la sustitución de estos componentes, tendrá que hacerse cargo de los gastos de desplazamiento y de mano de obra de dicho servicio.

²Opcional—Componentes cuya reparación por parte del usuario es opcional. Estos componentes también están diseñados para que puedan ser reparados por el usuario. Sin embargo, si precisa que Hewlett Packard Enterprise realice su sustitución, puede o no conllevar costes adicionales, dependiendo del tipo de servicio de garantía correspondiente al producto.

³No—Algunos componentes de Hewlett Packard Enterprise no están diseñados para que puedan ser reparados por el usuario. Para que el usuario haga valer su garantía, Hewlett Packard Enterprise pone como condición que un proveedor de servicios autorizado realice la sustitución de estos componentes. Dichos componentes se identifican con la palabra "No" en el catálogo ilustrado de componentes.

¹Verplicht—Onderdelen die de klant zelf moet vervangen. Als u Hewlett Packard Enterprise vraagt deze onderdelen te vervangen, worden er reis- en arbeidskosten voor deze service in rekening gebracht.

²Optioneel—Onderdelen die de klant zelf kan vervangen. Deze onderdelen zijn ook ontworpen om door de klant zelf te worden vervangen. Als u Hewlett Packard Enterprise verzoekt om deze te vervangen, kan het zijn dat hiervoor extra kosten in rekening worden gebracht, afhankelijk van het soort garantie dat op uw product van toepassing is.

³Geen—Sommige onderdelen van Hewlett Packard Enterprise zijn niet ontworpen om door de klant zelf te worden vervangen. Om te voldoen aan de garantievooraarden eist Hewlett Packard Enterprise dat een geautoriseerde serviceverlener het onderdeel vervangt. Deze onderdelen worden aangeduid met 'Geen' in de geïllustreerde onderdelencatalogus.

¹Obrigatório—Peças cujo reparo feito pelo cliente é obrigatório. Se desejar que a Hewlett Packard Enterprise substitua essas peças, serão cobradas as despesas de transporte e mão-de-obra do serviço.

²Opcional—Peças cujo reparo feito pelo cliente é opcional. Essas peças também são projetadas para o reparo feito pelo cliente. No entanto, se desejar que a Hewlett Packard Enterprise as substitua, pode haver ou não a cobrança de taxa adicional, dependendo do tipo de serviço de garantia destinado ao produto.

³Não—Algumas peças da Hewlett Packard Enterprise não são projetadas para o reparo feito pelo cliente. A fim de cumprir a garantia do cliente, a Hewlett Packard Enterprise exige que um técnico autorizado substitua a peça. Essas peças estão identificadas com a marca "No" (Não), no catálogo de peças ilustrado.

¹Mandatory : 必須 — カスタマーセルフリペアが必須の部品。当該部品について、もしもお客様がHewlett Packard Enterpriseに交換作業を依頼される場合には、その修理サービスに関する交通費および人件費がお客様に請求されます。

²Optional : 任意 — カスタマーセルフリペアが任意である部品。この部品もカスタマーセルフリペア用です。当該部品について、もしもお客様がHewlett Packard Enterpriseに交換作業を依頼される場合には、お買い上げの製品に適用される保証サービス内容の範囲内においては、別途費用を負担していただくことなく保証サービスを受けることができます。

³No : 除外 — Hewlett Packard Enterprise製品の一部の部品は、カスタマーセルフリペアの対象外です。製品の保証を継続するためには、Hewlett Packard EnterpriseまたはHewlett Packard Enterprise正規保守代理店による交換作業が必須となります。部品カタログには、当該部品がカスタマーセルフリペア除外品である旨が記載されています。

¹Mandatory — 客户必须自行维修的部件。如果您请求 Hewlett Packard Enterprise 更换这些部件，则必须为该服务支付差旅费和人工费用。

²Optional — 客户可以选择是否自行维修的部件。这些部件也是为客户自行维修设计的。不过，如果您要求 Hewlett Packard Enterprise 为您更换这些部件，则根据为您的产品指定的保修服务类型，Hewlett Packard Enterprise 可能收取或不再收取任何附加费用。

³No — 某些 Hewlett Packard Enterprise 部件的设计并未考虑客户自行维修。为了满足客户保修的需要，Hewlett Packard Enterprise 要求授权服务提供商更换相关部件。这些部件在部件图解目录中标记为“否”。

¹Mandatory — 客戶自行維修所使用的零件是強制性的。如果您要求 Hewlett Packard Enterprise 更換這些零件，Hewlett Packard Enterprise 將會向您收取此服務所需的外出費用與勞動成本。

²Optional — 客戶自行維修所使用的零件是選購的。這些零件也設計用於客戶自行維修之用。不過，如果您要求 Hewlett Packard Enterprise 為您更換，則可能需要也可能不需要負擔額外的費用，端視針對此產品指定的保固服務類型而定。

³No — 某些 Hewlett Packard Enterprise 零件沒有消費者可自行維修的設計。為符合客戶保固，Hewlett Packard Enterprise 需要授權的服務供應商更換零件。這些零件在圖示的零件目錄中，被標示為「否」。

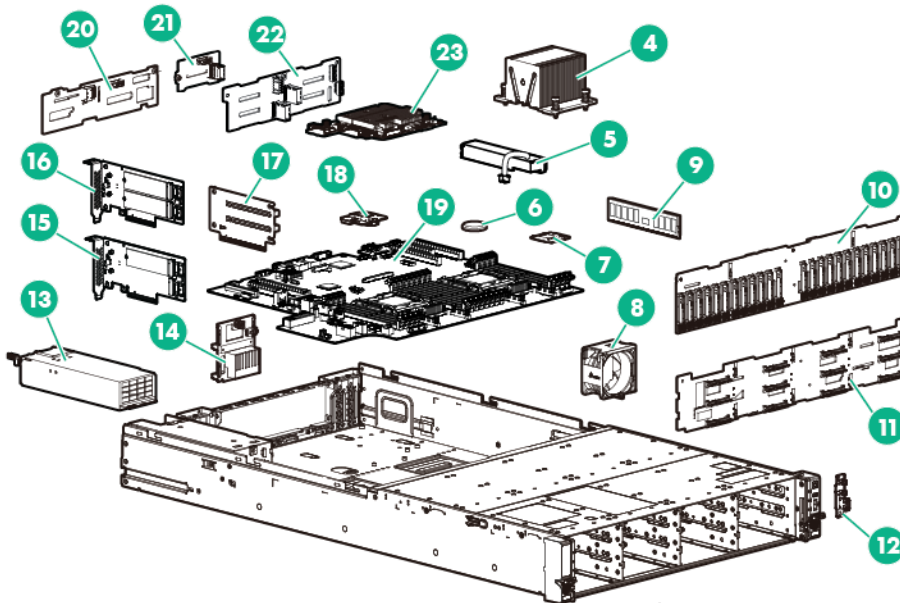
¹Mandatory — 고객 셀프 수리가 의무 사항인 필수 부품. 사용자가 Hewlett Packard Enterprise에 이 부품의 교체를 요청할 경우 해당 서비스에 대한 출장비 및 작업비가 청구됩니다.

²Optional — 고객 셀프 수리가 선택 사항인 부품. 이러한 부품들도 고객 셀프 수리가 가능하도록 설계되었습니다. 하지만 사용자가 Hewlett Packard Enterprise에 이러한 부품의 교체를 요청할 경우 사용자가 구입한 제품에 해당하는 보증 서비스 유형에 따라 추가 비용 없이 교체가 가능할 수 있습니다.

³No — 일부 Hewlett Packard Enterprise 부품은 고객 셀프 수리가 불가능하도록 설계되었습니다. Hewlett Packard Enterprise는 만족스러운 고객 보증을 위해 공인 서비스 제공업체를 통해 부품을 교체하도록 요구하고 있습니다. 이러한 부품들은 Illustrated Parts Catalog에 "No"라고 표시되어 있습니다.

System components

Hewlett Packard Enterprise continually improves and changes product parts. For complete and current supported parts information, see the Hewlett Packard Enterprise PartSurfer website (<http://www.hpe.com/info/partssurfer>).



Item	Description	Spare part number	Customer self repair (on page 6)
4	Heatsink	809952-001	Optional ²
5	Smart Storage Battery	827349-001	Mandatory ¹
6	System battery	319603-001	Mandatory ¹
7	Processors (include alcohol pad and thermal compound)**	—	—
	Intel Xeon E5-2600 v3 processors	—	—
a)	1.60 GHz Intel Xeon E5-2603 v3, 6C, 85 W	762441-001	Optional ²
b)	1.80 GHz Intel Xeon E5-2630L v3, 8C, 55 W*	762459-001	Optional ²
c)	1.80 GHz Intel Xeon E5-2650L v3, 12C, 65 W*	762461-001	Optional ²
d)	1.90 GHz Intel Xeon E5-2609 v3, 6C, 85 W*	762443-001	Optional ²
e)	2.00 GHz Intel Xeon E5-2683 v3, 14C, 120 W*	762453-001	Optional ²
f)	2.30 GHz Intel Xeon E5-2650 v3, 10C, 105 W*	762448-001	Optional ²
g)	2.30 GHz Intel Xeon E5-2670 v3, 12C, 120 W*	762450-001	Optional ²
h)	2.30 GHz Intel Xeon E5-2695 v3, 14C, 120 W*	762454-001	Optional ²
i)	2.30 GHz Intel Xeon E5-2698 v3, 16C, 135 W*	780760-001	Optional ²
j)	2.30 GHz Intel Xeon E5-2699 v3, 18C, 145 W*	780761-001	Optional ²
k)	2.40 GHz Intel Xeon E5-2620 v3, 6C, 85 W*	762445-001	Optional ²
l)	2.40 GHz Intel Xeon E5-2630 v3, 8C, 85 W*	762446-001	Optional ²

Item	Description	Spare part number	Customer self repair (on page 6)
	m) 2.50 GHz Intel Xeon E5-2680 v3, 12C, 120 W*	762451-001	Optional ²
	n) 2.60 GHz Intel Xeon E5-2640 v3, 8C, 90 W*	762447-001	Optional ²
	o) 2.60 GHz Intel Xeon E5-2660 v3, 10C, 105 W*	762449-001	Optional ²
	p) 2.60 GHz Intel Xeon E5-2690 v3, 12C, 135 W*	762452-001	Optional ²
	q) 2.60 GHz Intel Xeon E5-2685 v3, 12C, 120 W*	780759-001	Optional ²
	r) 2.60 GHz Intel Xeon E5-2697 v3, 14C, 145 W*	765154-001	Optional ²
	s) 3.00 GHz Intel Xeon E5-2623 v3, 4C, 105 W*	780762-001	Optional ²
	t) 3.20 GHz Intel Xeon E5-2667 v3, 8C, 135 W*	762457-001	Optional ²
	u) 3.40 GHz Intel Xeon E5-2643 v3, 6C, 135 W*	762456-001	Optional ²
	v) 3.50 GHz Intel Xeon E5-2637 v3, 4C, 135 W*	762455-001	Optional ²
	Intel Xeon E5-2600 v4 processors	—	—
	a) 1.70 GHz Intel Xeon E5-2603 v4, 6C, 85 W*	835599-001	Optional ²
	b) 1.70 GHz Intel Xeon E5-2609 v4, 8C, 85 W*	835600-001	Optional ²
	c) 1.70 GHz Intel Xeon E5-2650L v4, 14C, 65 W*	835609-001	Optional ²
	d) 1.80 GHz Intel Xeon E5-2630L v4, 10C, 55 W*	835608-001	Optional ²
	e) 2.00 GHz Intel Xeon E5-2660 v4, 14C, 105 W*	835605-001	Optional ²
	f) 2.10 GHz Intel Xeon E5-2620 v4, 8C, 85 W*	835601-001	Optional ²
	g) 2.10 GHz Intel Xeon E5-2683 v4, 16C, 120 W*	835614-001	Optional ²
	h) 2.10 GHz Intel Xeon E5-2695 v4, 18C, 120 W*	835615-001	Optional ²
	i) 2.20 GHz Intel Xeon E5-2630 v4, 10C, 85 W*	835602-001	Optional ²
	j) 2.20 GHz Intel Xeon E5-2650 v4, 12C, 105 W*	835604-001	Optional ²
	k) 2.20 GHz Intel Xeon E5-2698 v4, 20C, 135 W*	835617-001	Optional ²
	l) 2.20 GHz Intel Xeon E5-2699 v4, 22C, 145 W*	835618-001	Optional ²
	m) 2.30 GHz Intel Xeon E5-2697 v4, 18C, 145 W*	835616-001	Optional ²
	n) 2.40 GHz Intel Xeon E5-2640 v4, 10C, 90 W*	835603-001	Optional ²
	o) 2.40 GHz Intel Xeon E5-2680 v4, 14C, 120 W*	835606-001	Optional ²
	p) 2.60 GHz Intel Xeon E5-2623 v4, 4C, 85 W*	835610-001	Optional ²
	q) 2.60 GHz Intel Xeon E5-2690 v4, 14C, 135 W*	835607-001	Optional ²
	r) 2.60 GHz Intel Xeon E5-2697A v4, 16C, 145 W*	841035-001	Optional ²
	s) 3.20 GHz Intel Xeon E5-2667 v4, 8C, 135 W*	835613-001	Optional ²
	t) 3.40 GHz Intel Xeon E5-2643 v4, 6C, 135 W*	835612-001	Optional ²
	u) 3.50 GHz Intel Xeon E5-2637 v4, 4C, 135 W*	835611-001	Optional ²
8	Fan	809953-001	Mandatory ¹
9	DIMMs	—	—

Item	Description	Spare part number	Customer self repair (on page 6)
	DIMMs optimized for the Intel Xeon E5-2600 v3 processors	—	—
	a) 4 GB, single-rank x8 PC4-2133P-R	774169-001	Optional ²
	b) 8 GB, single-rank x4 PC4-2133P-R*	774170-001	Optional ²
	c) 8 GB, dual-rank x8 PC4-2133P-R*	774171-001	Optional ²
	d) 16 GB, dual-rank x4 PC4-2133P-R*	774172-001	Optional ²
	e) 16 GB, dual-rank x4 PC4-2133P-L*	774173-001	Optional ²
	f) 32 GB, dual-rank x4 PC4-2133P-R*	774175-001	Optional ²
	g) 32 GB, quad-rank x4 PC4-2133P-L*	774174-001	Optional ²
	DIMMs optimized for the Intel Xeon E5-2600 v4 processors	—	—
	a) 8 GB, single-rank x8 PC4-2400T-R*	819410-001	Optional ²
	b) 16 GB, single-rank x4 PC4-2400T-R*	846740-001	Optional ²
	c) 16 GB, dual-rank x4 PC4-2400T-R*	819411-001	Optional ²
	d) 32 GB, dual-rank x4 PC4-2400T-R*	819412-001	Optional ²
	e) 32 GB, dual-rank x4 PC4-2400T-L*	819414-001	Optional ²
	f) 64 GB, dual-rank x4 PC4-2400T-L*	819413-001	Optional ²
10	24-bay SFF front drive cage backplane	809948-001	Optional ²
11	12-bay LFF front drive cage backplane	809947-001	Optional ²
12	Front I/O board	824567-001	Optional ²
13	Power input modules	—	—
	a) HPE 800 W Flex Slot Platinum Hot-plug Power Supply	754381-001	Mandatory ¹
	b) HPE 800 W Flex Slot Titanium Hot-plug Power Supply*	754378-001	Mandatory ¹
	c) HPE 800 W Flex Slot -48 V DC Hot-plug Power Supply*	754382-001	Mandatory ¹
	d) HPE 800 W Flex Slot Universal Hot-plug Power Supply*	754379-001	Mandatory ¹
	e) HPE 1400 W Flex Slot Platinum Plus Hot-plug Power Supply*	754383-001	Mandatory ¹
14	Power pass-through board	809945-001	Optional ²
15	SATA M.2 SSD single module enablement kit	797907-001	Optional ²
	a) M.2 SSD enablement board	—	—
	b) M.2 SSD module	—	—
	c) SATA cable*	—	—
16	SATA M.2 SSD dual module enablement kit	797908-001	Optional ²
	a) M.2 SSD enablement board	—	—
	b) M.2 SSD modules (2)	—	—
	c) SATA cables (2)	—	—
17	Two-slot PCIe riser board	809951-001	Optional ²
18	Dedicated iLO management module	809944-001	Optional ²

Item	Description	Spare part number	Customer self repair (on page 6)
19	System boards (include alcohol pad and thermal compound)	—	—
	a) System board for Intel Xeon E5-2600 v3 processors	809943-001	Optional ²
	b) System board for Intel Xeon E5-2600 v3 and v4 processors*	851147-001	Optional ²
20	Four-bay LFF rear drive cage backplane	809949-001	Optional ²
21	Two-bay SFF rear drive cage backplane	809950-001	Optional ²
22	Six-bay SFF rear drive cage backplane	843308-001	Optional ²
23	Flexible Smart Array P840ar Controller	813586-001	Optional ²
24	Front drive Mini-SAS and power cable assemblies (cables are enclosed inside plastic cable tracks)	—	—
	a) LFF drive cable track assemblies*	809956-001	Optional ²
	b) SFF drive cable track assemblies*	813584-001	Optional ²
25	Smart Array P440 Controller Mini-SAS Y-cable for the front LFF/SFF drive cage 2*	849032-001	Mandatory ¹
26	Miscellaneous system cable kit	810246-001	Mandatory ¹
	a) Mini-SAS x4 cable for the four-bay LFF rear drive cage*	—	—
	b) Multiconnector drive signal cable for the two-bay SFF rear drive cage*	—	—
	c) Power Y-cable for the LFF/SFF rear drive cage and PCI riser cage*	—	—
	d) Ambient temperature sensor cable (for SFF drive configurations only)*	—	—
27	Controller cables for the four-bay LFF and two-bay SFF rear drive cages	841666-001	Mandatory ¹
	a) H240 Smart HBA Mini-SAS x4 cable*	—	—
	b) Smart Array P440 Controller Mini-SAS Y-cable*	—	—
28	Six-bay SFF rear drive cage cable kit	843309-001	Mandatory ¹
	a) Multiconnector drive signal cable*	—	—
	b) Mini-SAS x4 cable*	—	—
	c) Backplane sideband cable*	—	—
29	Trusted Platform Module	—	—
	a) TPM 1.2*	505836-001	No ³
	b) TPM 2.0*	812119-001	No ³

*Not shown

**All processors in this HPE ProLiant server must have the same cache size, speed, number of cores, and rated maximum power consumption.

¹Mandatory—Parts for which customer self repair is mandatory. If you request Hewlett Packard Enterprise to replace these parts, you will be charged for the travel and labor costs of this service.

²Optional—Parts for which customer self repair is optional. These parts are also designed for customer self repair. If, however, you require that Hewlett Packard Enterprise replace them for you, there may or may not be additional charges, depending on the type of warranty service designated for your product.

³No—Some Hewlett Packard Enterprise parts are not designed for customer self repair. In order to satisfy the customer warranty, Hewlett Packard Enterprise requires that an authorized service provider replace the part. These parts are identified as "No" in the Illustrated Parts Catalog.

¹Obligatoire—Pièces pour lesquelles le client doit procéder lui-même aux réparations. Si vous demandez à Hewlett Packard Enterprise de procéder au remplacement de ces pièces, les frais de transport et de main d'œuvre pour ce service vous seront facturés.

²Facultatif—Pièces pour lesquelles une réparation par le client est facultative. Ces pièces sont également conçues pour que le client puisse procéder lui-même aux réparations. Cependant, les frais supplémentaires engendrés par le remplacement de ces pièces par Hewlett Packard Enterprise dépendent du type de service de garantie désigné pour votre produit.

³Non—Certaines pièces Hewlett Packard Enterprise ne sont pas conçues pour être remplacées par le client. Afin de se conformer aux exigences de la garantie la garantie du client, Hewlett Packard Enterprise demande à un fournisseur de services agréé de procéder au remplacement de la pièce. Ces pièces sont signalées par le mot « Non » dans le Catalogue de pièces illustré.

¹Obbligatorio—Parti per le quali il cliente è tenuto a effettuare autonomamente la riparazione. Se si richiede l'intervento di Hewlett Packard Enterprise per la sostituzione di queste parti, al cliente verranno addebitate le spese di viaggio e manodopera dell'operazione.

²Facoltativo—Parti per le quali la riparazione in autonomia da parte del cliente è facoltativa. Queste parti sono progettate per consentire anche la riparazione da parte del cliente. Tuttavia, se il cliente richiede l'intervento di Hewlett Packard Enterprise per la sostituzione, potrebbero essere addebitate spese aggiuntive a seconda del tipo di garanzia in assistenza previsto per il prodotto.

³No—Alcune parti Hewlett Packard Enterprise non sono progettate la riparazione in autonomia da parte del cliente. In base a quanto previsto dalla garanzia per il cliente, Hewlett Packard Enterprise richiede l'intervento di un tecnico autorizzato per la sostituzione della parte. Queste parti sono contrassegnate con "No" nel catalogo parti illustrato.

¹Zwingend—Teile, für die das Customer Self Repair-Verfahren zwingend vorgegeben ist. Wenn Sie den Austausch dieser Teile von Hewlett Packard Enterprise vornehmen lassen, werden Ihnen die Anfahrt- und Arbeitskosten für diesen Service berechnet.

²Optional—Teile, für die das Customer Self Repair-Verfahren optional ist. Diese Teile sind auch für Customer Self Repair ausgelegt. Wenn Sie jedoch den Austausch dieser Teile von Hewlett Packard Enterprise vornehmen lassen möchten, können bei diesem Service je nach den für Ihr Produkt vorgesehenen Garantiebedingungen zusätzliche Kosten anfallen.

³Nein—Einige Hewlett Packard Enterprise Teile sind nicht für Customer Self Repair ausgelegt. Um den Garantieanspruch des Kunden zu erfüllen, muss das Teil von einem Hewlett Packard Enterprise Servicepartner ersetzt werden. Im illustrierten Teilekatalog sind diese Teile mit „No“ bzw. „Nein“ gekennzeichnet.

¹Obligatorio—Componentes cuya reparación por parte del usuario es obligatoria. Si solicita a Hewlett Packard Enterprise que realice la sustitución de estos componentes, tendrá que hacerse cargo de los gastos de desplazamiento y de mano de obra de dicho servicio.

²Opcional—Componentes cuya reparación por parte del usuario es opcional. Estos componentes también están diseñados para que puedan ser reparados por el usuario. Sin embargo, si precisa que Hewlett Packard Enterprise realice su sustitución, puede o no conllevar costes adicionales, dependiendo del tipo de servicio de garantía correspondiente al producto.

³No—Algunos componentes de Hewlett Packard Enterprise no están diseñados para que puedan ser reparados por el usuario. Para que el usuario haga valer su garantía, Hewlett Packard Enterprise pone como condición que un proveedor de servicios autorizado realice la sustitución de estos componentes. Dichos componentes se identifican con la palabra "No" en el catálogo ilustrado de componentes.

¹Verplicht—Onderdelen die de klant zelf moet vervangen. Als u Hewlett Packard Enterprise vraagt deze onderdelen te vervangen, worden er reis- en arbeidskosten voor deze service in rekening gebracht.

²Optioneel—Onderdelen die de klant zelf kan vervangen. Deze onderdelen zijn ook ontworpen om door de klant zelf te worden vervangen. Als u Hewlett Packard Enterprise verzoekt om deze te vervangen, kan het zijn dat hiervoor extra kosten in rekening worden gebracht, afhankelijk van het soort garantie dat op uw product van toepassing is.

³Geen—Sommige onderdelen van Hewlett Packard Enterprise zijn niet ontworpen om door de klant zelf te worden vervangen. Om te voldoen aan de garantievoorwaarden eist Hewlett Packard Enterprise dat een geautoriseerde serviceverlener het onderdeel vervangt. Deze onderdelen worden aangeduid met 'Geen' in de geïllustreerde onderdelencatalogus.

¹Obrigatório—Peças cujo reparo feito pelo cliente é obrigatório. Se desejar que a Hewlett Packard Enterprise substitua essas peças, serão cobradas as despesas de transporte e mão-de-obra do serviço.

²Opcional—Peças cujo reparo feito pelo cliente é opcional. Essas peças também são projetadas para o reparo feito pelo cliente. No entanto, se desejar que a Hewlett Packard Enterprise as substitua, pode haver ou não a cobrança de taxa adicional, dependendo do tipo de serviço de garantia destinado ao produto.

³Não—Algumas peças da Hewlett Packard Enterprise não são projetadas para o reparo feito pelo cliente. A fim de cumprir a garantia do cliente, a Hewlett Packard Enterprise exige que um técnico autorizado substitua a peça. Essas peças estão identificadas com a marca "No" (Não), no catálogo de peças ilustrado.